

TPM-3321

Arestech

IP65 700/1500nits 21.5" LED Industrial Stainless Multi-touch Display



Features

- IP65 Protected Stainless steel Flat Panel Design
- High Brightness 700/1500nits
- 10-points Multi-touch Display (Default: 2)
- VGA DVI HDMI input

Applications

- CNC Machines
- Embedded Display System
- Outdoor Kisok
- Vending / Ticketing Machines

→ Packing List

Description
1 x TPM-3321
1 x Driver CD
1 x USB Cable
1 x VGA Cable
1 x Power Adapter (AC-to-DC, 12 V @ 5.2 A, 65 W)
12 x Panel Mounting Screws

→ Optional Items

Part No.	Description
ACS-PS-US	Power Cable 3-pin, 180 cm, USA Type
ACS-PS-EU	Power Cable 3-pin, 180 cm, Euro Type
ACS-PS-CN	Power Cable 3-pin, 180 cm, China Type
ACS-100-STD	VESA Table Stand

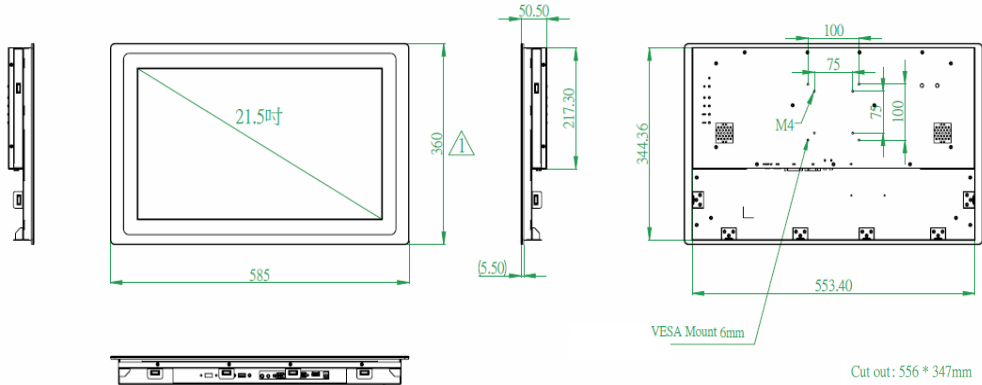
→ Ordering Information

Part No.	Description
TPM-3321P-1A1	21.5" FHD, IP65 Stainless Flat Panel, 700nits, Projected Capacitive Multi-touch Display
TPM-3321P-2A1	21.5" FHD, IP65 Stainless Flat Panel, 1500nits Projected Capacitive Multi-touch Display

TPM-3321

Arestech

→ Dimensions



→ Specifications

	Model	TPM-3321P-1A1	TPM-3321P-2A1
Display	Panel Size	21.5" LCD Panel	
	Resolution	1920 x 1080 (FHD)	
	Viewing Angle	85 x 85 (H) x 80 x 80 (V)	
	Brightness	700 (cd/m2)	1500 (cd/m2)
	Color Support	16.7 M	
	Contrast Ratio	1000:1	
	Response Time	5 (msec)	
Touchscreen	Type	Projected Capacitive	
	Surface Hardness	7 Mohs	
	Transparency	90% (±3%)	
I/O Interface	Video Interface	1 VGA, DVI-D, HDMI	
	Touch Interface	1 USB	
	Audio Interface	Audio Jack, with 2W Amplifier	
OSD Control	Function Keys	5 Keys: Menu, Up, Down, Auto Adjust, Monitor Power on/off Menu Functions: Brightness, Contrast, Color Adjust, Color Temp, Auto Color, Language	
Power	Power Connector	DC Jack	
	Power Input	12V DC input, Single Power Source	
	Power Consumption (Typical)	28W	
Environment	Operating Temperature	0~50° C (32~122° F)	
	Storage Temperature	-30~70° C (-22~158° F)	
	Humidity	5~95% @ 40° C, Non-condensing	
	Vibration	5-500 Hz, 0.026 G ² /Hz, 2.16 Grms, X, Y, Z, 1 hour per axis	
Certification	Certification	CE, FCC Class A	
General	Ingress Protection	IP65 (Stainless steel front cover)	
	Dimensions (W x H x D)	585 x 360 x 50.5 mm (23.03" x 14.17" x 1.99")	
	Weight	8.16 kg (17.99 lb)	
	Operating System	Windows XP/7/8.1/10, WES7-E/P, WE8S, Linux Fedora, Ubuntu	

Assured Systems

Assured Systems is a leading technology company with over 1,500 regular clients in 80 countries, deploying over 85,000 systems to a diverse customer base in 12 years of business. We offer high-quality and innovative rugged computing, display, networking and data collection solutions to the embedded, industrial, and digital-out-of-home market sectors.

US

sales@assured-systems.com

Sales: +1 347 719 4508
Support: +1 347 719 4508

1309 Coffeen Ave
Ste 1200
Sheridan
WY 82801
USA

EMEA

sales@assured-systems.com

Sales: +44 (0)1785 879 050
Support: +44 (0)1785 879 050

Unit A5 Douglas Park
Stone Business Park
Stone
ST15 0YJ
United Kingdom

VAT Number: 120 9546 28
Business Registration Number: 07699660