

PPC-Z197

Arestech

19" IP66/69K Waterproof Stainless Steel 316 5 Wire Resistive Touch Panel PC with kabylake-U Intel® Core™ i5-7200U Processor



Features

- 19" SXGA LCD Panel with Projected Capacitive Touch/ Resistive Touch
- Stainless Steel SUS316, Full IP66/69K Waterproof
- Support VESA Mounting and Yoke Mounting
- Completely Flat Front Panel Design

Applications

- Food & Beverage Processing Application
- Hospitality and Catering Service
- Pharmaceutical and Biopharmaceutical Equipment
- Animal Feed Production Facility
- Chemical, Gas & Oil Critical Environment

→ Packing List

| Description |
|--------------|
| 1 x PPC-Z197 |

→ Optional Items

| Part No. | Description |
|---------------|--------------------------------------------------------------------------------------------|
| APW-60M12V-01 | 12V, 60W, 5A, 5-pin M12 Connector (US) |
| APW-60M12V-02 | 12V, 60W, 5A, 5-pin M12 Connector (EU) |
| AKT-USB2M12 | M12 Connector to USB2.0 Cable, 2m |
| AKT-USB32M12 | M12 Connector to USB3.0 Cable, 2m |
| AKT-COM2M12 | M12 Connector to DB9 Cable, 2m |
| AKT-LAN2M12 | M12 Connector to LAN Cable, 2m |
| AWD-WF006 | wifi 802.11 a/b/g/n/ac/BT4.0 (2T2R) + 2 IP66 antenna(dual band), miniPCIe Half size |
| AWD-WF007 | wifi 802.11 b/g/n (1T1R) + 1 IP66 antenna(dual band), Half size miniPCIe, for PPC Z-series |

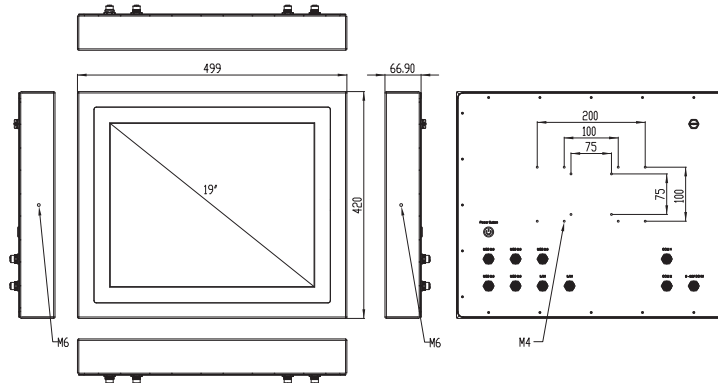
→ Ordering Information

| Part No. | Description |
|-----------------|---------------------------------------------------------------------------------------------------------------------------------------------------------------------------------------------------------------------------------------------------------------|
| PPC-Z197P-B61A1 | 19" 4:3 (1280 x 1024), 350nits, Stainless Steel 316 Full IP66/69K Protection, Fanless Panel PC with Intel® Core i5-7200U CPU, Projected Capacitive Touch, 4G RAM, 128G SSD, 4 USB 3.0, 2 USB 2.0, 1 RS232, 1 RS-232/422/485, 2 GbE, DC 9-36 V (M12 Connector) |
| PPC-Z197P-B62A1 | 19" 4:3 (1280 x 1024), 350nits, Stainless Steel 316 Full IP66/69K Protection, Fanless Panel PC with Intel® Core i3-7100U CPU, Projected Capacitive Touch, 4G RAM, 128G SSD, 4 USB 3.0, 2 USB 2.0, 1 RS232, 1 RS-232/422/485, 2 GbE, DC 9-36 V (M12 Connector) |
| PPC-Z197R-B61A1 | 19" 4:3 (1280 x 1024), 350nits, Stainless Steel 316 Full IP66/69K Protection, Fanless Panel PC with Intel® Core i5-7200U CPU, 5 Wire Resistive Touch, 4G RAM, 128G SSD, 4 USB 3.0, 2 USB 2.0, 1 RS232, 1 RS-232/422/485, 2 GbE, DC 9-36 V (M12 Connector) |
| PPC-Z197R-B62A1 | 19" 4:3 (1280 x 1024), 350nits, Stainless Steel 316 Full IP66/69K Protection, Fanless Panel PC with Intel® Core i3-7100U CPU, 5 Wire Resistive Touch, 4G RAM, 128G SSD, 4 USB 3.0, 2 USB 2.0, 1 RS232, 1 RS-232/422/485, 2 GbE, DC 9-36 V (M12 Connector) |

www.arestech.com.tw

PPC-Z197

→ Dimensions



Arestech

→ Specifications

| | Model | PPC-Z197P-B61A1 | PPC-Z197P-B62A1 | PPC-Z197R-B61A1 | PPC-Z197R-B62A1 |
|------------------|---------------------------------|-------------------------------------------------------------------------|-------------------------|-------------------------|-------------------------|
| Processor System | CPU | Intel® Core® i5-7200U | Intel® Core® i3-7100U | Intel® Core® i5-7200U | Intel® Core® i3-7100U |
| | Frequency | Duad-Core up to 3.1 GHz | Duad-Core up to 2.4 GHz | Duad-Core up to 3.1 GHz | Duad-Core up to 2.4 GHz |
| | L2 Cache | Intel® Smart Cache 3 MB | | | |
| | System Chipset | N/A | | | |
| | BIOS | UEFI | | | |
| Memory | Technology | DDR4 2133 MHz SDRAM | | | |
| | Max. Capacity | 32 GB | | | |
| | Socket/ (On Board) | 2, (260-pin SO-DIMM) | | | |
| Display | Panel Size | 19" LCD Panel | | | |
| | Aspect Ratio | 4:3 | | | |
| | Resolution | 1280 x 1024 (SXGA) | | | |
| | Viewing Angle | 85 x 85 (H) x 80 x 80 (V) | | | |
| | Brightness | 350 (cd/m2) | | | |
| | Contrast Ratio | 1000:1 | | | |
| | VGA / HDMI / DP / DVI | N/A | | | |
| | Multi Display | LCD Panel | | | |
| Touchscreen | Touchscreen Type | Projected Capacitive Touch | | 5-wire Resistive Touch | |
| | Surface Hardness | 7 Mohs | | 3 Mohs | |
| | Durability | N/A | | 36 millions times | |
| | Transparency | 90% (±3%) | | 80% (±3%) | |
| I/O Interface | USB | 6, 4 USB 3.0, 2 USB 2.0, M12 Connector | | | |
| | Serial Port | 2, COM (1 RS-232, 1 RS-232/422/485), M12 Connector | | | |
| | Digital I/O | N/A | | | |
| | Ethernet | 2, GbE LAN ports (Intel® i219V and Intel® i211AT) | | | |
| | Others | N/A | | | |
| Expansion | miniPCIe/ M.2 Slot | 1, Mini PCIe (Full-size); 1, M.2 E Key 2230 (USB/ PCIe x1) | | | |
| | PCI/ PCIe Slot | N/A | | | |
| Audio | Connector | N/A | | | |
| Storage | HDD/SSD | 1, Internal 2.5" HDD/SSD | | | |
| | mSATA/ M.2 / eMMC | 1, M.2 M Key 2280 (SATA III / PCIe x4) | | | |
| Power | Power On Model | AT/ATX | | | |
| | Power Supply Voltage | 9-36 V DC input | | | |
| | Connector Type | M12 Connector | | | |
| | Power Consumption(Typical/Max.) | Typical : 1.9A @ 12V (22.8W), Max : 3.5A @ 12V (42W) | | | |
| | Battery | CR2032;3.3V | | | |
| Mounting | VESA Mount | 75mmx 75mm; 100mm x 100mm | | | |
| | Panel Mount | N/A | | | |
| | Others | Yoke Mount | | | |
| Environment | Operating Temperature | -20~60° C (-4~140° F) w/ Extended Operation Temp. RAM & SSD | | | |
| | Storage Temperature | -40~85° C (-40~185° F) | | | |
| | Humidity | 5~95% @ 40° C, non-condensing | | | |
| | Vibration | 5-500 Hz, 0.026 G ² /Hz, 2.16 Grms, X, Y, Z, 1 hour per axis | | | |
| | Shock | 20 G, IEC 60068-2-27, half sine, 11 ms duration | | | |
| General | Certification | TBD | | | |
| | Thermal Dissipation | Fanless | | | |
| | Material, Surface Finish | Stainless steel 316, Brush polish | | | |
| | Ingress Protection | Full IP66/IP69K Protection | | | |
| | Dimensions (L x W x H) | 499 X 420 X 66.9mm (16.65" X 16.54" X 2.63") | | | |
| | Net Weight | 10kg (22.04lb) | | | |
| | Operating System | Windows 10 IoT 64Bit, Linux kernal 4.0.x or above | | | |

Tel: +886-2-8287-9168 Fax: +886-2-8287-2577 Email: service@arestech.com.tw

Assured Systems

Assured Systems is a leading technology company with over 1,500 regular clients in 80 countries, deploying over 85,000 systems to a diverse customer base in 12 years of business. We offer high-quality and innovative rugged computing, display, networking and data collection solutions to the embedded, industrial, and digital-out-of-home market sectors.

US

sales@assured-systems.com

Sales: +1 347 719 4508
Support: +1 347 719 4508

1309 Coffeen Ave
Ste 1200
Sheridan
WY 82801
USA

EMEA

sales@assured-systems.com

Sales: +44 (0)1785 879 050
Support: +44 (0)1785 879 050

Unit A5 Douglas Park
Stone Business Park
Stone
ST15 0YJ
United Kingdom

VAT Number: 120 9546 28
Business Registration Number: 07699660