



L-9015

Ethernet-Based 7-ch RTD Input Module



Features

- ◆ Support PT100, PT1000, Balco 500, NI604, NI1000 RTD Types
- ◆ Support Protocol Modbus/TCP, TCP/IP, UDP, ICMP, ARP
- ◆ Ethernet 10/100 Based-T Communication
- ◆ Support Isolated Input Channels
- ◆ Fully Photo-Isolation 3750Vrms
- ◆ Wide Supply Voltages (10~30V)
- ◆ Built-In TVS/ESD Protection
- ◆ Burn-Out Auto Detection

Specifications

Interface:

Communication	10/100 Based-T Ethernet	CMRR	50/60 Hz: 150 dB
Baute Rate (bps)	Modbus/TCP, TCP/IP, UDP, ICMP and ARP	NMR	50/60 Hz: 100 dB
Protocol	LED for power and Ethernet link status	Burn-Out	Wire burn-out auto detection
Isolation Voltage	3000VDC	Over Voltage Protection	±60V

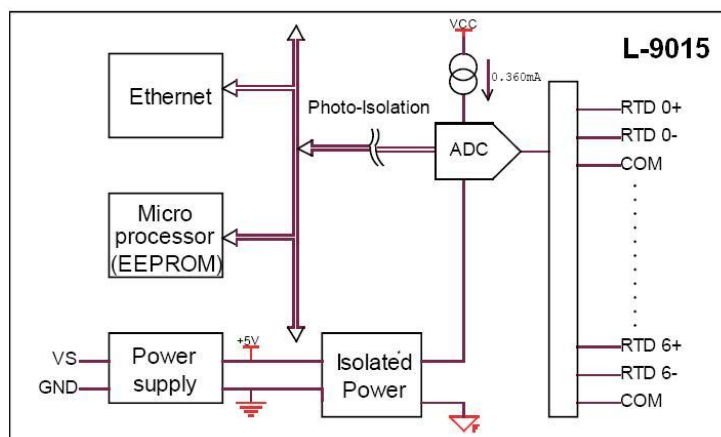
Power Requirement :

Consumption	2.2W
Power Input	10~30VDC (unregulated)
Humidity	5 ~ 95% RH, non-condensing

Analog Input:

Effective Resolution	16-bit
Input Channels	7 differential
Input Type	PT100, PT1000, Balco 500, NI604, NI1000
Isolation Voltage	2000V
Sampling Rate	12 samples/sec
Input Impedance	20MΩ
Accuracy	±0.05% or better
Resolution	16-bit
Zero Drift	±0.5uV/ °C
Span Drift	±20uV/ °C

Block Diagram



Assured Systems

Assured Systems is a leading technology company with over 1,500 regular clients in 80 countries, deploying over 85,000 systems to a diverse customer base in 12 years of business. We offer high-quality and innovative rugged computing, display, networking and data collection solutions to the embedded, industrial, and digital-out-of-home market sectors.

US

sales@assured-systems.com

Sales: +1 347 719 4508

Support: +1 347 719 4508

1309 Coffeen Ave
Ste 1200
Sheridan
WY 82801
USA

EMEA

sales@assured-systems.com

Sales: +44 (0)1785 879 050

Support: +44 (0)1785 879 050

Unit A5 Douglas Park
Stone Business Park
Stone
ST15 0YJ
United Kingdom

VAT Number: 120 9546 28

Business Registration Number: 07699660