

# STM-602C Series

Industrial Modbus TCP (Two Ethernet Ports) to Two Serial (232,422,485) RTU/ASCII Gateway



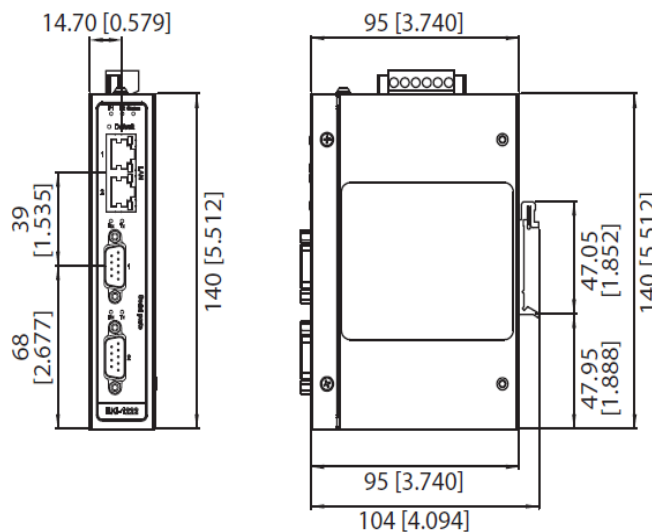
## Features

- ▶ 2\*10/100 Mbps Ethernet Ports for LAN Redundancy
- ▶ Integrates Modbus TCP and Modbus RTU/ASCII Networks
- ▶ Supports up to 921.6 kbps and Any Baud Rate Setting
- ▶ Supports up to 16 connections per Serial Port Under Modbus Master Mode and 32 Sessions Under Modbus Slave Mode
- ▶ Software-selectable RS-232/422/485 Communication
- ▶ Automatic RS-485 Data Flow Control
- ▶ Redundant Power Input: 12~48VDC
- ▶ Power Polarity Reverse Protection
- ▶ Overload Current Protection
- ▶ DIN-Rail or Wall Mountable
- ▶ Standard and Wide Temperature Models
- ▶ 5-Year Warranty

## INTRODUCTION

Antaira Technologies' STM-602C series is an industrial MODBUS gateway that allows legacy MODBUS RTU/ASCII devices to operate on a MODBUS TCP network. It can be configured for either MODBUS serial master or slave to communicate with MODBUS TCP's slave or master. The STM-602C series features two independent Ethernet ports and MAC addresses to provide redundancy and reliability. These devices provide an economical way of connecting MODBUS RTU/ASCII devices to networks accessible anywhere in the world.

## DIMENSIONS



## SPECIFICATIONS

Ethernet Technology	
<b>Standards</b>	IEEE 802.3 10Base-T Ethernet IEEE 802.3u 100Base-TX Fast Ethernet
<b>Processing Type</b>	Store and Forward
<b>Protocol</b>	CSMA/CD
<b>No. of Ports</b>	2 with independent IP and MAC addresses
Serial Technology	
<b>Port Type</b>	RS-232/422/485, software selectable
<b>No. of Ports</b>	2 – DB9 male
<b>Data Bits</b>	5, 6, 7, 8
<b>Stop Bits</b>	1, 2
<b>Parity</b>	None, Odd, Even, Space, Mark
<b>Flow Control</b>	XON/XOFF, RTS/CTS
<b>Baud Rate</b>	50 bps ~ 921.6 kbps, any baud rate setting
<b>Serial Signals</b>	RS-232: TxD, RxD, CTS, RTS, DCD, RI, GND RS-422: TxD+, TxD-, RxD+, RxD-, GND RS-485: Data+, Data-, GND
<b>Protection Interface</b>	15 KV ESD for all signals
<b>Ethernet Port</b>	2*10/100T(X) auto negotiation speed, Full/Half duplex mode, and auto MDI/MDI-X connection
<b>LED Indicators</b>	Link / Act
General	
<b>LED Indicators</b>	System: Power, System Status LAN: Speed, Link/Active Serial: Tx, Rx
<b>Reboot Trigger</b>	Built-in WDT (watchdog timer)
Mechanical Characteristics	
<b>Housing</b>	Metal with solid mounting hardware
<b>Dimensions</b>	37 x 140 x 95 mm (1.46" x 5.51" x 3.74")
<b>Weight</b>	1.06 LBS (0.48 Kg)
<b>Mounting</b>	DIN-Rail mounting, Wall mounting
Power Requirement	
<b>Input Voltage</b>	12 to 48VDC, Redundant Inputs
<b>Power Connection</b>	Terminal block
<b>Reverse Polarity Protection</b>	Present
<b>Overload Current Protection</b>	Present
<b>Power Consumption</b>	3.2 W
Environmental Limits	
<b>Operating Temperature</b>	STD: -10 ~ 60 °C (14 ~ 140 °F) EOT: -40 ~ 70 °C (-40 ~ 158 °F)
<b>Storage Temperature</b>	-40 ~ 85 °C (-40 ~ 185 °F)
<b>Ambient Relative Humidity</b>	5% to 95%, (non-condensing)
Regulatory Approvals	
<b>EMC</b>	CE, FCC Part 15 Subpart B (Class A)
<b>Hazardous location</b>	UL/cUL (Class I, Division 2, Groups A, B, C and D)
<b>Green</b>	RoHS Compliant
<b>Warranty</b>	5 Years
Software	
<b>OS Support</b>	32-bit/64-bit Windows XP/Vista/7/8/8.1/10, Windows Server 2003/2008/2008 R2/2012/2012 R2
<b>Utility Software</b>	Antaira Device Configuration Utility
<b>Operation Modes</b>	Modbus RTU Master/Slave mode Modbus ASCII Master/Slave mode
<b>Configuration</b>	Windows Utility, Telnet Console, Web Browser
<b>Protocols</b>	ICMP, IP, TCP, UDP, BOOTP, DHCP, Auto IP, SNMP, HTTP, DNS, SMTP, ARP, NTP

## ORDERING INFO

<b>STM-602C</b>	Industrial Modbus TCP (two Ethernet port) to two Serial (232,422,485) RTU/ASCII Gateway
<b>STM-602C-T</b>	Industrial Modbus TCP (two Ethernet port) to two Serial (232,422,485) RTU/ASCII Gateway EOT: -40°C to 70°C
Optional Accessories	
<b>DR-30-24</b>	30W Industrial DIN-Rail Power Supply, 24VDC
<b>DR-60-24</b>	60W Industrial DIN-Rail Power Supply, 24VDC

## Assured Systems

Assured Systems is a leading technology company with over 1,500 regular clients in 80 countries, deploying over 85,000 systems to a diverse customer base in 12 years of business. We offer high-quality and innovative rugged computing, display, networking and data collection solutions to the embedded, industrial, and digital-out-of-home market sectors.

### US

[sales@assured-systems.com](mailto:sales@assured-systems.com)

Sales: +1 347 719 4508

Support: +1 347 719 4508

1309 Coffeen Ave  
Ste 1200  
Sheridan  
WY 82801  
USA

### EMEA

[sales@assured-systems.com](mailto:sales@assured-systems.com)

Sales: +44 (0)1785 879 050

Support: +44 (0)1785 879 050

Unit A5 Douglas Park  
Stone Business Park  
Stone  
ST15 0YJ  
United Kingdom

VAT Number: 120 9546 28

Business Registration Number: 07699660