

VITAM-917AR/P/G(H)

17" IP66 / IP69K Stainless Steel Panel PC

Industrial Panel PC

HMI Controller

Industrial Display Monitor

Box PC



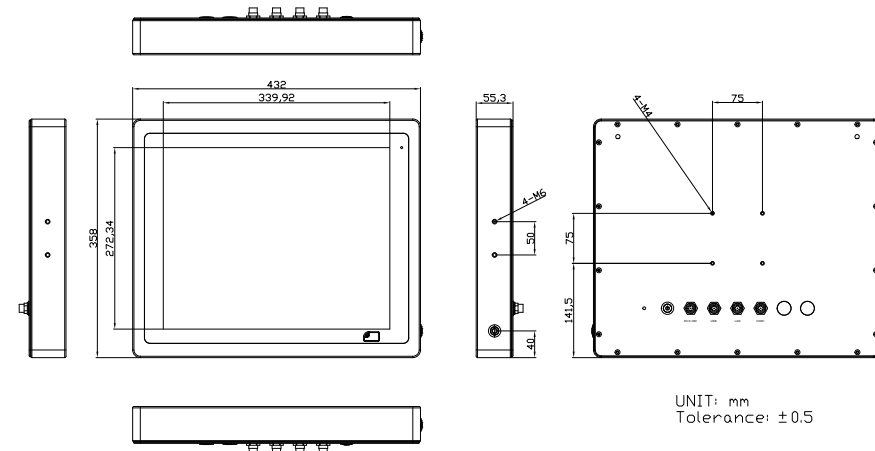
Features

- 17" New Generation Stainless Steel Panel PC
- 6th Gen Intel Core i3-6100U / Core i5-6300U Onboard Processor
- True Flat Front Bezel Design and Grade 304 Stainless Steel Enclosure (Grade 316 for Option)
- IP66/IP69K Rated with M12 Connectors
- Support Resistive Touch, Projected Capacitive Touch, and Glass
- Touch on/off Button on the Side Edge for Hygienic Cleaning
- Support Ergonomic Versatile Mounting: Yoke Mounting / Space-saving VESA 75 x 75 mm Mounting

Specifications

| System | | |
|--------------------------------|--|--------------------------|
| CPU | Onboard 6th Gen Intel Core i3/i5 Processor | |
| System Chipset | SoC | |
| Memory | 1 x 260-pin SO-DIMM up to 16GB DDR4 2133MHz | |
| IO Port | | |
| USB | 1 x M12 8-pin for USB 2.0 with waterproof cover and chain | |
| Serial / Parallel | 1 x M12 8-pin COM1, RS-232/422/485, default RS-232, with waterproof cover and chain | |
| LAN | 1 x M12 8-pin for LAN with waterproof cover and chain | |
| Others | 1 x Touch on/off button on the side | |
| Power Connector | 1 x M12 3-pin for DC power with waterproof cover and chain 1 x Power switch on the side | |
| Option | 2 x optional blank M12 connector with waterproof cover and chain for selecting two from the following options: 2 x USB 2.0 1 x USB 3.0 1 x LAN (POE for option) 1 x COM 1 x CAN | |
| Storage Space | | |
| HDD | 1 x 2.5" SATA3 HDD | |
| Expansion | | |
| Expansion Slot | 1 x miniPCIe slot for WIFI/BT(optional), 4G/LTE(optional) | |
| RFID module | RFID module design on the front side(optional) | |
| Display | | |
| Display Type | Standard | High Brightness Optional |
| Display Type | 17" TFT-LCD | 17" TFT-LCD |
| Max. Resolution | 1280 x 1024 | 1280 x 1024 |
| Max. Color | 16.7M | 16.7M |
| Luminance (cd/m ²) | 350 | 1000 |
| View Angle | 170(H) / 170(V) | 170(H) / 160(V) |
| Contrast | 1000:1 | 1000:1 |
| Backlight Lifetime | 50,000 hrs | 50,000 hrs |
| Touch Screen | | |
| Type | Resistive Touch (For R model) Projected Capacitive Touch (For P model) Glass (For G model) | |
| Interface | USB | |
| Light Transmission(%) | Resistive Touch : 80% Projected Capacitive : 90% | |
| Power | | |
| Power Input | DC 9~36V | |
| Power Consumption | ViTAM-917AP:49W | |

Dimensions



| Mechanical | |
|---|--|
| Construction | 304 Stainless steel chassis(default), 316 Stainless steel chassis(optional) |
| Mounting | VESA mount 75 x 75, Yoke mount for optional |
| IP Rating | Total IP66/IP69K |
| Dimensions | 432 x 358 x 55 mm |
| Net Weight | 8.0 kg |
| Environmental | |
| Operating Temperature | 0~50°C |
| Storage Temperature | -30~70°C |
| Storage Humidity | 10 to 90% @ 40°C, non- condensing |
| Certificate | CE/FCC Class A |
| Operating System Support | |
| Windows Embedded 7, Windows Embedded 8.1, Windows 10 IoT ENT LTSB | |
| Ordering Information | |
| ViTAM-917AP | 17" SXGA IP66/IP69K stainless steel panel pc, Intel 6th Gen. Core i Processor, 1 x SO-DIMM DDR4 slot, 32G MLC SSD, projected capacitive touch, 9~36V DC power input with Adapter |
| ViTAM-917AR | 17" SXGA IP66/IP69K stainless steel panel pc, Intel 6th Gen. Core i Processor, 1 x SO-DIMM DDR4 slot, 32G MLC SSD, 5 wire resistive touch window, 9~36V DC power input with Adapter |
| ViTAM-917AG | 17" SXGA IP66/IP69K stainless steel panel pc, Intel 6th Gen. Core i Processor, 1 x SO-DIMM DDR4 slot, 32G MLC SSD, protection glass, 9~36V DC power input with Adapter |
| ViTAM-917APH | 17" SXGA IP66/IP69K stainless steel panel pc, Intel 6th Gen. Core i Processor, 1 x SO-DIMM DDR4 slot, 32G MLC SSD, projected capacitive touch, 9~36V DC power input with Adapter, 1000 nits |
| ViTAM-917ARH | 17" SXGA IP66/IP69K stainless steel panel pc, Intel 6th Gen. Core i Processor, 1 x SO-DIMM DDR4 slot, 32G MLC SSD, 5 wire resistive touch window, 9~36V DC power input with Adapter, 1000 nits |
| ViTAM-917AGH | 17" SXGA IP66/IP69K stainless steel panel pc, Intel 6th Gen. Core i Processor, 1 x SO-DIMM DDR4 slot, 32G MLC SSD, protection glass, 9~36V DC power input with Adapter, 1000 nits |

UNIT: mm
Tolerance: ±0.5

Assured Systems

Assured Systems is a leading technology company with over 1,500 regular clients in 80 countries, deploying over 85,000 systems to a diverse customer base in 12 years of business. We offer high-quality and innovative rugged computing, display, networking and data collection solutions to the embedded, industrial, and digital-out-of-home market sectors.

US

sales@assured-systems.com

Sales: +1 347 719 4508

Support: +1 347 719 4508

1309 Coffeen Ave
Ste 1200
Sheridan
WY 82801
USA

EMEA

sales@assured-systems.com

Sales: +44 (0)1785 879 050

Support: +44 (0)1785 879 050

Unit A5 Douglas Park
Stone Business Park
Stone
ST15 0YJ
United Kingdom

VAT Number: 120 9546 28

Business Registration Number: 07699660