

AEx-815P(H)

15" Intel Celeron N2930 IP66 Stainless Steel Panel PC

Industrial Panel PC

HMI Controller

Industrial Display Monitor

Box PC



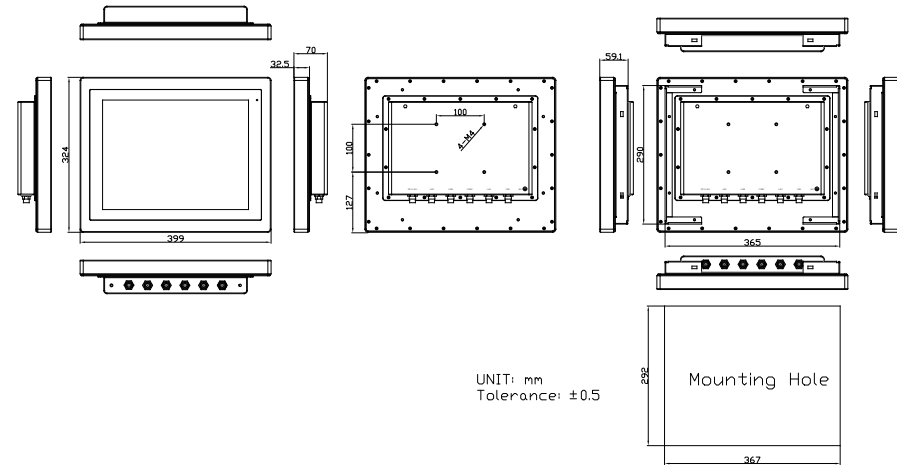
Features

- 15" TFT-LCD
- Intel Celeron Processor N2930
- SUS 316 Stainless Steel
- Total IP66 Grade with M12 Waterproof Connector
- Variety of IO applications
- Wide range DC 9~36V Power Input
- Support Panel Mount & VESA Mount
- Support Projected Capacitive Touch
- Full Flat Bezel and Fanless Design
- ATEX Zone2, IECEx and C1D2 Certified

Specifications

System		
CPU	Onboard Intel Celeron N2930 Processor (2M Cache, 1.83GHz)	
System Chipset	SoC	
Memory	Onboard 4GB DDR3L SDRAM, 8GB(option)	
IO Port		
USB	1 x M12 8-pin for 2 x USB 2.0 with waterproof cover and chain	
Serial / Parallel	1 x M12 8-pin for COM1, RS-232/422/485, default RS-232, with waterproof cover and chain	
LAN	2 x M12 8-pin for LAN with waterproof cover and chain	
Graph	1 x M12 8-pin for VGA with waterproof cover and chain	
Power	1 x M12 3-pin for DC power connector with waterproof cover and chain	
Storage Space		
HDD	1 x 2.5" HDD or SSD space 1 x mSATA space	
Movable Device	1 x Internal SD Card	
Expansion		
Expansion Slot	1 x Mini-PCIe (full size)	
Display		
Display Type	Standard	High Brightness Optional
Max. Resolution	1024 x 768	1024 x 768
Max. Color	16.7M / 262K	16.7M
Luminance (cd/m ²)	450	1000
View Angle	160(H) / 150(V)	160(H) / 150(V)
Contrast	800:1	800:1
Backlight Lifetime	50,000 hrs	50,000 hrs
Touch Screen		
Type	Projected Capacitive Touch	
Interface	USB	
Light Transmission(%)	90%	
Power		
Power Input	DC 9~36V	
Power Consumption	AEx-815P: 19W	
Mechanical		
Construction	316 stainless steel chassis	
Mounting	VESA mount 100 x 100, Panel mount (option)	
IP Rating	Total IP66	
Dimensions	399 x 324 x 70 mm	
Net Weight	9.7 kg	

Dimensions



Environmental	
Operating Temperature	-20~60°C
Storage Temperature	-30~70°C
Storage Humidity	10 to 90% @ 40°C, non-condensing
Safety	CSA C22.2 No.61010
Certificate	CE / FCC Class A, ATEX Zone2 Ex nA ic IIC T4 Gc Class I, Division2, Group ABCD T4 ANSI/ISA 12.12.01-2013 CSA Std. C22.2 No213-1987

Operating System Support	
Windows embedded 7	
Windows embedded 8.1	
Windows 10 IoT ENT LTSC	

Ordering Information	
AEX-815P	15" XGA IP66 Intel Celeron N2930 1.8G CPU fan less panel PC, 4GB DDR3L memory on board, 1 x 128GB 2.5" MLC SSD, 1 x 64GB mSATA MLC SSD, Projected capacitive touch, DC9~36V power input with power adapter, 316 stainless steel enclosure, support VESA Mount, WT-20~60 Accessory : 1 x M12 for 2 x USB2.0 Cable, 2 x M12 LAN cable, 1 x M12 COM Cable, 1 x VGA Cable, 1 x 3pin power input cable (w/o Adapter)
AEX-815PH	15" XGA HB1000nits IP66 Intel Celeron N2930 1.8G CPU fan less panel PC, 4GB DDR3L memory on board, 1 x 128GB 2.5" MLC SSD, 1 x 64GB SATA MLC SSD, Projected capacitive touch, DC9~36V power input with power adapter, 316 stainless steel enclosure, support VESA Mount, WT-20~60 Accessory : 1 x M12 for 2 x USB2.0 Cable, 2 x M12 LAN cable, 1 x M12 COM Cable, 1 x VGA Cable, 1 x 3pin power input cable (w/o Adapter)

Assured Systems

Assured Systems is a leading technology company with over 1,500 regular clients in 80 countries, deploying over 85,000 systems to a diverse customer base in 12 years of business. We offer high-quality and innovative rugged computing, display, networking and data collection solutions to the embedded, industrial, and digital-out-of-home market sectors.

US

sales@assured-systems.com

Sales: +1 347 719 4508
Support: +1 347 719 4508

1309 Coffeen Ave
Ste 1200
Sheridan
WY 82801
USA

EMEA

sales@assured-systems.com

Sales: +44 (0)1785 879 050
Support: +44 (0)1785 879 050

Unit A5 Douglas Park
Stone Business Park
Stone
ST15 0YJ
United Kingdom

VAT Number: 120 9546 28
Business Registration Number: 07699660