

# eBOX800-900-FL NEW

Rugged IP67-rated Fanless Edge System with NVIDIA® JETSON™ TX2, 1 HDMI, 1 GbE LAN, 1-CH PoE, 1 USB 2.0 and 100 to 240 VAC Power Input

## Features

- IP67-rating for outdoor use
- NVIDIA® JETSON™ TX2 with Pascal™, 256 CUDA cores GPU
- High AI computing performance for GPU-accelerated processing
- -30°C to +60°C operating temperature range
- 100 to 240 VAC wide range power input with 10kV surge protection
- 4 N-jack antenna openings with water proof design
- Features M12 lockable I/Os
- 1 IEEE 802.3at Gigabit LAN port (30W)
- Rich I/O options for customized designs and mission-critical projects

NVIDIA TX2 available through to 2022\*  
The official end of life notice will be sent for at least 8 months before the last shipment.



## Specifications

Standard Color	Black
Construction	Aluminum die-casting and heavy-duty steel, IP67
CPU Board	NVIDIA® JETSON™ TX2
CPU	HMP dual Denver 2/2 MB L2 + quad ARM® A57/2 MB L2
GPU	NVIDIA® Pascal™, 256 CUDA cores
System Memory	8GB 128-bit LPDDR4 @ 1866 MHz onboard
Carried Board	SBC87900
System I/O Outlet	1 x C3 USB 2.0 1 x M12 X-Code GbE LAN 1 x M12 X-Code Gigabit PoE (IEEE 802.3at) port (30W) 1 x C3 HDMI with FHD supported 1 x M12 S-Code 3-pos AC in power input 4 x N-jack antenna opening with water proof design
Watchdog Timer	Watchdog timer embedded in NVIDIA® JETSON™ TX2
Storage	Onboard 32GB eMMC (via JETSON™ TX2) 1 x M.2 2280 KEY M with PCIe 2.0 x4 for NVMe SSD (optional)
Wireless Module	802.11ac WLAN, Bluetooth onboard with N-jack type antennas
Expansion Interface	1 x Full-size PCI Express Mini Card slot (USB + PCI Express signal) 1 x SIM slot
TPM	N/A
Power Input	100 to 240 VAC with 10kV SPD
Operating Temperature	-30°C to +60°C (-22°F to +140°F)
Humidity	10% to 95% , non-condensing
Vibration Endurance	3 Grms with SSD (5 to 500Hz, X, Y, Z directions)
Dimensions	210 mm (8.27") x 366.83 mm (14.44") x 83 mm (3.27")
Weight (net/gross)	4.31 kg (9.5 lb)/5.1 kg (11.24 lb)
Certifications	CE, FCC Class A
OS (Support)	Linux ubuntu 16.04

## Packing List

- 1 x Quick manual
- 1 x Screws pack
- 2 x Wi-Fi antennas

## Power Protection

### DC Version

- OVP (over voltage protection)
- OCV (over current protection)
- SCP (short circuit protection)
- SPD (surge protection device)



## Ordering Information

### Standard

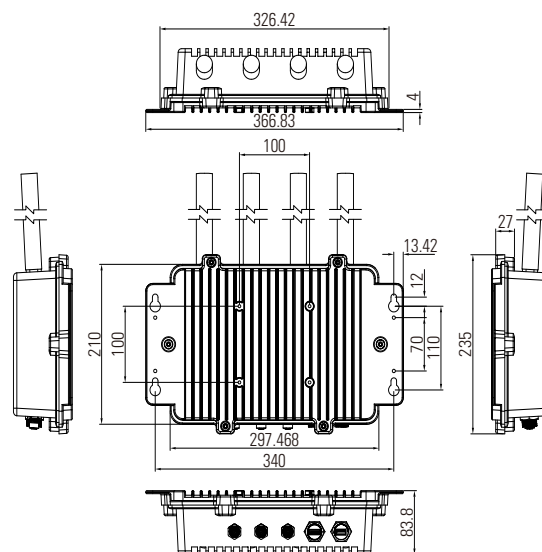
eBOX800-900-FL	Rugged IP67-rated fanless edge system with NVIDIA® JETSON™ TX2, 1 HDMI, 1 GbE LAN, 1 Gigabit PoE, 1 USB 2.0 and 100 to 240 VAC power input
----------------	--------------------------------------------------------------------------------------------------------------------------------------------

### Optional

M.2 NVMe	64GB or above
594B8152710E	LAN/PoE cable, 180 cm
594K2303810E	HDMI cable, 100 cm
594K2302810E	USB cable, 200 cm
50966224010E	24V, 90W M12 power adapter
	LTE module

\* Specifications and certifications may vary based on different requirements.

## Dimensions



## Assured Systems

Assured Systems is a leading technology company with over 1,500 regular clients in 80 countries, deploying over 85,000 systems to a diverse customer base in 12 years of business. We offer high-quality and innovative rugged computing, display, networking and data collection solutions to the embedded, industrial, and digital-out-of-home market sectors.

### US

[sales@assured-systems.com](mailto:sales@assured-systems.com)

Sales: +1 347 719 4508  
Support: +1 347 719 4508

1309 Coffeen Ave  
Ste 1200  
Sheridan  
WY 82801  
USA

### EMEA

[sales@assured-systems.com](mailto:sales@assured-systems.com)

Sales: +44 (0)1785 879 050  
Support: +44 (0)1785 879 050

Unit A5 Douglas Park  
Stone Business Park  
Stone  
ST15 0YJ  
United Kingdom

VAT Number: 120 9546 28  
Business Registration Number: 07699660