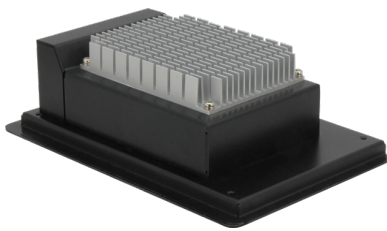
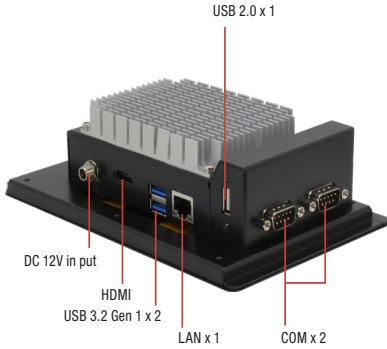


ACP-1075

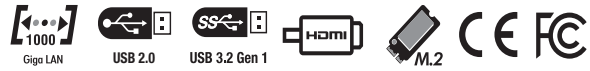
7" WSVGA Open-frame Panel PC with PICO-APL3

All in One Panel PC Solutions: ACP Series



Features

- 7" WSVGA (1024 x 600) Color TFT LCD Display
- PICO-APL3
- Projected Capacitive Touch Screen
- Fanless System
- Onboard DRAM 4GB (2GB Optional)
- Onboard eMMC 64GB (16GB/32GB Optional)
- LAN x 1, COM x 2, USB 3.2 Gen 1 (Type-A) x 2, USB 2.0 x 1
- HDMI x 1
- M.2 2280 B-Key x 2, M.2 2230 E-Key x 1
- DC 12V



System	
Processor	Intel® Pentium® Processor N4200 Intel® Celeron® Processor N3350
System Memory	LPDDR3L 2GB/4GB (Optional)
LCD/CRT controller	—
Ethernet	GbE x 1
I/O Port	LAN x 1 COM x 2 USB 3.2 Gen 1 x 2 USB 2.0 x 1 HDMI x 1
Storage Disk Drive	Onboard 64GB eMMC (Optional: 16GB/32GB)
Expansion Slot	M.2 2280 B-Key x 1, M.2 2230 E-Key x 1
OS support	Windows® 10 (64-bit)
Mechanical	
Construction	SECC
Mounting	—
Dimension	7.18" x 4.73" x 2.09" (182.3mm x 120.1mm x 53.04mm)
Carton Dimension	14.17" x 9.65" x 4.65" (360mm x 245mm x 118mm)
Gross Weight	1.9 lb. (0.88Kg)
Environmental	
Operating Temperature	32°F ~ 131°F (0°C ~ 55°C) with 0.5 m/s airflow
Storage Temperature	32°F ~ 149°F (0°C ~ 65°C)
Storage Humidity	90% @40°C; non-condensing
Vibration	1 Grms/ 5~ 500Hz/ operation –with HDD
Shock	15 G peak acceleration (11 msec. duration) –with HDD
EMC	CE/FCC Class A
Power Supply	
DC Input	DC 12V
LCD	
Display Type	7" WSVGA Color TFT LCD Display
Max Resolution	1024 x 600
Max. Colors	16.7M
Luminance	320 nits
Viewing Angle	145° (H) ; 150° (V)
Back Light	LED
Back Light MTBF (Hours)	20,000 Hrs
Touchscreen	
Type	Projected Capacitive Multi-Touch
Light Transmission	>=86%

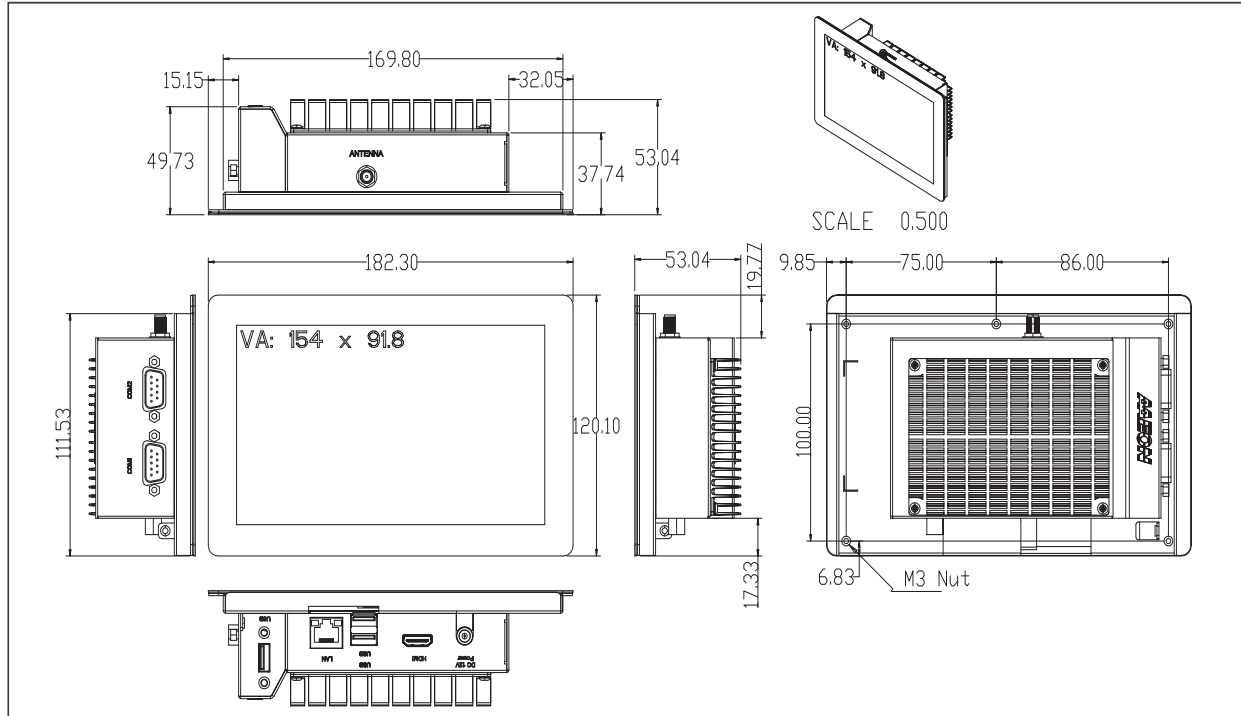
ACP-1075

04

All in One Panel PC Solutions: ACP Series

Dimension

Unit: mm



Packing List

- **ACP-1075**
- **125530060Y**
60W Lockable Power Adapter
- **9651107510**
Panel Mount Kit
- **Screw Pack**

Optional Accessories

- **170X000799**
Power Cord (US Type)
- **170X000800**
Power Cord (European Type)
- **170X000803**
Power Cord (Japanese Type)

Ordering Information

Part Number	Display Type	Max Resolution	Luminance	View Angle	Backlight MTBF	CPU	LAN	USB 3.2 Gen 1	USB 2.0	RS-232	RS-232 /422/485	Storage	RAM	Display	Expansion	Mounting	Power	Temp.	Touch
ACP-1075HTT-A1-1010	7" TFT LCD	1024 x 600	320 cd/m ²	150°(H) / 145°(V)	20,000	Intel® Pentium N4200	1	2	1	2	—	64GB eMMC	onBoard 4GB	HDMI x1	M.2 2230 E Key / 2280 B Key x1	Panel Mount	DC 12V	0o-40oC	Projected Capacitive Touch
ACP-1075HTT-A3-1010	7" TFT LCD	1024 x 600	320 cd/m ²	150°(H) / 145°(V)	20,000	Intel® Celeron N3350	1	2	1	2	—	64GB eMMC	onBoard 4GB	HDMI x1	M.2 2230 E Key / 2280 B Key x1	Panel Mount	DC 12V	0o-40oC	Projected Capacitive Touch

Assured Systems

Assured Systems is a leading technology company with over 1,500 regular clients in 80 countries, deploying over 85,000 systems to a diverse customer base in 12 years of business. We offer high-quality and innovative rugged computing, display, networking and data collection solutions to the embedded, industrial, and digital-out-of-home market sectors.

US

sales@assured-systems.com

Sales: +1 347 719 4508
Support: +1 347 719 4508

1309 Coffeen Ave
Ste 1200
Sheridan
WY 82801
USA

EMEA

sales@assured-systems.com

Sales: +44 (0)1785 879 050
Support: +44 (0)1785 879 050

Unit A5 Douglas Park
Stone Business Park
Stone
ST15 0YJ
United Kingdom

VAT Number: 120 9546 28
Business Registration Number: 07699660