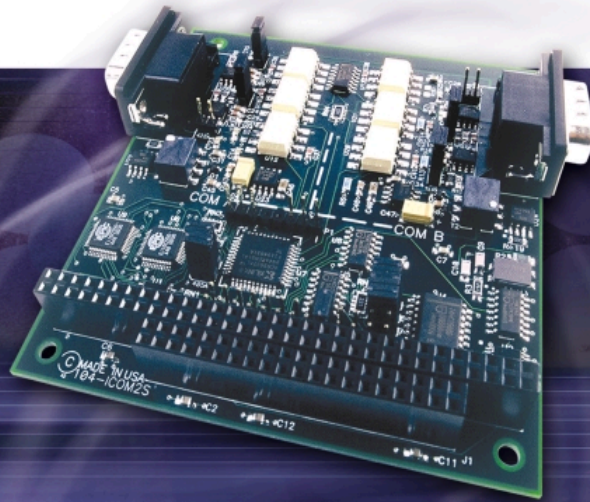


104-ICOM-2S

Dual Port  
**PC/104 ISOLATED RS-422/485  
SERIAL COMMUNICATION**



**KEY FEATURES:**

- 2 independent optically-isolated asynchronous serial COM ports
- Field-selectable RS-422 and RS-485 for each port
- Auto-RTS feature makes half-duplex RS-485 communications effortless
- Fixed bias and jumper selectable termination provided on each transmit and receive channel simplifies cabling
- Speeds up to 115.2K
- Operates as a standard COM port in all operating systems

**FACTORY OPTIONS:**

- 16850 UARIS with 128-byte FIFO
- Speeds up to 460.8K
- 0 to 60°C and -40 to +85°C versions available

The Model 104-ICOM-2S is a rugged, low cost dual-port PC/104 serial communication board featuring 60V optical isolation. Optically isolating the serial data lines from each other, and from the computer, assures smooth, error-free data transmission even in noisy, real-world environments. The two serial ports are based on the 16C550 UART with a 16 byte FIFO, useful for high-speed communications and in any operating system. The ports are available via two DB9 Male connectors with jack screws to eliminate vibration worries in harsh environments and applications.

Each port's protocol (RS-422 or RS-485) is selected by jumpers on the board. Two- and four-wire communications are possible including four-wire RS-485 communication. Bias is provided as a standard on the transmit and receive lines, whereas termination is jumper selected, which can simplify system architecture by eliminating some of the need to install resistors in the field cabling system.

**SOFTWARE**

The 104-ICOM-2S is supported by all operating systems and includes a free DOS, Linux and Windows 95/98/Me/NT/2000/XP compatible software package. This includes sample programs and source code in "C" and Pascal for DOS, and Visual Basic, Delphi, C++ Builder, and Visual C++ for Windows. Also included is a graphical setup program in Windows. An easy-to-use Windows terminal program simplifies verification of proper operation.

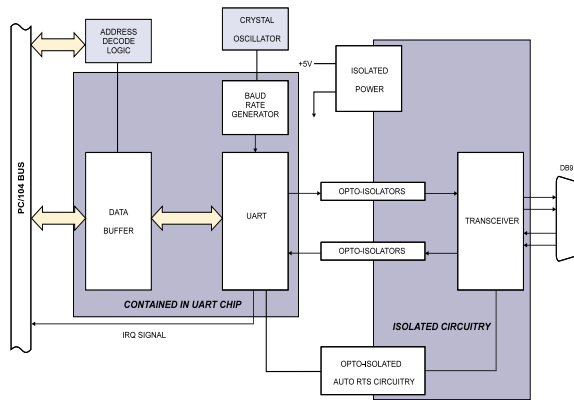


ACCES I/O Products, Inc. 10623 Roselle Street San Diego, CA 92121  
Tel: (858) 550-9559 (800) 326-1649 Fax: (858) 550-7322  
Email: [contactus@accessio.com](mailto:contactus@accessio.com) Website: [www.accessio.com](http://www.accessio.com)

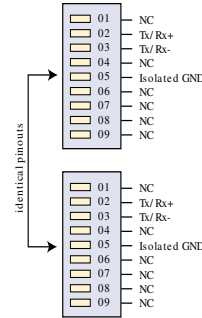
104-ICOM-2S

Dual Port  
**PC/104 ISOLATED RS-422/485**  
**SERIAL COMMUNICATION**

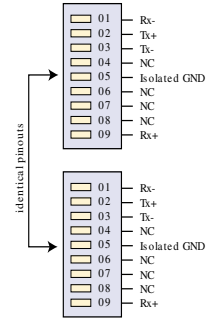
**Block Diagram & Pin Configuration**



RS-485 Two-Wire



RS-422 Four-Wire



**Specifications**

**Serial Ports**

Number of serial ports	2, optically isolated
Protocol	RS-422 and RS-485, independent for each port
Maximum baud rate	115.2K with factory option for 460.8K
UART	16C550 with 16 byte FIFO, optional 16850 with 128-byte FIFO
Character length	5, 6, 7, or 8 data bits
Parity	Even, odd, or none
Receiver input sensitivity	±200mV differential input. Lines include factory bias and jumper selectable termination.
Common mode voltage range	+12V to -7V
Transmitter output drive capability	60mA with thermal shutdown. Lines include factory bias and jumper selectable termination.
Isolation	60V between all data lines and ground

**General**

I/O connections	Via two male DB9s with screws for cable connector retention
Short circuit protection	All outputs protected against continuous short circuit
Power required	+5VDC at 200mA typical, all outputs open
Operating temperature	0 to +60°C, optional -40 to +85°C
Storage temperature	-50 to +120°C
Operating humidity	5% to 95% RH, non-condensing
PC/104 bus	8-bit and 16-bit bus headers are used

104-ICOM-2S	2 port isolated RS422/485
104-422/485-2	2 port RS422/485 board (non-isolated)



ACCES I/O Products, Inc. 10623 Roselle Street San Diego, CA 92121  
 Tel: (858) 550-9559 (800) 326-1649 Fax: (858) 550-7322  
 Email: contactus@accessio.com Website: www.accessio.com

## Assured Systems

Assured Systems is a leading technology company with over 1,500 regular clients in 80 countries, deploying over 85,000 systems to a diverse customer base in 12 years of business. We offer high-quality and innovative rugged computing, display, networking and data collection solutions to the embedded, industrial, and digital-out-of-home market sectors.

### US

[sales@assured-systems.com](mailto:sales@assured-systems.com)

Sales: +1 347 719 4508  
Support: +1 347 719 4508

1309 Coffeen Ave  
Ste 1200  
Sheridan  
WY 82801  
USA

### EMEA

[sales@assured-systems.com](mailto:sales@assured-systems.com)

Sales: +44 (0)1785 879 050  
Support: +44 (0)1785 879 050

Unit A5 Douglas Park  
Stone Business Park  
Stone  
ST15 0YJ  
United Kingdom

VAT Number: 120 9546 28  
Business Registration Number: 07699660