

TPM-3624PW

Arestech

IP66/69K Protected 23.8" Stainless Steel Industrial Monitor with P-Cap Touchscreen



Features

- IP66/69K Protected Stainless Steel 316 Flat Panel Design
- 23.8" LCD, Resolution 1920 x 1080
- 12 ~ 24 V DC power input (M12 Connector)
- VGA and USB (M12 Connector); HDMI port (option)
- VESA mounting

Applications

- Food & Beverage Processing Industry
- Pharmaceutical and Biopharmaceutical Equipment
- Embedded HMI Display System
- Factory Manufacturing Automation
- Chemical, Gas & Oil Critical Environment

→ Packing List

| Description |
|----------------|
| 1 x TPM-3624PW |

→ Optional Items

| Part No. | Description |
|---------------|--|
| APW-60M12V-01 | 12V, 60W, 5A, 5-pin M12 Connector (US) |
| APW-60M12V-02 | 12V, 60W, 5A, 5-pin M12 Connector (EU) |
| AKT-USB2M12 | M12 Connector to USB Cable, 2m |
| AKT-VGA2M12-M | M12 Connector to DB15 Male Cable, 2m |
| AKT-HDMI2IP66 | IP66 Connector to HDMI Cable, 2m |

→ Ordering Information

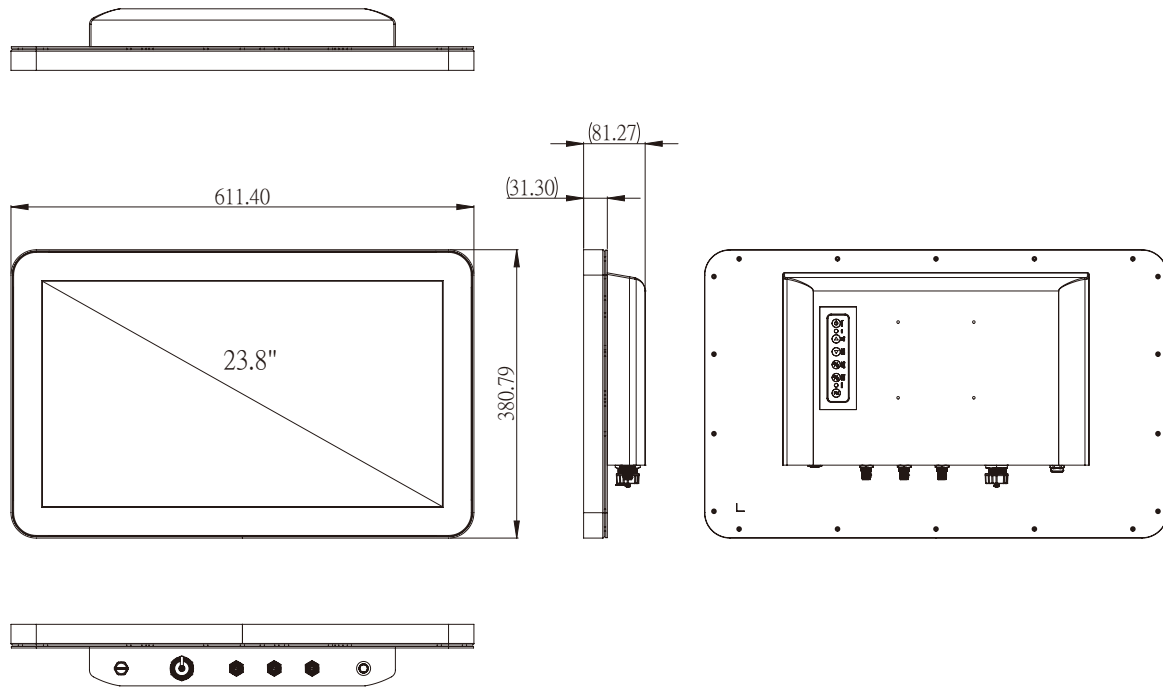
| Part No. | Description |
|---------------|---|
| TPM-3624PW-A1 | 23.8" FHD, Full System IP66 Stainless Steel Industrial Touch Monitor, Flat Panel, Projected Capacitive Touch, USB, VGA, 12~24V DC input, M12 Connectors |

www.arestech.com.tw

TPM-3624PW

Arestech

→ **Dimensions**



→ **Specifications**

| Model | | TPM-3624PW-A1 |
|---------------|-----------------------------|---|
| Display | Panel Size | 23.8" LCD Panel |
| | Resolution | 1920 x 1080 (Full HD) |
| | Viewing Angle | 89 x 89 (H), 89 x 89 (V) |
| | Brightness | 250 (cd/m2) |
| | Color Support | 16.7 M |
| | Contrast Ratio | 3000:1 |
| | Response Time | 20 (msec) |
| Touchscreen | Type | Projected Capacitive |
| | Surface Hardness | 7 Mohs |
| | Durability | - |
| | Transparency | 90% (±3%) |
| I/O Interface | Input Interface | 1 VGA (M12 Connector), 1 HDMI (IP66 Waterproof Connector, Option) |
| | Touch Interface | 1 USB, M12 Connector |
| OSD Control | OSD Function Key | 1 Touch on/off Button 6 Keys: Menu, Up, Down, Auto Adjust, Monitor Power on/off, Functon Key |
| Power | Power Input | 12-24 V DC power input, single power source |
| | Power Connector | M12 connector |
| | Power Consumption (Typical) | TBD |
| Environment | Operating Temperature | 0~60° C (32~140° F) |
| | Storage Temperature | -20~60° C (-4~140° F) |
| | Humidity | 5~95% @ 40° C, Non-condensing |
| | Vibration | 5-500 Hz, 0.026 G ² /Hz, 2.16 Grms, X, Y, Z, 1 hour per axis |
| General | Ingress Protection | Full System IP66 Protection , Stainless Steel 316 (IP69K Protection by Option) |
| | Dimensions (W x H x D) | 611.40 x 380.79 x 81.27 mm (24.07" x 14.99" x 3.20") |
| | Weight | 12.12 kg (26.72 lb) |
| | Operating System | Windows 7/8.1/10, WES7, WE8S, Linux Fedora, Ubuntu |

Tel: +886-2-2790-1930 Fax: +886-2-2790-1936 Email: service@arestech.com.tw

Assured Systems

Assured Systems is a leading technology company with over 1,500 regular clients in 80 countries, deploying over 85,000 systems to a diverse customer base in 12 years of business. We offer high-quality and innovative rugged computing, display, networking and data collection solutions to the embedded, industrial, and digital-out-of-home market sectors.

US

sales@assured-systems.com

Sales: +1 347 719 4508
Support: +1 347 719 4508

1309 Coffeen Ave
Ste 1200
Sheridan
WY 82801
USA

EMEA

sales@assured-systems.com

Sales: +44 (0)1785 879 050
Support: +44 (0)1785 879 050

Unit A5 Douglas Park
Stone Business Park
Stone
ST15 0YJ
United Kingdom

VAT Number: 120 9546 28
Business Registration Number: 07699660