



23" Security Monitor  
**DuraVision® FDF2306W**



## 23" Monitor with Real-Time Visibility-Enhancing Technology for Security and Surveillance

### Visibility Optimizer for Clear Images

The DuraVision FDF2306W is equipped with EIZO's Visibility Optimizer visibility-enhancing technology which includes functions for improving the clarity of images in real time.

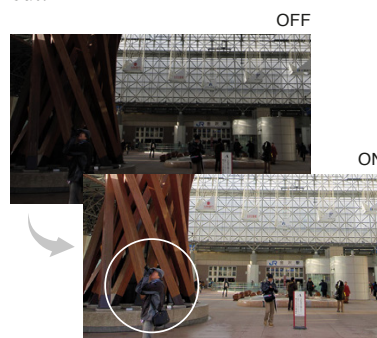
#### Defog

Defog enhances images that are affected by fog, snow, or other environmental factors that cause the video to appear hazy or unclear.



#### Low-light Correction

Low-light Correction detects areas of the screen that are dark and difficult to see and adjusts the brightness of each pixel. This reproduces highly visible images with a realistic sense of depth by brightening dark areas and keeping lighter areas from becoming washed out.



#### Outline Enhancer

Outline Enhancer analyzes the displayed content and ensures that noise is not accentuated while correcting blurred areas for a sharper, clearer image. For images with a great deal of depth, it sharpens the foreground more strongly to maintain a real-world sense of focus.



**Clear View from Below**

For environments where the monitor is placed above eye level, the DuraVision FDF2306W includes an Up View function that minimizes color wash-out that may occur from viewing an LCD screen from below. This ensures that the screen can be viewed clearly whether the monitor is placed on a desk or mounted to a wall or ceiling.



When viewed from below



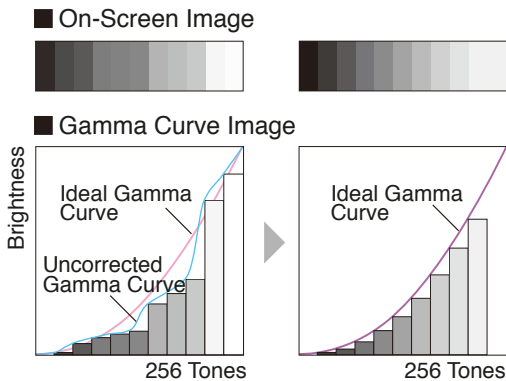
Up View Off



Up View On

**Smooth Gradations**

The DuraVision FDF2306W converts an 8-bit input signal from a PC to 14-bit and selects the most appropriate tones from a 14-bit look-up-table (LUT). The signal is then converted back to 8-bit for smooth gradations.



**LED Backlight**

The monitor is equipped with an LED backlight that has a wide dimming range adjustable to as low as 3 cd/m<sup>2</sup>. This provides flexibility and comfort when using the monitor in environments with low or changing ambient lighting.

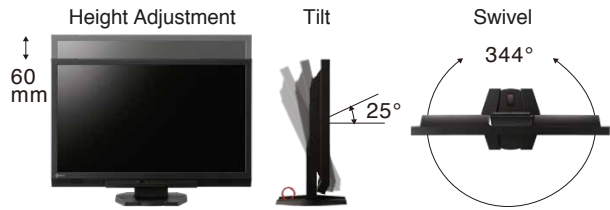
**Compact Remote Control**

Change inputs, sound, screen size, and other settings with the included remote control.



**Versatile Positioning**

Adjust the monitor to the most comfortable position with height adjustment, tilt, and swivel capability. The stand can be easily removed for wall mounting with VESA support.



**2-Year, 24-Hour Use Warranty**

The monitor is built for 24-hour use and is backed by a two-year manufacturer's warranty for long-term reliability.

**Additional Features**

- DVI-D × 1, D-Sub mini × 1, HDMI inputs × 2
- Non-glare panel
- Noise Reduction function that reduces the amount of block noise due to video compression
- Overdrive circuit that minimizes ghosting and blurring during high motion scenes
- Contrast Enhancer which increases contrast ratio to 5000:1 for clear display
- Automatic brightness adjustment which optimizes the screen's brightness according to ambient lighting

**Optional Accessories**

Panel to protect against dust and scratches.

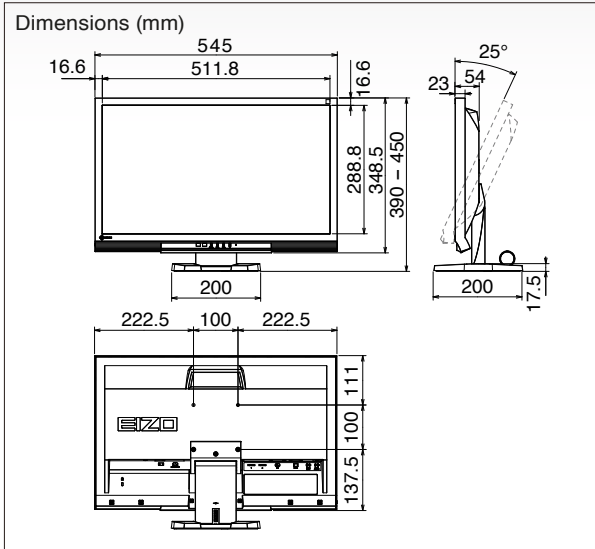
FP-2301W



1-axis wall mount arm with tilt and swivel capability.

LA-011-W





**SPECIFICATIONS**

<b>Cabinet Color</b>	Black
<b>Panel Type</b>	TN
<b>Backlight</b>	LED
<b>Panel Size</b>	23" / 58 cm (584 mm diagonal)
<b>Native Resolution</b>	1920 x 1080
<b>Viewable Image Size (H x V)</b>	509.7 x 286.7 mm
<b>Pixel Pitch</b>	0.266 x 0.266 mm
<b>Display Colors</b>	16.7 million
<b>Viewing Angles (H / V, typical)</b>	170°, 160°
<b>Brightness (typical)</b>	250 cd/m <sup>2</sup>
<b>Contrast Ratio (typical)</b>	1000:1 (5000:1 with ContrastEnhancer)
<b>Response Time (typical)</b>	10 ms (Black-White-Black)
<b>Input Terminals</b>	PC: DVI-D 24 pin (with HDCP), D-Sub mini 15 pin PC / AV: HDMI x 2
<b>Digital Scanning Frequency (H / V)</b>	HDMI: 15 - 68 kHz / 49 - 61 Hz (VGA Text: 69 - 71 Hz), DVI: 31 - 68 kHz, 59 - 61 Hz (VGA Text: 69 - 71 Hz)
<b>Analog Scanning Frequency (H / V)</b>	PC: 31 - 81 kHz, 55 - 76 Hz AV: -
<b>Sync Formats</b>	PC: Separate AV: -
<b>Speakers</b>	0.5 W + 0.5 W (stereo)
<b>Audio Input Terminals</b>	PC: 3.5 mm stereo jack x 1 PC / AV: HDMI x 2
<b>Audio Output Terminals</b>	3.5 mm stereo jack, 3.5 mm headphone jack
<b>Sound Adjustment</b>	Volume, Mute, Sound Level, source (HDMI)
<b>Power Requirements</b>	AC 100 - 120 V/ AC 200 - 240 V, 50 / 60 Hz
<b>Maximum Power Consumption</b>	38 W
<b>Typical Power Consumption</b>	19 W
<b>Power Save Mode</b>	Less than 0.4 W
<b>Standby Mode</b>	Less than 0.3 W
<b>Power Management</b>	DVI DMPM, VESA DPM
<b>Preset Modes</b>	Color Mode (User1, User2, sRGB)
<b>Auto EcoView</b>	Yes (Default: Disabled)
<b>OSD Languages</b>	English, French, German, Italian, Japanese, Simplified and Traditional Chinese, Spanish, Swedish
<b>Others</b>	Visibility Optimizer (Low-light Control, Defog, Auto Fog Detection, Outline Enhancer, Skin Tone Detection, Text Detection, Noise Reduction), Smoothing, Overdrive, Contrast Enhancer, Up View, Key Lock
<b>Dimensions (Landscape, W x H x D)</b>	545 x 390 - 450 x 200 mm
<b>Dimensions (Without Stand, W x H x D)</b>	545 x 348.5 x 54 mm
<b>Net Weight</b>	5.2 kg / 11.5 lbs
<b>Net Weight (Without Stand)</b>	3.9 kg / 8.6 lbs
<b>Height Adjustment Range</b>	60 mm
<b>Tilt</b>	25° Up, 0° Down
<b>Swivel</b>	172° Right, 172° Left
<b>Hole Spacing (VESA Standard)</b>	100 x 100 mm
<b>Operating Temperature</b>	5 - 35 °C
<b>Operating Humidity (R.H., non condensing)</b>	20 - 80 %
<b>Certifications &amp; Standards</b>	CB, CE, cTUVus, FCC-B, Canadian ICES-003-B, TUV/S, PSE, VCCI-B, CCC, RCM, EAC, RoHS, WEEE, China RoHS
<b>Supplied Accessories</b>	Power cord, Signal cable (DVI-D - DVI-D, HDMI - HDMI), remote control with battery, Screws for mount option, Setup manual, CD-ROM (PDF user's manual)
<b>Warranty</b>	Two Years

**EIZO Corporation**

153 Shimokashiwano, Hakusan, Ishikawa 924-8566 Japan

Phone +81-76-277-6792 Fax +81-76-277-6793

[www.eizoglobal.com](http://www.eizoglobal.com)

All product names are trademarks or registered trademarks of their respective companies. DuraVision and EIZO are registered trademarks of EIZO Corporation. Specifications are subject to change without notice.

Copyright © 2015 EIZO Corporation. All rights reserved.

## Assured Systems

Assured Systems is a leading technology company with over 1,500 regular clients in 80 countries, deploying over 85,000 systems to a diverse customer base in 12 years of business. We offer high-quality and innovative rugged computing, display, networking and data collection solutions to the embedded, industrial, and digital-out-of-home market sectors.

### US

[sales@assured-systems.com](mailto:sales@assured-systems.com)

Sales: +1 347 719 4508  
Support: +1 347 719 4508

1309 Coffeen Ave  
Ste 1200  
Sheridan  
WY 82801  
USA

### EMEA

[sales@assured-systems.com](mailto:sales@assured-systems.com)

Sales: +44 (0)1785 879 050  
Support: +44 (0)1785 879 050

Unit A5 Douglas Park  
Stone Business Park  
Stone  
ST15 0YJ  
United Kingdom

VAT Number: 120 9546 28  
Business Registration Number: 07699660