

# DFI TPC150 15" Touch Panel PC



## Features

- 3rd Generation Intel® Core™ processors
- 2nd Generation Intel® Core™ processors
- Intel® H61 Express chipset
- 15" 1024x768 TFT LCD Panel with Touch Screen
- IP65 front panel protection
- 1 2.5" SATA drive bay
- 2 USB 2.0 at the front panel for easy access
- 5 function keys at the front panel
- Built-in antenna for optional Wi-Fi
- VESA/ Wall/ Panel Mount

Optional  
Optical Drive

Customizable  
Bezel

Customizable  
Touch Screen

## System Specifications

### PROCESSOR SYSTEM

- Processors:
  - 3rd generation Intel® Core™ processors
  - 2nd generation Intel® Core™ processors
  - Supports up to 77W TDP
- Intel H61 Express chipset

### MEMORY

- Two DDR3 1333/1600MHz SODIMM sockets (3rd generation processors)
- Two DDR3 1066/1333MHz SODIMM sockets (2nd generation processors)
- Supports up to 16GB system memory

### LCD and TOUCH SCREEN

- 15" 1024x768 TFT LCD panel with touch screen
- Supports 5-wire Resistive Touch or 3M Surface Capacitive Touch
- 50,000 MTBF LED backlight
- Brightness (cd/m<sup>2</sup>): 250

### GRAPHICS

- Intel® HD Graphics
- Display ports: HDMI and DVI-I
- HDMI and DVI-I display resolution up to 1920x1200

### STORAGE

- 1 2.5" SATA drive bay
- 1 optical drive bay (optional)

### ETHERNET

- 1 Intel W82579LM Gigabit Ethernet Controllers
- 1 Intel W82574L Gigabit Ethernet Controllers

### AUDIO

- Realtek ALC886 5.1-channel High Definition Audio
- Two 3W speakers

### COM

- 1 RS232/422/485 COM port
- 1 RS232 COM port

### USB

- 2 Type A USB 2.0/1.1 ports at the front panel
- 4 Type A USB 2.0/1.1 ports at the bottom

### I/O

- Front
  - 2 Type A USB 2.0/1.1 ports
  - 5 function keys
  - 3 LED indicators: Power, HDD, Alarm
  - 1 built-in antenna
- Bottom
  - 1 DB-9 RS232/422/485 COM
  - 1 DB-9 RS232 COM
  - 1 PS/2 keyboard
  - 1 PS/2 mouse
  - 4 Type A USB 2.0/1.1
  - 3 audio jacks: Mic-in, Line-in, Line-out
  - 2 RJ45 LAN with LEDs
  - 1 DVI-I
  - 1 HDMI
  - 1 power switch

### EXPANSION

- 1 PCIe x1
- 1 PCI
- 1 Mini PCIe x1

### POWER

- Power type
  - ATX
- Power input voltage
  - AC 100-240V, 3.5A, 250W

### COOLING SYSTEM

- Smart fan system control suitable for quiet environments

### ENVIRONMENT

- Temperature
  - Operating: -10°C ~ 50°C
  - Storage: -20°C ~ 60°C
- Relative Humidity
  - 90% RH at 50°C, 1 week
- Corrosion
  - 4 periods of 7 days at 50°C with 90-95% relative humidity after 2 hours salt spray or waiver

### VIBRATION

- Operating: 1G, 5~500Hz
- Non-operating: 1.5G, 5~25Hz
- IEC 68-2-64 compliant

### SHOCK

- Operating: 3G peak acceleration (11 msec. duration)
- Non-operating: 10G peak acceleration (11 msec. duration)
- IEC 68-2-27 compliant

### FRONT PANEL PROTECTION

- IP65 (Dust Tight; Water Proof protection)

### CONSTRUCTION

- Aluminum front bezel (Stainless steel: option)
- Rear panel: sheet metal

### MOUNTING

- VESA mount: 75x75 and 100x100
- Wall mount bracket (option)
- Panel mount: mounting clamp (option)

### DI MENSIONS

- 410mm x 320mm x 106mm (W x H x D)

### WEI GHT

- 9.6 kg

### OS SUPPORT

- Windows XP Pro (WES2009)
- Windows Vista
- Windows 7 (WS7P)
- Windows 8 and Windows 8 Embedded Q4 2012
- Linux Ubuntu 13

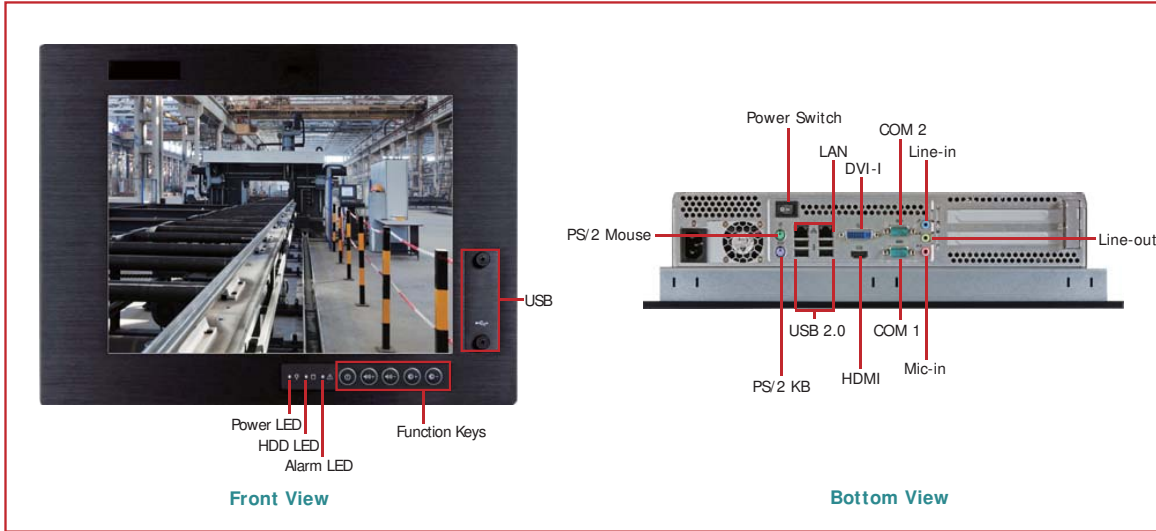
### CERT I FICATION

- CE
- FCC Class A
- UL

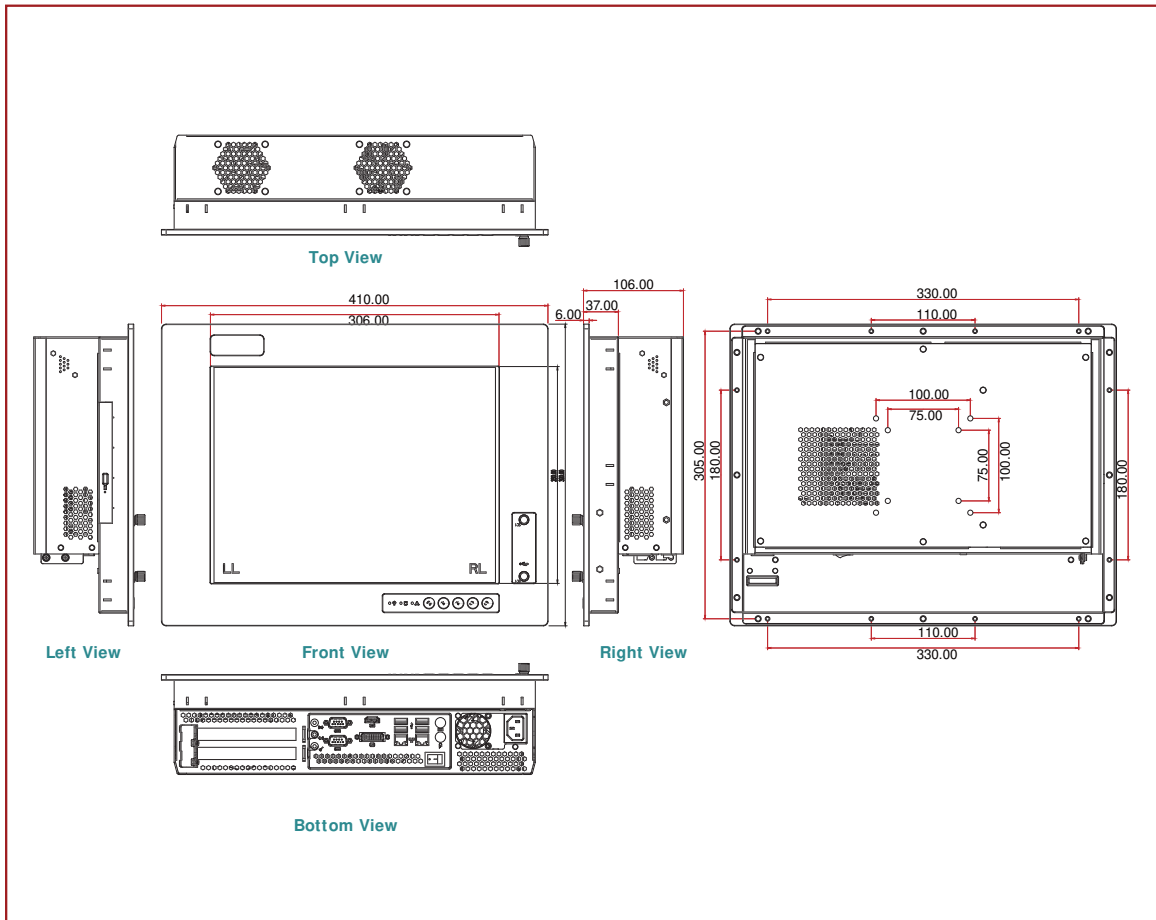
# TPC150 15" Touch Panel PC



## Panel



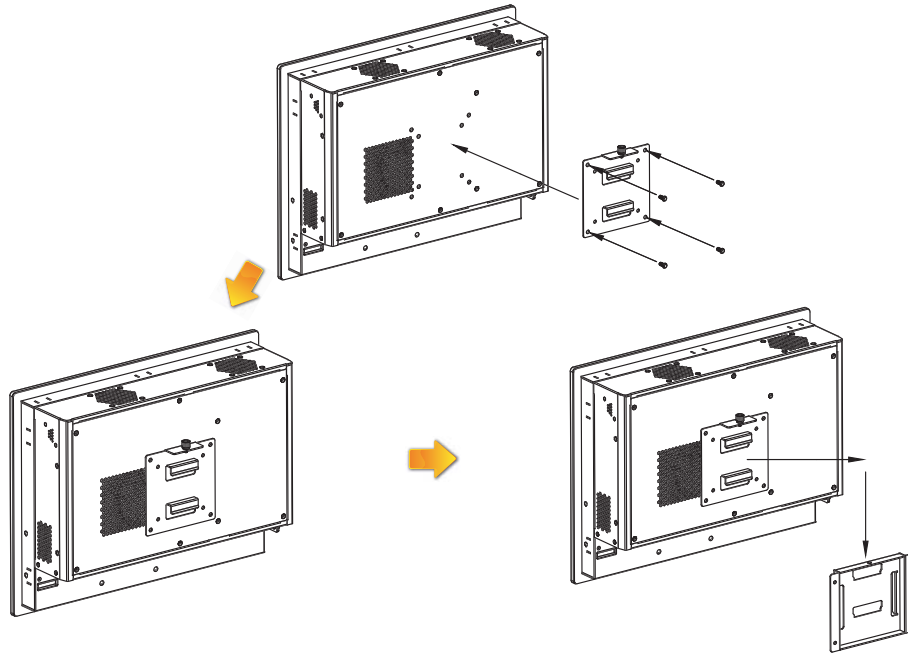
## Dimensions



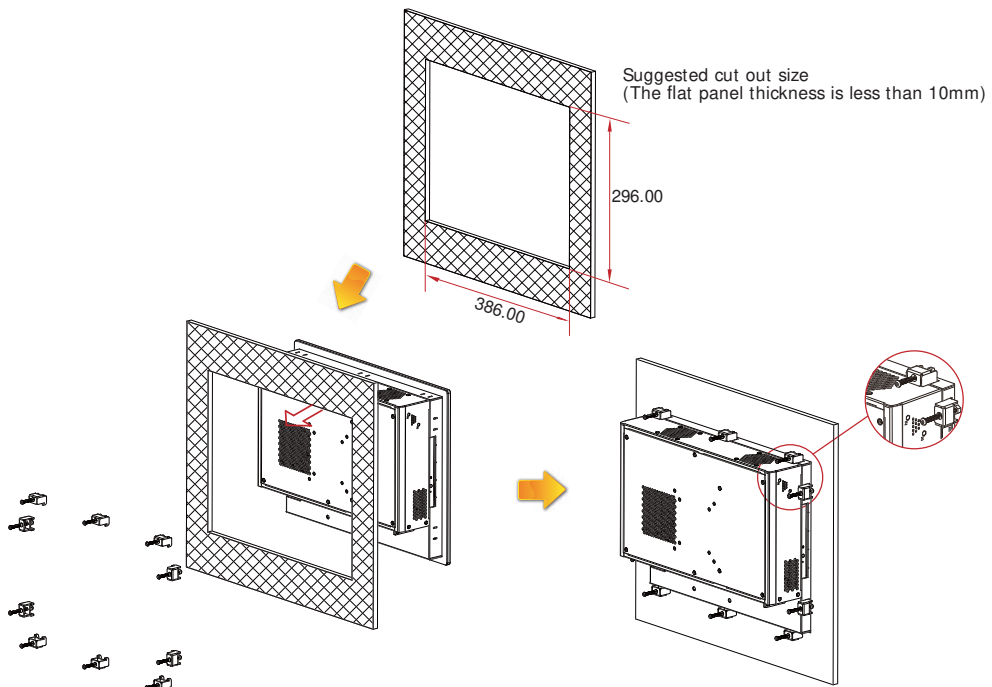
# DFI<sup>®</sup> TPC150 15" Touch Panel PC

## Mounting

### Wall Mounting



### Panel Mounting



# TPC150 15" Touch Panel PC



## Packing List

- 1 TPC150 Touch Panel PC
- 1 Quick Installation Guide
- 1 CD disk includes:
  - Drivers / Manual

## Ordering Information

Model Name	Part Number	Description
TPC-1502TR-SBACR-R10	750-TPC150-000G	15" Panel PC, H61 chipset, Aluminum Front Bezel , Resistive Touch, AC input, R10
TPC-1502TS-SBACR-R10	750-TPC150-100G	15" Panel PC, H61 chipset, Aluminum Front Bezel, 3M Surface Capacitive Touch, AC input, R10
TPC-1503TR-SBACR-R10	750-TPC150-200G	15" Panel PC, H61 chipset, Stainless Front Bezel, Resistive Touch, AC input, R10
TPC-1503TS-SBACR-R10	750-TPC150-300G	15" Panel PC, H61 chipset, Stainless Front Bezel, 3M Surface Capacitive Touch, AC input, R10
TPC-1501-SBACR-R10	750-TPC150-500G	15" Panel PC, H61 chipset, Open Frame, AC input, R10

## Optional Items

Optional Items	Part Number	Description
<b>CPU</b>	785-CP1155DL	CPU, LGA 1155, Long-term support, RoHS
<b>Memory</b>	785-RSOD31G	SODIMM, DDR3, 1GB, RoHS
	785-RSOD32G	SODIMM, DDR3, 2GB, RoHS
	785-RSOD34G	SODIMM, DDR3, 4GB, RoHS
<b>HDD</b>	785-H25250G	2.5" SATA HDD, 250GB, RoHS
	785-H25500G	2.5" SATA HDD, 500GB, RoHS
<b>Power Cord</b>	785-PWRD	Power cord, Standards (USA/EUR/CH), 1.8m, RoHS
<b>Wall Mount</b>	785-PPCWMK	Standard Panel PC Wall Mount kit
<b>Panel Mount</b>	785-150PMK	15" Panel PC Panel Mount kit
<b>DVD-ROM</b>	785-STDDRW	Slim Type SATA DVD-RW/DVD ROM
<b>CD-RW ROM</b>	785-STCDRW	Slim Type SATA CD-RW/DVD ROM

## Assured Systems

Assured Systems is a leading technology company with over 1,500 regular clients in 80 countries, deploying over 85,000 systems to a diverse customer base in 12 years of business. We offer high-quality and innovative rugged computing, display, networking and data collection solutions to the embedded, industrial, and digital-out-of-home market sectors.

### US

[sales@assured-systems.com](mailto:sales@assured-systems.com)

Sales: +1 347 719 4508  
Support: +1 347 719 4508

1309 Coffeen Ave  
Ste 1200  
Sheridan  
WY 82801  
USA

### EMEA

[sales@assured-systems.com](mailto:sales@assured-systems.com)

Sales: +44 (0)1785 879 050  
Support: +44 (0)1785 879 050

Unit A5 Douglas Park  
Stone Business Park  
Stone  
ST15 0YJ  
United Kingdom

VAT Number: 120 9546 28  
Business Registration Number: 07699660