



**MAF1000V2 IP65
Waterproof Monitor**

Introduction

MAF1000V2 series by Inelmatic Electronics is the new generation rugged milling metal frame monitor with waterproof function, which follow IP65 ingress protection (IP67 optional), low power consumption, super fast reponse time, including IPS panel / AFFS+ technology (superior to transfective technology). It's the ideal solution for outdoor usage, or harsh environments.



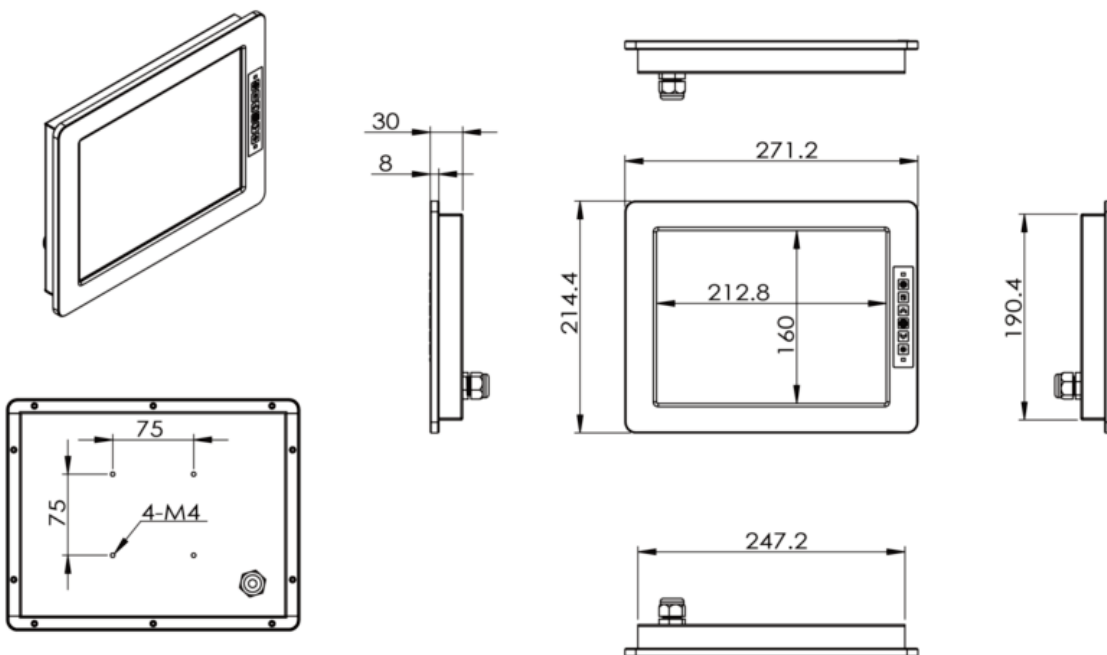
The MAF1000V2 includes a high featured controller with automatic and manuel backlight adjustment, depending of the ambient light, which makes it suitable for applications from the darkest night(NVIS) to the bright sun light. Besides, the MAF1000V2 optionally includes a resistive / capacitive (PCAP) touch panel with USB controller, adding interactivity.

The MAF1000V2 is available with VGA input as standard, optional DVI / HDMI, Composite Video and S-Video inputs. All inputs are available as factor option on the rear panel. Optionally it includes "all in one cable", with a lockable connector for an easy and quick installation.

Main features

- * Resistive / Projected Capacitive (PCAP) touch optional.
- * Sunlight readable.
- * 9-36V DC power supply.
- * Low power consumption.
- * High brightness low power LED backlight.
- * Automatic backlight dimmer.
- * Wide temperature range.
- * Milling aluminium front and metal folding behind.
- * Customization available for small qty.
- Autopower on/off by VGA signal.

Drawing





**MAF1000V2 IP65
Waterproof Monitor**

Specifications

Size	10.4 Inches XGA TFT Liquid Crystal Display
Aspect	4:3
Inputs	VGA, HDMI, DVI, 2x AV optional
Audio	None
Touch Panel	Resistive/Capacitive touch(PCAP), 3mm Chemically Strengthened Cover Lens
Power supply	9-36VDC
Power consumption	9W
Mounting	VESA 75mm, customization available
Warranty	12 months international, 24 months Europe.
Certification	CE, RoHs, IEC60945*, EN50155* and EN45545*, *under customer request.

Mechanical and environmental specs

Dimensions	271.2 x 214.4 x 30 mm
Weight	1380gr
Enclosure	Milled Aliminum , folded Aluminum
Operation temperature	-30°C to 75°C
Storage temperature	-40°C to 85°C
Vibrations / Shock	1G rms / 40G 11ms
Environment	IP65 chassis
Material	Milling aluminium parts, black anodized/ powder coating
Others	Low flamability, Halogen Free

Optical specifications

Brightness	400/600/1200nits
Contrast	500:1
Colors	256K
Native resolution	1024x768px
Outdoor readability	Meets MIL-STD-3009 (sunlight readable version MAF1000V2SHB-US / UPS)
NVIS	Optional NVIS B compliant

ORDER INFORMATION

	MAF1000V2XX-X Y V A - XX	
XX - HB : High Brightness T : Normal Brightness	XX - Surface treatment R : Glossy RG : Diffuse
X - Touch Screen Option U : USB N : W/O Touch panel	A - Audio Option N : W/O Audio A : Stereo Audio
Y - Optical Option N : Normal D : Day Light readable S : Sun Light readable	V - Video Option N : W/O Video V : Video input

Example: MAF1000V2HB-UPS4.5 10.4 inches XGA Panel, 600nits, sunlight readable, PCAP touch, video, 4.5m all in one cable

Assured Systems

Assured Systems is a leading technology company with over 1,500 regular clients in 80 countries, deploying over 85,000 systems to a diverse customer base in 12 years of business. We offer high-quality and innovative rugged computing, display, networking and data collection solutions to the embedded, industrial, and digital-out-of-home market sectors.

US

sales@assured-systems.com

Sales: +1 347 719 4508
Support: +1 347 719 4508

1309 Coffeen Ave
Ste 1200
Sheridan
WY 82801
USA

EMEA

sales@assured-systems.com

Sales: +44 (0)1785 879 050
Support: +44 (0)1785 879 050

Unit A5 Douglas Park
Stone Business Park
Stone
ST15 0YJ
United Kingdom

VAT Number: 120 9546 28
Business Registration Number: 07699660