

10.1" Rugged Tablet PC

M101M4

Product Features:

- 10.1" 1280x800 LED Panel with P-Cap Touch
- High performance ARM Cortex A7 Quad Core 1.5GHz
- Android 4.2
- IP65 water and dust proof
- Dual Camera Design: 8MP Main camera with LED flash / 2MP Webcam
- MIL-STD-810G Shock / Drop / Vibration
- With Optical Bonding for Sunlight Readability

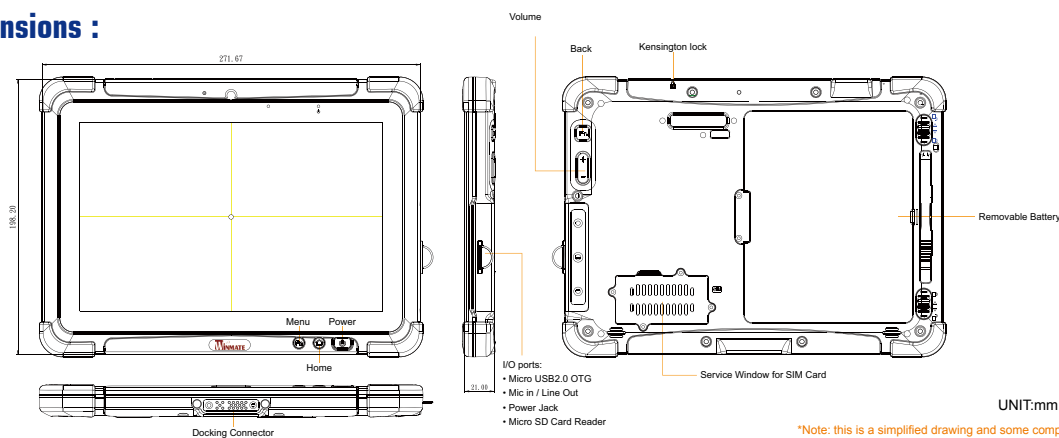


Product Specifications:



Size	10.1"	
Model Name	M101M4	
System Specification	Processor	ARM Cortex A7 Quad Core 1.5GHz
	System Memory	1GB
	Storage	16GB eMMC
Display Specification	Operating System	Android 4.2
	Size / Technology	10.1-inch
	Resolution	1280 x 800
	Brightness	300 nits With Optical Bonding
	Touch	Multi-Touch Projective Capacitive
	Contrast Ratio	800:1
	Viewing Angle	89/89/89/89
Wireless Communication	Display Color	16.7M (6bit + HFRC)
	WLAN	802.11 a/b/g/n
	Bluetooth	Bluetooth 3.0
	GPS	Built-in / Optional u-Blox NEO-6Q
	WWAN	Built-in 3G / Optional 4G LTE
System I/O Buttons Indicators Sensors Security	Audio	Built-in 1W Speaker x 2
	External I/O	1 x Micro USB 2.0 OTG, 1 x Audio Combo Conn. (Mic in or Line Out), 1 x Power Jack, 1 x Micro SD Card Reader
	Buttons	Power / Home(Menu) / Back / Vol + / Vol -
	LED Indicators	1 x Status Indicator
Data Capture	Sensors	Light Sensor / G- Sensor / Gyroscope / E-Compass
	Security	Kensington lock
	Camera	Front: 2MP Camera with built-in microphone Rear: 8MP Auto-Focus Camera with LED Flash
Mechanical and Environment	Dimension (W x L x H)	271.67 x 198.2 x 21 mm
	Weight	1.15Kg
	Operating Temperature	-10°C to 50°C (Battery mode)
	Storage Temperature	-20°C to 60°C (-4°F to 140°F)
	Humidity	30% to 90% RH, non-condensing
	IP Proof	IP65
	Shock	MIL-STD-810G Method 516.6 Procedure I
	Vibration	MIL-STD-810G Method 514.6 Procedure I
	Drop	MIL-STD-810G Method 516.6, 4 ft to concrete
	Certifications	CE, FCC
Power Management	Power Input	12V DC in
	Battery	7.4V 5140mAh Li-ion Battery (2S1P)
	Battery Operating Time	Std. Battery: 10 hours **
	Adapter	100-240 AC to 12V DC out Power Adapter

Dimensions :



*Note: this is a simplified drawing and some components are not marked in detail. Please contact our sales representative if you need further product information.
**Note: Measured at dimming LCD brightness. Varies depending on the usage conditions, or when an external device is attached.

Assured Systems

Assured Systems is a leading technology company with over 1,500 regular clients in 80 countries, deploying over 85,000 systems to a diverse customer base in 12 years of business. We offer high-quality and innovative rugged computing, display, networking and data collection solutions to the embedded, industrial, and digital-out-of-home market sectors.

US

sales@assured-systems.com

Sales: +1 347 719 4508
Support: +1 347 719 4508

1309 Coffeen Ave
Ste 1200
Sheridan
WY 82801
USA

EMEA

sales@assured-systems.com

Sales: +44 (0)1785 879 050
Support: +44 (0)1785 879 050

Unit A5 Douglas Park
Stone Business Park
Stone
ST15 0YJ
United Kingdom

VAT Number: 120 9546 28
Business Registration Number: 07699660