



6th Gen Intel® Core™ Processor
Desktop Box IPC



ST102-SD

H110



Features

- Supports 4GB/8GB DDR4 SODIMM
- 1x 2.5" SATA drive bay
1x optional slim ODD bay
- 2 LAN, 4 USB



Panel

Front View

- Slim ODD bay (optional)
- HDD LED
- Power LED
- Power Button
- USB 2.0
- Mic-in
- Line-out

Rear View

- DC-in
- DVI-I
- HDMI/DP
- USB 3.0
- LAN1~2

Stand View

Dimensions

Front View: 79.10 (height), 75.10 (width)

Left View: 3.10 (depth)

Right View: 229.70 (height)

Rear View: (width)



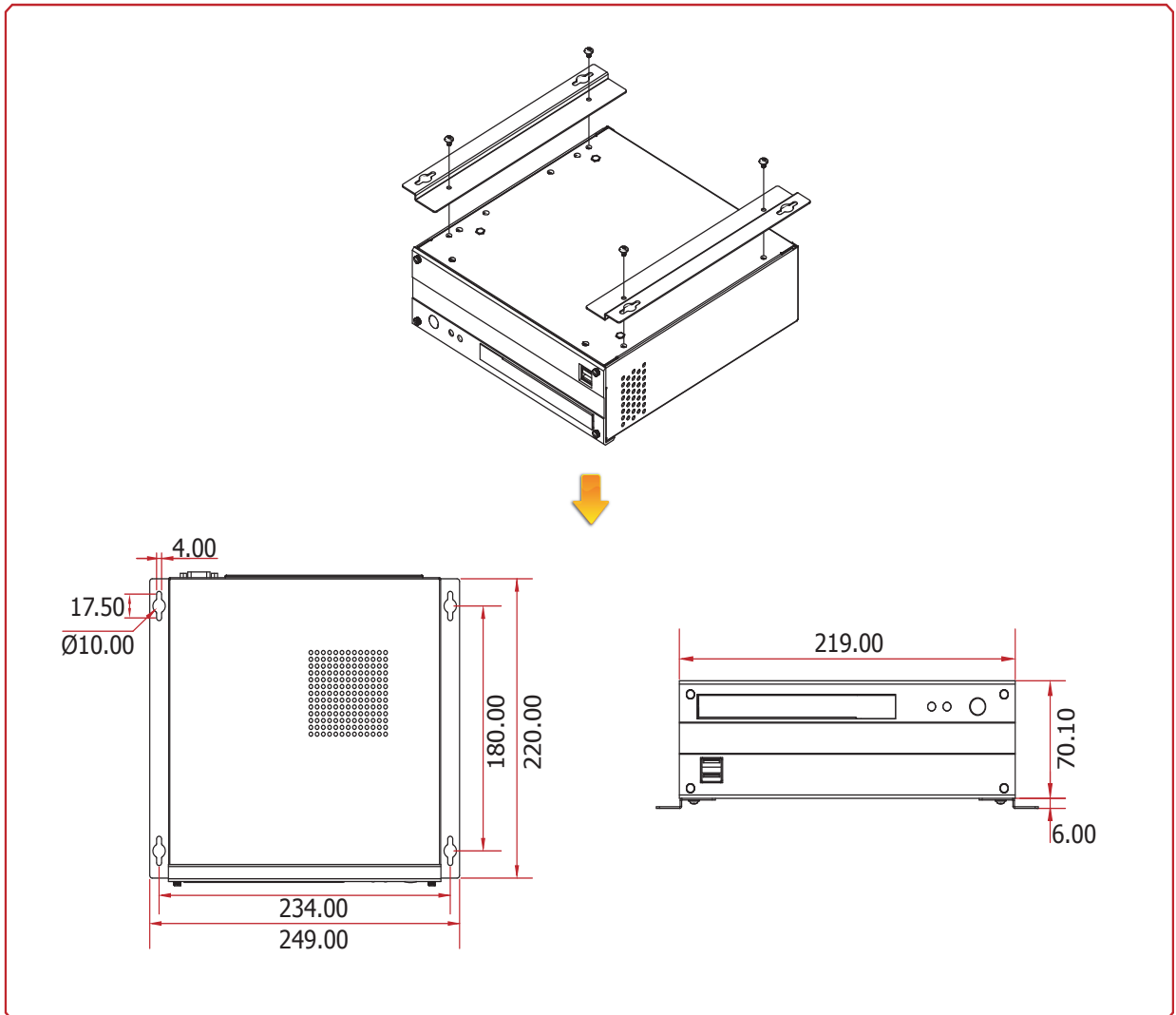
Specifications

| | | | |
|-------------------------------------|---------------------------------|---|--|
| SYSTEM | Processor | 6th/7th Generation Intel® Core™ Processors, LGA 1151 Socket Intel® Core™ i7-7700T, Quad Core, 8M Cache, 2.9GHz (3.8GHz), 35W Intel® Core™ i5-7500T, Quad Core, 6M Cache, 2.7GHz (3.3GHz), 35W Intel® Core™ i3-7101T, Dual Core, 3M Cache, 3.4GHz, 35W Intel® Celeron® Processor G3930TE, Dual Core, 2M Cache, 2.7GHz, 35W Intel® Core™ i7-6700TE, Quad Core, 8M Cache, 2.4GHz (3.4GHz), 35W Intel® Core™ i5-6500TE, Quad Core, 6M Cache, 2.3GHz (3.3GHz), 35W Intel® Core™ i3-6100TE, Dual Core, 4M Cache, 2.7GHz, 35W Intel® Pentium® G4400TE, Dual Core, 3M Cache, 2.4GHz, 35W Intel® Celeron® Processor G3900TE, Dual Core, 2M Cache, 2.6GHz, 35W | |
| | Chipset | Intel® H110 Chipset | |
| | Memory | 4GB/8GB Two 260-pin SODIMM | Dual Channel DDR4 1866/2133/2400MHz |
| | BIOS | AMI SPI 64Mbit | |
| | GRAPHICS | Controller | Intel® HD Graphics |
| | Feature | Supports 6 Graphics Execution Units (EUs) Intel® Clear Video Technology DirectX Video Acceleration (DXVA) support for accelerating video processing | |
| | Display | 1 x DVI-I (DVI-D signal) 1 x HDMI/DP (DP available upon request) | DVI-I: resolution up to 1920x1200 @ 60Hz HDMI: resolution up to 2560x1600 @ 60Hz or 4096x2160 @ 60Hz DP: resolution up to 4096x2304 @ 60Hz |
| | Dual Displays | DVI-I (DVI-D signal) + HDMI/DP | |
| STORAGE | | 1 x 2.5" SATA 3.0 Drive Bay 1 x Slim ODD Bay (optional) | |
| AUDIO | Audio Codec | Realtek ALC888 | |
| ETHERNET | Controller | 1 x Intel® I210AT PCIe (10/100/1000Mbps) 1 x Intel® I219LM PCIe with iAMT11.0 (10/100/1000Mbps) | |
| LED | Indicators | 1 x Power LED 1 x HDD LED | |
| FRONT I/O | USB | 2 x USB 2.0 | |
| | Audio | 1 x Line-out 1 x Mic-in | |
| | Buttons | 1 x Power Button | |
| REAR I/O | Ethernet | 2 x GbE (RJ-45) | |
| | USB | 4 x USB 3.0 | |
| | Display | 1 x DVI-I (DVI-D signal) 1 x HDMI/DP | |
| COOLING | Fan | 1 x System Fan 1 x CPU Fan | |
| WATCHDOG TIMER | Output & Interval | System Reset, Programmable via Software from 1 to 255 Seconds | |
| POWER | Type | 12V | |
| | Connector | DC Jack | |
| OS SUPPORT | | Windows 10 IoT Enterprise 64-bit | |
| MECHANISM | Construction | Sheet Metal & Aluminum | |
| | Mounting | Wall mount | |
| | Dimensions (W x H x D) | 219mm x 77.15mm x 229.7mm | |
| | Weight | TBD | |
| ENVIRONMENT | Operating Temperature | 0 to 40°C | |
| | Storage Temperature | -20 to 70°C | |
| | Relative Humidity | 10 to 85% RH (non-condensing) | |
| STANDARDS AND CERTIFICATIONS | Shock | Operating: 3G | Non-operating: 5G |
| | Vibration | Operating: Random 5~500Hz 1G | Non-operating: Sweep Sine 10~500Hz 1.5G |
| | Package Drop | ISTA Project 1A | |
| | Certification | CE/FCC/VCCI/RoHS | |



ST101-HD171

▶ **Wall Mounting**



ST101-HD171



► **Ordering Information**

| Model Name | Part Number | Description |
|------------|-----------------|---|
| ST102-SD | 750-ST1020-091G | ST101-HD171: HD171-H81, 12V DC-in, RoHS |

► **Optional Items**

| Optional Items | Part Number | Description |
|----------------------|-----------------|---|
| Power Adapter | 671-110005-100G | AC input, DC output 12V 100W, Level 6 |
| Slim ODD | 632-222010-010G | DVD RW Slim Type SATA,DS-8ACSH, PLDS |
| CPU | 785-1150DL | CPU, LGA1150, Long-term support, RoHS |
| Memory | 785-RSOD38G-L | SODIMM, DDR3L Module (supports dual voltage 1.5V DDR3/1.35V DDR3L), 8GB, RoHS |
| | 785-RSOD34G-L | SODIMM, DDR3L Module (supports dual voltage 1.5V DDR3/1.35V DDR3L), 4GB, RoHS |
| | 785-RSOD32G-L | SODIMM, DDR3L Module (supports dual voltage 1.5V DDR3/1.35V DDR3L), 2GB, RoHS |
| | 785-RSOD31G | SODIMM, DDR3 Module, 1GB, RoHS |
| HDD | 785-H25500G | 2.5" SATA HDD, 500GB, RoHS |
| | 785-H25320G | 2.5" SATA HDD, 320GB, RoHS |
| | 785-S251TBG | 2.5" SATA SSD, 1TB MLC, RoHS |
| | 785-S25512G | 2.5" SATA SSD, 512GB MLC, RoHS |
| | 785-S25256G | 2.5" SATA SSD, 256GB MLC, RoHS |
| | 785-S25128G | 2.5" SATA SSD, 128GB MLC, RoHS |
| | 785-S25064G | 2.5" SATA SSD, 64GB MLC, RoHS |
| SSD mSATA | 785-MS128GTF | mSATA Card, 128GB 3D TLC, RoHS |
| | 785-MS256GTF | mSATA Card, 256GB 3D TLC, RoHS |
| | 785-MS512GTF | mSATA Card, 512GB 3D TLC, RoHS |
| | 785-MS1TTF | mSATA Card, 1TB 3D TLC, RoHS |
| Wi-Fi | 761-110091-000G | Wi-Fi Kit, RoHS |
| Power Cord | 785-PWRD | Power Cord, Standards (USA/EUR/CH), 1.8m, RoHS |

► **Packing List**

| |
|------------------------------|
| • 1 ST101-HD171 system unit |
| • 1 CPU cooler |
| • 1 HDD drive bay kit |
| • 1 Heatsink/fan |
| • 1 Quick Installation Guide |
| • 1 CD disk includes: |
| - Drivers / Manual |

Assured Systems

Assured Systems is a leading technology company with over 1,500 regular clients in 80 countries, deploying over 85,000 systems to a diverse customer base in 12 years of business. We offer high-quality and innovative rugged computing, display, networking and data collection solutions to the embedded, industrial, and digital-out-of-home market sectors.

US

sales@assured-systems.com

Sales: +1 347 719 4508
Support: +1 347 719 4508

1309 Coffeen Ave
Ste 1200
Sheridan
WY 82801
USA

EMEA

sales@assured-systems.com

Sales: +44 (0)1785 879 050
Support: +44 (0)1785 879 050

Unit A5 Douglas Park
Stone Business Park
Stone
ST15 0YJ
United Kingdom

VAT Number: 120 9546 28
Business Registration Number: 07699660