



Mar 17, 2017 Fri  
10:22:08



TODAY  
8°C/15°C

Full  
Mirror

Touch Screen To Begin

New  
Arrivals

Virtual  
Size  
Guide

Womens  
Fashion

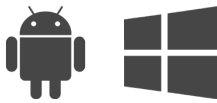
Womens  
Accessories

50" Mirror PCAP Touch Screen  
with Dual OS

## Overview

### Dual OS

The integrated PC has both Windows and Android operating systems installed. Seamlessly switch between the two for the most versatile Touch Screen solution on the market.



### Mirror Finish

The perfect balance between reflection and transparency is achieved with a combination of the 450cdm<sup>2</sup> brightness commercial panel used and the specially treated glass.

### Audio

The screen has two integrated speakers but also has an audio out port for connecting headphones or external speakers.

### Connectivity

If you don't want to use the screen's integrated PC you can attach your own device, such as a media player or high performance PC, using the HDMI or VGA inputs.

### 10-Point PCAP Touch Technology

Using the most responsive and sensitive commercial touch technology available. Not affected by dust or debris on the screen surface.

### IPS Panel

With 450cd/m<sup>2</sup> the IPS panel shines brightly through the reflective mirror while delivering superior image quality and colour depth at 178° ultra wide viewing angle in both landscape and portrait orientations.

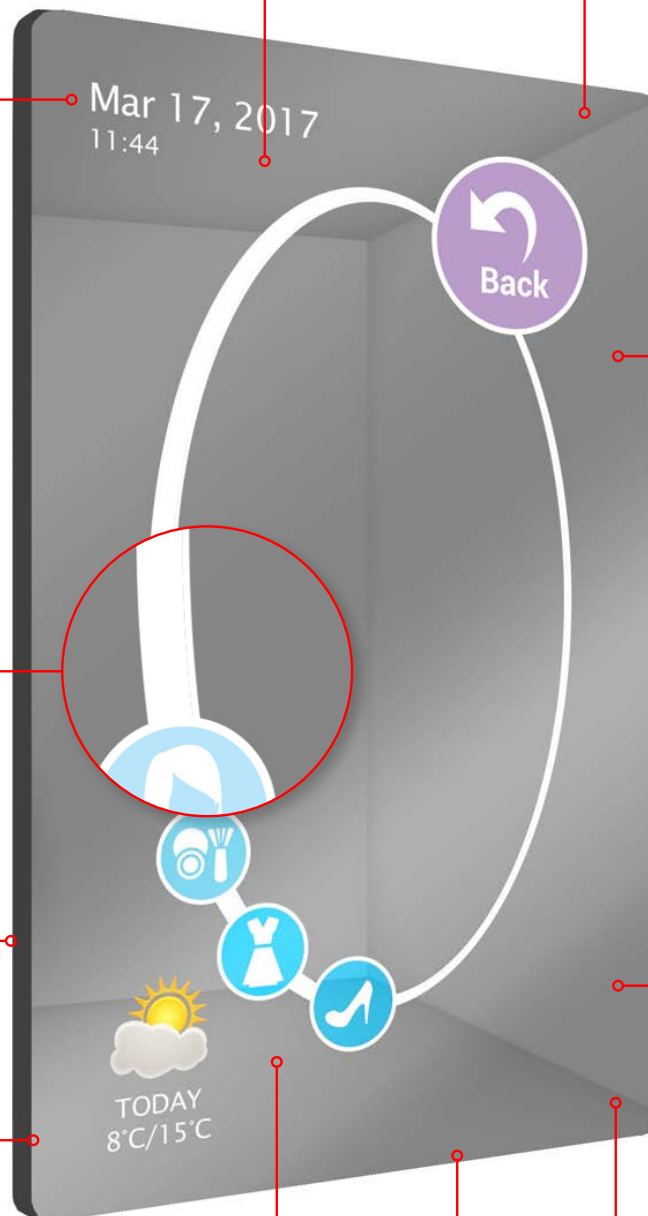


### LED Backlight

Improves brightness and contrast as well as improving their lifespan and reducing their power consumption. Unlike other forms of light this technology is mercury free; making it even more eco-friendly. The panel and backlight have a lifespan in excess of 50,000 hours.

### Commercial Grade

Designed for use in commercial applications this Touch Screen can run 24/7. No external buttons or controls to avoid tampering.



### Portrait/Landscape Orientation

The Touch Screen can be used in either a landscape or portrait orientation depending on your requirement.

### USB Ports

Attach third party peripherals to the internal PC via the Touch Screens two USB ports.

### Built in Wi-Fi

As well as having an Ethernet port you can wirelessly connect to the internet thanks to the built in Wi-Fi.

*Create experiences for users to remember as they interact with the mirror!*



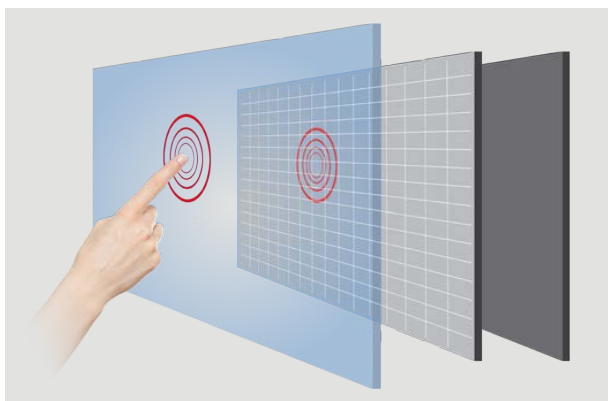
## Interactive Mirror

Add some magic to your Touch Screen with our Mirror PCAP Touch Screens. The stunning display is sure to create an impression on users as they interact with the mirror! Suitable for a wide range of applications from fitting rooms, retail stores, from hotels to parties the list of possibilities is endless with such a unique display like this. With a brightness of 450cd/m2 the screen is perfectly calibrated so content in white shine bright for users and areas left in black are reflective.



## Dual OS

Experience the most versatile commercial touch screen on the market. With both Android and Windows operating systems installed on the integrated PC it cannot be beaten on flexibility. Seamlessly switch from your Windows desktop to the Android apps; this screen has it all in one convenient package. A Windows license will need to be purchased separately.



## PCAP Touch

State of the art Projected Capacitive interactive technology offers the most responsive and sensitive touch experience available. Designed for commercial applications, PCAP touch technology works by fixing a sensor grid between a layer of cover glass/mirror and the LCD panel, when a finger touches the glass the grid detects the coordinates of the touch point. Unlike other touch technologies PCAP is not affected by dust or debris on the screen surface, allows for up to 10 touch points and offers superior optical quality.



## Touch CMS Upgrade

Upgrade your Mirror Touch Screen to our ground-breaking Touch Screen Cloud Management System as you take full control over the display and create, deploy your very own content to screen. The first step is to create your own custom layouts, fill your pages with galleries, images, webzones and much more and insert buttons to help users navigate around. Next deploy your content direct to anywhere in the world via your PC in a matter of seconds. All that is left to do is be amazed as your mirror comes to life, areas on your content left in the dark before will transform into a mirror and the perfect canvas for your brand, company, service or product.



## Features

### 10 Point Touch



Having up to 10 touch points allows for a wider variety of applications than ever before. This kind of functionality allows you to manipulate images, zoom in an out as well as perform many other touch gestures; much like you would with a domestic tablet. It also allows for multiple users interacting with the screen at one time.

### LED Backlight



The LED backlight used is not only eco-friendly but also ensures the display has enhanced brightness and contrast. This technology increases the lifespan and reduces the power consumption by around 30%. This form of light technology is mercury free; safeguarding this screen's eco friendliness.

### Attach External Devices



Although the screens have an integrated PC with two operating systems, there is also a possibility to attach external devices if required. Simply connect your device to the screen, via VGA or HDMI (for the video signal) and USB (for the touch functionality). The screen will then serve as your computer monitor and the touch functionality controls the cursor, essentially acting as your mouse.

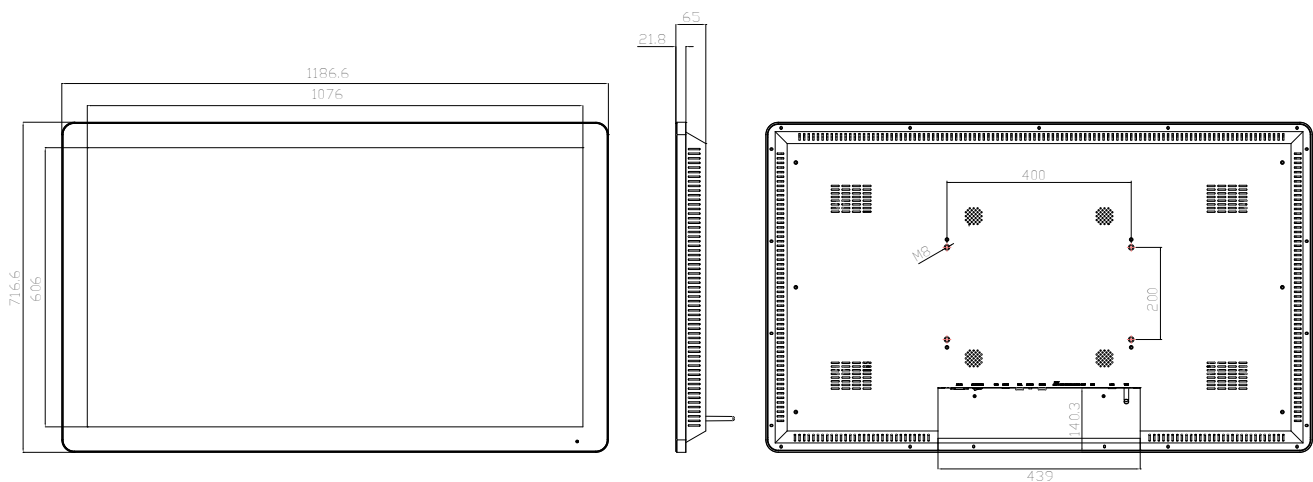
### 24/7 Usage



Built with commercial grade panel and components these displays are designed to run 24/7 in constant use; unlike domestic tablets. The panel also has a lifespan of over 50,000 hours of continuous use. They can also be used in landscape or portrait orientation.

<b>Panel</b>	Display Size	50 Inch
	Resolution	1920x1080
	Display Area (mm)	1076x606
	Aspect Ratio	16:9
	Pixel Pitch (mm)	0.576x 0.576
	Brightness (cd/m <sup>2</sup> )	450
	Brightness with touch panel (cd/m <sup>2</sup> )	383
	Colour	16.7M
	Viewing Angle	178°
<b>Touch</b>	Contrast Ratio	5000:1
	Touch Technology	Projected Capacitive
	Touch Points	10
<b>Audio</b>	Glass Hardness	7H minimum
	Speaker Type	2W, 5Ω (x2)
<b>AV Inputs/ Outputs</b>	Video Inputs (when used as monitor)	HDMI, VGA
	Audio Input (when used as monitor)	Audio Socket (3.5mm)
	Audio Output (internal PC)	Audio Socket (3.5mm)
<b>Power</b>	Power Consumption (W)	75
	Input Voltage	AC110~240V (50Hz~60Hz)
<b>Mechanical</b>	Unit Size (WxHxD mm)	1186.6x716.6x65
	VESA Holes (mm)	400x200
	Net Weight (Kg)	30.6
	Gross Weight (Kg)	36.65
	Package Size	1320x850x260
<b>Environmental</b>	Operating Temperature	0°C to 50°C
	Storage Temperature	-30°C to 60°C
	Operating Humidity	10% to 80%
	Storage Humidity	5% to 95%
<b>Computer</b>	CPU	Intel® Atom™ (Quad-core) x5-Z8350 Processor (2M Cache, up to 1.92 GHz)
	RAM	2GB (DDR3L-RS 1600MHz)
	Architecture	64-bit
	Graphic Engine	Intel® HD Graphics 400 (8th Gen, Supports DirectX11.2, OpenGL4.4 and OpenCL 2.0)
	Hard Drive/Internal Memory (eMMC)	32GB
	USB Ports	2 x USB 2.0
	LAN	10/100/1000 Ethernet
	Wi-Fi	802.11b/g/n
	OS Support	Android 5.1.1 Windows® 8 /8.1 64-bit, Windows® 10 64-bit, Windows 10 IoT Enterprise 64bit (licence purchased separately)
	Other	No accessible buttons or controls
<b>Accessories</b>	Included	Remote Control, User Manual, Power Cable, USB to USB Cable, Wi-Fi Aerial
	Optional	Special Wall Mount, Floor Stand/Trolley, Ceiling Mount, Table Stand

**Technical Drawing:**



Errors and omissions excepted

## Assured Systems

Assured Systems is a leading technology company with over 1,500 regular clients in 80 countries, deploying over 85,000 systems to a diverse customer base in 12 years of business. We offer high-quality and innovative rugged computing, display, networking and data collection solutions to the embedded, industrial, and digital-out-of-home market sectors.

### US

[sales@assured-systems.com](mailto:sales@assured-systems.com)

Sales: +1 347 719 4508  
Support: +1 347 719 4508

1309 Coffeen Ave  
Ste 1200  
Sheridan  
WY 82801  
USA

### EMEA

[sales@assured-systems.com](mailto:sales@assured-systems.com)

Sales: +44 (0)1785 879 050  
Support: +44 (0)1785 879 050

Unit A5 Douglas Park  
Stone Business Park  
Stone  
ST15 0YJ  
United Kingdom

VAT Number: 120 9546 28  
Business Registration Number: 07699660