



Industrial Solutions Partner!

SSD2825 V3

28" Resizing LCD, Brightness is 1000 nits, LED backlight, 1366x254 ultra wide aspect ratio 16:3

SSD2825 V3 is an innovative ultra-wide, LED backlight LCD display. It provides LCD panel with specific ratios for digital signage, public transportation, exhibition hall, department store, vending machine and industrial applications.

Key Features

- Resizing LCD
- Ultra Wide Screen (16 : 3)
- LED Backlight
- High Brightness 1000nits
- Wide Viewing Angle
- Low Power Consumption
- High Uniformity
- Wide Dimming
- Life Expectancy



Specifications

Preliminary

Model No.	SSD2825 V3
Description	28" Resizing LCD, 1000nits, LED backlight, 1366x254
Display Area	697.7 x 129.7 mm
Brightness	1000nits
Resolution	1366 x 254
Aspect Ratio	16 : 3
Contrast Ratio	3000:1
Pixel Pitch (mm)	0.51 x 0.51
Viewing Angle	178°(H), 178°(V)
Display Colors	16.7M
Response Time (Typical)	6.5 ms
Power Consumption	28W
Dimensions (mm)	745.6x183.3x51.5mm (w/o Handle)
Weight (Net)	5.8Kg
LED Driving Board	LID28A04
Control Board (Optional)	<input type="checkbox"/> AD2662GD
<input type="checkbox"/> AD2662GD	VGA+DVI
F / R Control Button	<input type="checkbox"/> 4 Key
<input type="checkbox"/> 4 Key	Power Switch, Menu, Select (+,-),
OSD Menu	Brightness, Contrast, H/V Position, Color, Phase, Clock...
Optional	<input type="checkbox"/> AOT <input type="checkbox"/> Touch Screen

Specifications are subject to change without notice.
All brands or product names are trademarks or registered trademarks of their respective companies.

SSD = Panel+ LED Driving Board + Control Board + Housing



Industrial Solutions Partner!

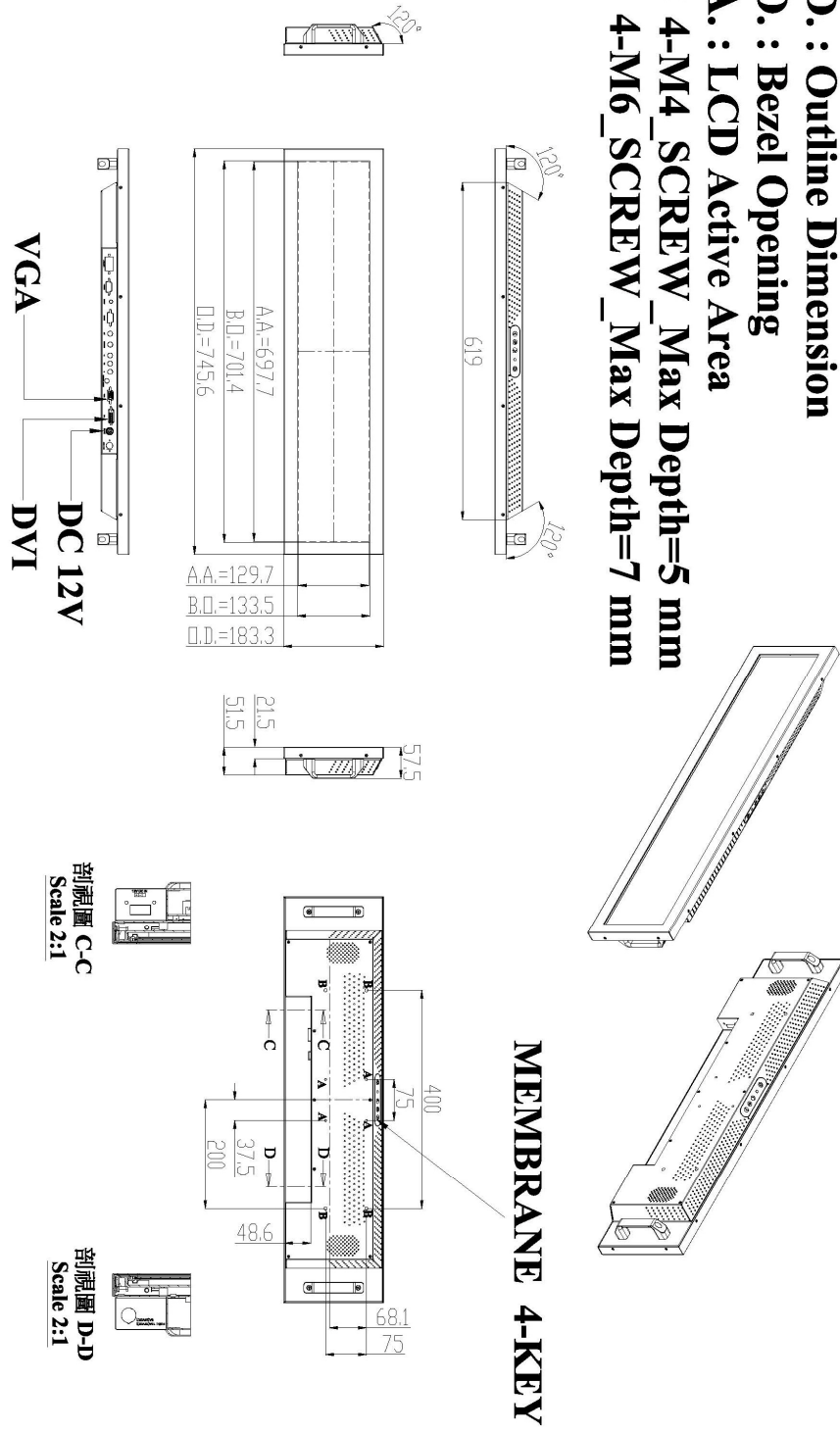
Mechanical Drawing

Panel Outline Dimensions

Unit: mm

Note :

- O.D. : Outline Dimension**
- B.O. : Bezel Opening**
- A.A. : LCD Active Area**
- A : 4-M4_SCREW_Max Depth=5 mm**
- B : 4-M6_SCREW_Max Depth=7 mm**



剖視圖 C-C
Scale 2:1

剖視圖 D-D
Scale 2:1



Industrial Solutions Partner!

Ordering Information

Part Number	Description
SSD2825-ENB-G21	28",1000nits,1366*254,O/B,AD2662GD, DC 12V,V03

Optional Accessories

Part Number	Description
840612051210	ADAPTER,AC/DC,12V/5.4A,65W,Atech OEM A065112-TDx,4P SLIDING CAP,P
810618301010	CABLE.POWER.AC.1830mm USA type
810618301090	CABLE.POWER.AC,1830mm Europe type
810618301050	CABLE.POWER.AC.1830mm UK type
810618301170	CABLE.POWER.AC,1830mm Australia type
810618301030	CABLE.POWER.AC.1830mm Japan type

Assured Systems

Assured Systems is a leading technology company with over 1,500 regular clients in 80 countries, deploying over 85,000 systems to a diverse customer base in 12 years of business. We offer high-quality and innovative rugged computing, display, networking and data collection solutions to the embedded, industrial, and digital-out-of-home market sectors.

US

sales@assured-systems.com

Sales: +1 347 719 4508
Support: +1 347 719 4508

1309 Coffeen Ave
Ste 1200
Sheridan
WY 82801
USA

EMEA

sales@assured-systems.com

Sales: +44 (0)1785 879 050
Support: +44 (0)1785 879 050

Unit A5 Douglas Park
Stone Business Park
Stone
ST15 0YJ
United Kingdom

VAT Number: 120 9546 28
Business Registration Number: 07699660