



Industrial Solutions Partner!

SSD1945-MNW_V1

19.4" TFT LCD, 1000 nits LED backlight

The **SSD1945-M** is a 19.4 inch industrial grade sunlight readable LCD, with high brightness 1000 nits and high color saturation, it produce sharp images, crisp text and lifelike colors. The Spanpixel LED backlight technology ensures high reliability and low power consumption, suitable for outdoor application, kiosk, factory automation, military, transportation and gaming application.

Key Features

- Resizing LCD
- Ultra-Wide Screen (16 : 4.5)
- High Brightness 1000 nit
- LED Backlight
- High Color Saturation
- Wide viewing angle 178°(H)~178°(V)
- Low Power Consumption
- BL MTBF: 100,000 hours



Specifications

Model Name	SSD1945-MNW
Description	19.4" Resizing LCD, 1000nits LED backlight, MaxRGB, 1920x536
Screen Size	19.4"
Display Area (mm)	476.06(H) x 132.9(V)
Brightness	1000 cd/m ²
Resolution	1920x536
Aspect Ratio	16 : 4.5
Contrast Ratio	6000 : 1
Pixel Pitch (mm)	0.248(H) x 0.248(V)
Pixel Per Inch (PPI)	102
Viewing Angle	178°(H),178°(V)
Color Saturation (NTSC)	92%
Display Colors	16.7M
Response Time (Typical)	20ms
Video Interface	DP
Input Power	DC12V
Power Consumption	23W
Dimensions (mm)	499.6x 152.3 x 31.8
Bezel Size(U/B/L/R)	10.8/6.44/9.98/9.98
Weight (Net)	1.9 kg
OSD Key	4 Keys (Power Switch, Menu, +, -)
OSD Control	Brightness, Color, Contrast, Auto Turing, H/V Position...etc
Operating Temperature	0 °C ~ 50 °C
Storage Temperature	-20 °C ~ 60 °C

SSD = Panel+ LED Driving Board + AD Control Board + Housing

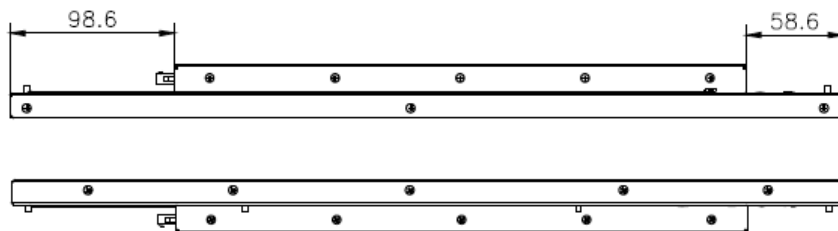
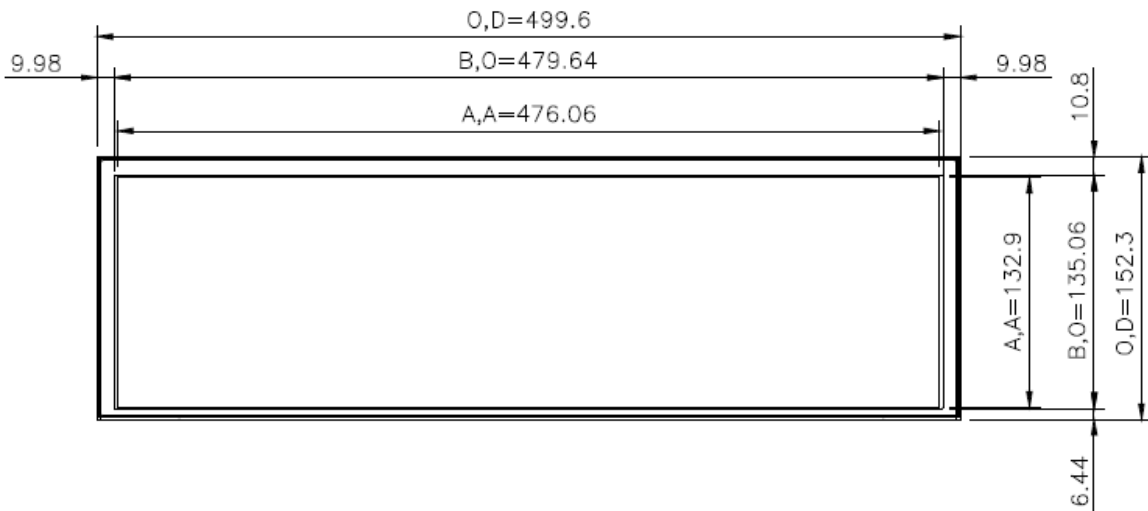
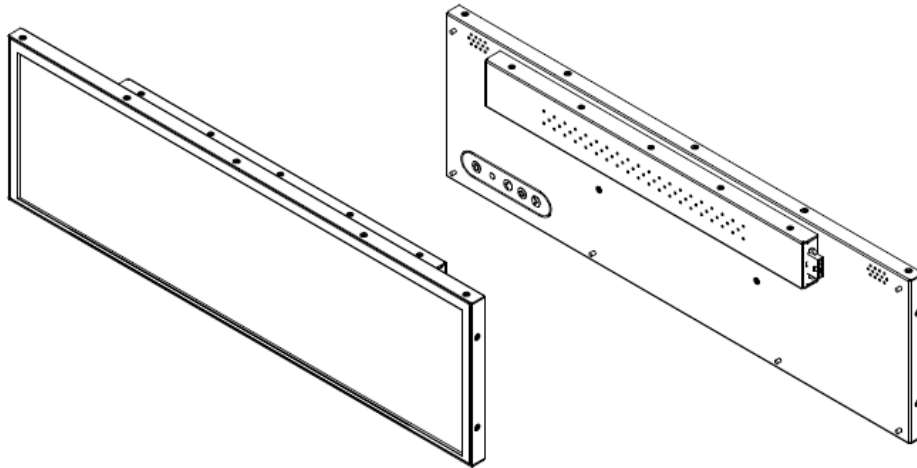
Specifications are subject to change without notice.
All brands or product names are trademarks or registered trademarks of their respective companies.

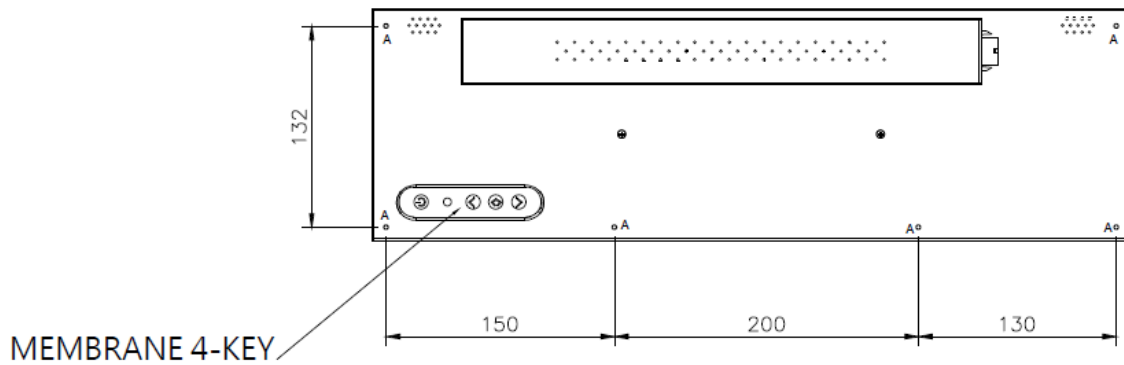
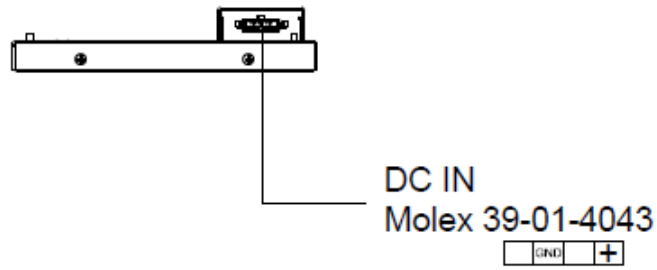
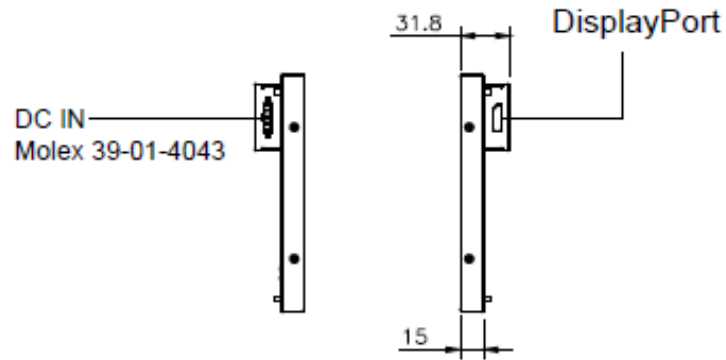
Mechanical Drawing



Outline Dimensions

Unit:mm





Note :
 O.D. : Outline Dimension
 B.O. : Bezel Opening
 A.A. : LCD Active Area
 A : 6-M3_FH_L=5mm(Include Base Sheet Metal)



Industrial Solutions Partner!

Ordering Information

Part Number	Description
SSD1945-MNW-Q01	19.4",1000nits,1920*536,MaxRGB,AD8891P w/LID,O/B,DC12V,5in1,V1

Optional Accessories

Part Number	Description
840612051104	ADAPTER.12V.5A.60W.G99-CAD060F-N001,DC Plug,2.1*5.5mm,P
800400603001	CABLE,POWER,DC,200mm,UL1185.MOLEX 4.2mm 4P TO DC JACK,ATI,R
810618301010	CABLE.POWER.AC.1830mm USA type
810618301090	CABLE,POWER,AC,1830mm Europe type
810618301050	CABLE.POWER.AC.1830mm UK type
810618301170	CABLE.POWER,AC,1830mm Australia type
810618301031	CABLE.POWER.AC.1830mm Japan type

Customer request

Touch	PCT (Multi-Touch)
Glass	Tempered glass, AR coating.....

Assured Systems

Assured Systems is a leading technology company with over 1,500 regular clients in 80 countries, deploying over 85,000 systems to a diverse customer base in 12 years of business. We offer high-quality and innovative rugged computing, display, networking and data collection solutions to the embedded, industrial, and digital-out-of-home market sectors.

US

sales@assured-systems.com

Sales: +1 347 719 4508
Support: +1 347 719 4508

1309 Coffeen Ave
Ste 1200
Sheridan
WY 82801
USA

EMEA

sales@assured-systems.com

Sales: +44 (0)1785 879 050
Support: +44 (0)1785 879 050

Unit A5 Douglas Park
Stone Business Park
Stone
ST15 0YJ
United Kingdom

VAT Number: 120 9546 28
Business Registration Number: 07699660