

NDiS B327

Fanless Embedded Computer Powered
by Intel® Celeron® N3060 SoC Processor



Main Features

- Intel® Celeron® N3060
- HDMI (4K resolution) and VGA independent displays USB 3.0 support
- WLAN support
- Compact and fanless design

Product Overview

Powered by Intel® Celeron® N3060 SoC processor, NDiS B327 digital signage player can handle very rich multimedia contents. With Intel® processor low power consumption feature. In addition, the Intel® Celeron® Core™ processors deliver significant improvements up to two and a half times the performance in graphics offering stunning visuals for compelling 4K content creation and media playback. NDiS B327 supports display output by HDMI and VGA ports. Integration flexibility with various peripherals such as touchscreen displays, scanners, readers, and many more. NDiS B327 the fanless durability further extends to semi-outdoor usage like QSR drive through kiosks, box office displays, information stands, bus stops, or digital transit information signs. It is also ideal as a digital signage player delivering enhanced performance and new immersive experiences for advertising, hospitality and brand promotion applications.

Specifications

CPU Support

- Intel® Celeron® SoC processor N3060 dual core 1.6GHz up to 2.28GHz

Graphic

- Intel® integrated HD 400 graphicse

Main Memory

- 2 x 204-pin SO-DIMM sockets, supports DDR3L 1600 MHz non- ECC, un-buffered memory up to 8G (single socket max. 4GB)

I/O Interface-Front

- 2 x USB 2.0
- 2 x USB 3.0
- 1 x DB9 for RS232 (cable)
- 1 x Storage active LED
- 1 x Power switch with LED

I/O Interface-Rear

- 1 x DC-in jack, 2.5/5.5mm (19V DC)
- 1 x VGA (1920 x 1200 resolution)
- 1 x HDMI (4K resolution)
- 2 x Antenna hole

- 2 x USB 3.0
- 1 x RJ45 with LEDs for Gigabit LAN
- 1 x Line-out
- 1 x Mic-in

Storage Device

- 1 x 2.5" SATA SSD bay
- 1 x M.2 2242 SSD, SATA signal

Expansion

- 1 x mini-PCIe full size connector, USB+PCIe signal, support Wi-Fi
- 1 x M.2 B key 2242 slot, SATA support

Dimensions

- 190mm (W) x 149mm (D) x 25mm (H)

Power Supply

- DC power input +19V

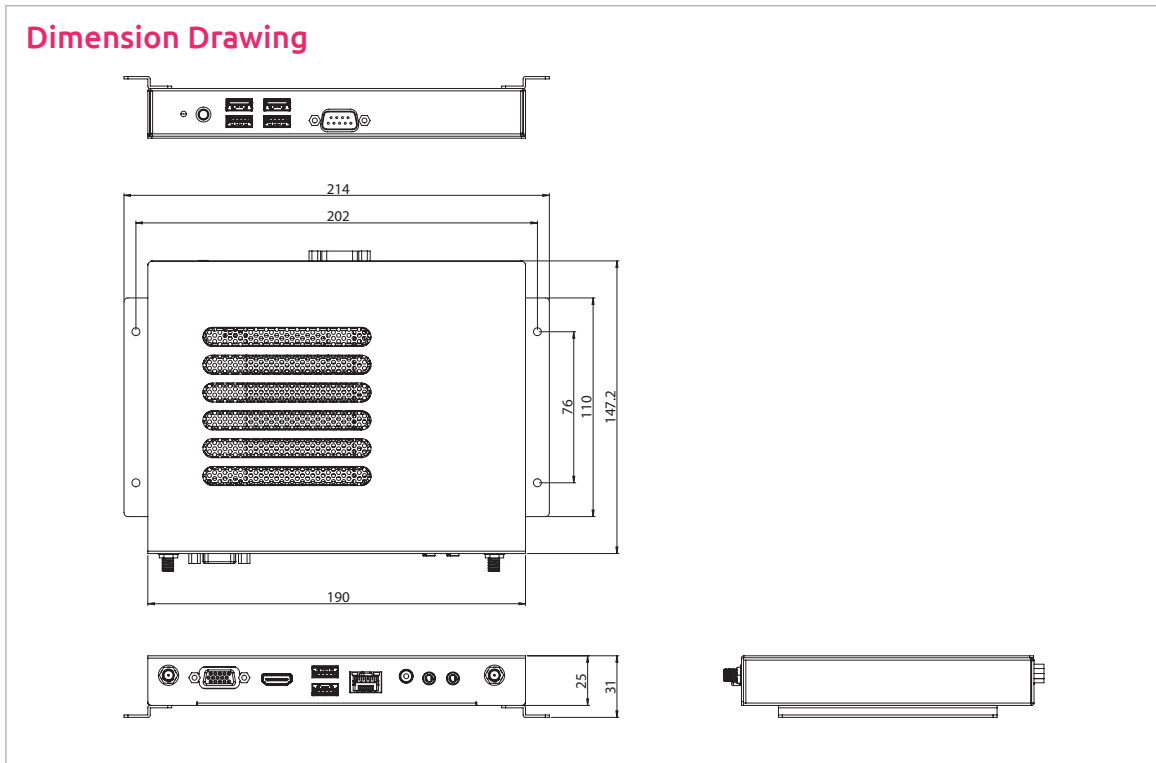
Environment

- Operating temperature: @ 100% CPU loading and component thermal profile from 0°C~40°C
- Storage temperature: -20°C~80°C
- Humidity: 95% (non-condensing)

www.nexcom.com



Dimension Drawing



Certification

- CE approval
- FCC Class A

Operating System

- Win7/Win10

Ordering Information

- ♦ **NDiS B327 (P/N: 10W00B32701X4)**
Intel® Celeron® N3060 dual core fanless system

Assured Systems

Assured Systems is a leading technology company with over 1,500 regular clients in 80 countries, deploying over 85,000 systems to a diverse customer base in 12 years of business. We offer high-quality and innovative rugged computing, display, networking and data collection solutions to the embedded, industrial, and digital-out-of-home market sectors.

US

sales@assured-systems.com

Sales: +1 347 719 4508
Support: +1 347 719 4508

1309 Coffeen Ave
Ste 1200
Sheridan
WY 82801
USA

EMEA

sales@assured-systems.com

Sales: +44 (0)1785 879 050
Support: +44 (0)1785 879 050

Unit A5 Douglas Park
Stone Business Park
Stone
ST15 0YJ
United Kingdom

VAT Number: 120 9546 28
Business Registration Number: 07699660