



Industrial Solutions Partner!

**SSF/SSH1875-BNW**

**18.7" Resizing LCD, 1000 nits LED backlight, 1920x146, MaxRGB**

The **SSF/SSH1875-BNW** is a 18.7 inch industrial grade sunlight readable LCD, with high brightness 1000 nits and high color saturation, it produce sharp images, crisp text and lifelike colors. The Spanpixel LED backlight technology ensures high reliability and low power consumption, suitable for outdoor application, kiosk, factory automation, military, transportation and gaming application.

**Key Features**

- Resizing LCD
- Ultra-Wide Screen (16 : 1.2)
- High Brightness 1000 nit
- High Color Saturation
- Wide viewing angle 178°(H)~ 178°(V)
- Low Power Consumption
- BL MTBF: 100,000 hours



**Specifications**

Model Name	<b>SSF/SSH1875-BNW</b>
<b>Description</b>	18.7" Resizing LCD, 1000 nits LED backlight, MaxRGB, 1920x146
<b>Screen Size</b>	18.7"
<b>Display Area (mm)</b>	476.064(H) x 36.201(V)
<b>Brightness</b>	1000 cd/m <sup>2</sup>
<b>Resolution</b>	1920x146
<b>Aspect Ratio</b>	16 : 1.2
<b>Contrast Ratio</b>	1300 : 1
<b>Pixel Pitch (mm)</b>	0.248(H) x 0.248(V)
<b>Pixel Per Inch (PPI)</b>	102
<b>Viewing Angle</b>	178°(H),178°(V)
<b>Color Saturation (NTSC)</b>	92%
<b>Display Colors</b>	16.7M
<b>Response Time (Typical)</b>	20ms
<b>Panel Interface</b>	LVDS
<b>Video Interface</b>	DP
<b>Input Power</b>	DC12V
<b>Power Consumption</b>	8W, (9.7W with AD board)
<b>OSD Key</b>	4 Keys (Power Switch, Menu, +, -)
<b>OSD Control</b>	Brightness, Color, Contrast, Auto Turing, H/V Position...etc
<b>Dimensions (mm)</b>	497x 54.4 x 13.76
<b>Bezel Size(U/B/L/R)</b>	10.45/7.649/10.468/10.468
<b>Weight (Net)</b>	0.8kg
<b>Operating Temperature</b>	0 °C ~ 50 °C
<b>Storage Temperature</b>	-20 °C ~ 60 °C

**SSF**= Panel + LED Driving Board

**SSH**= Panel + LED Driving Board + AD Control Board

*Specifications are subject to change without notice.  
All brands or product names are trademarks or registered trademarks of their respective companies.*

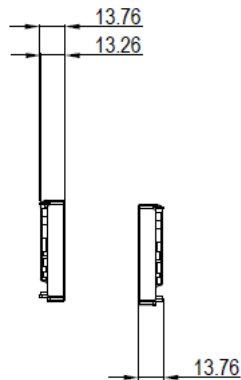
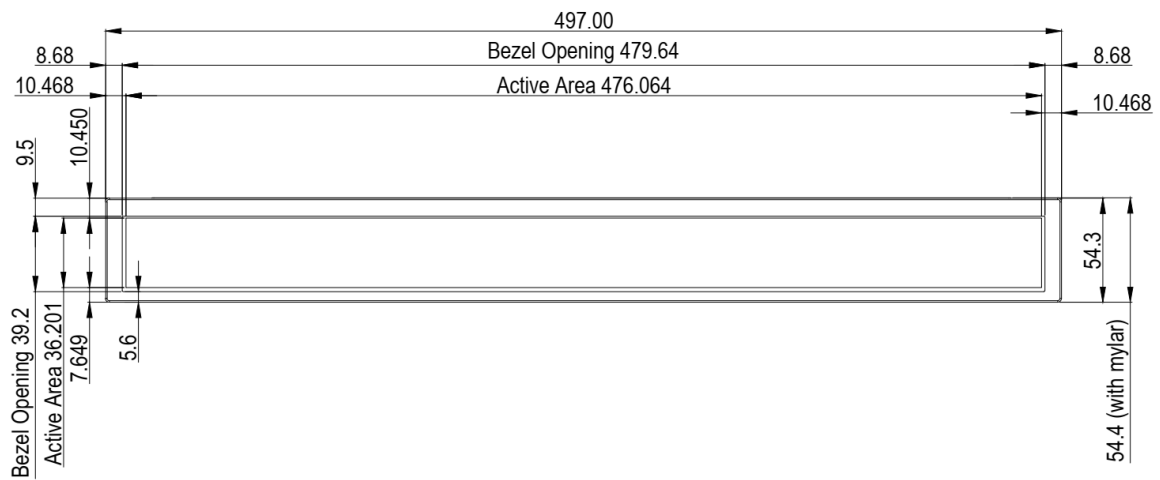
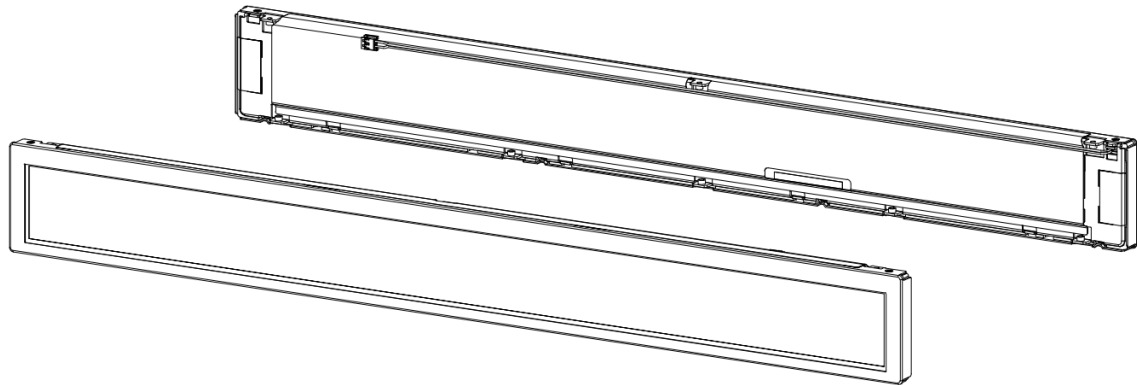


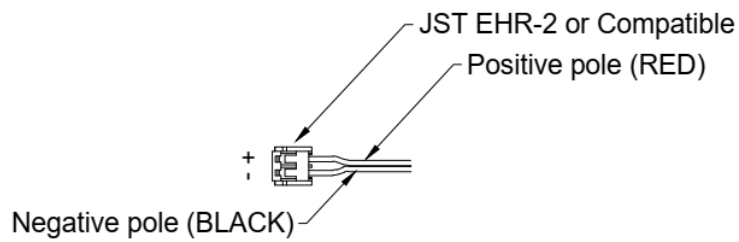
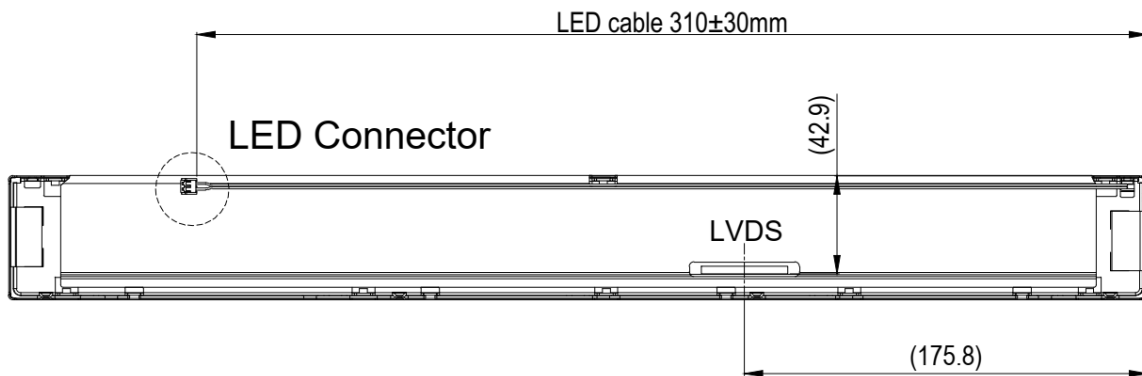
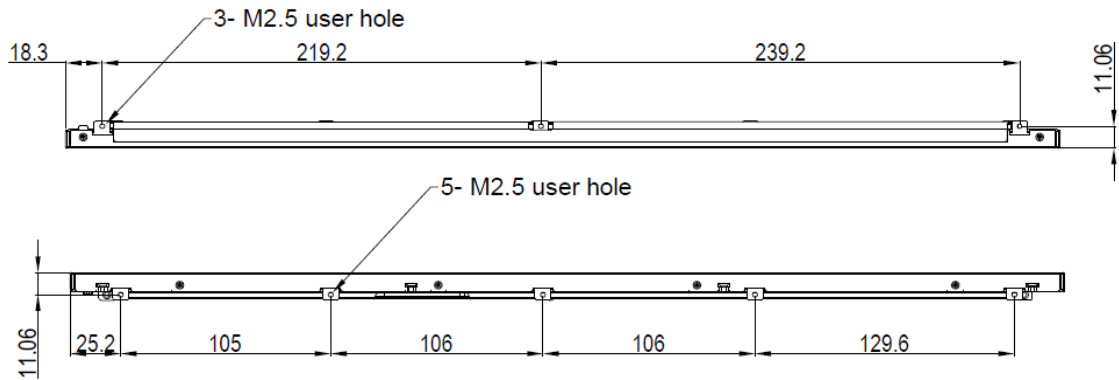
Industrial Solutions Partner!

**Mechanical Drawing**

**Outline Dimensions**

Unit:mm





LED Connector View

- Note:**
1. Resolution: 1920x146
  2. Tolerance is  $\pm 0.5\text{mm}$  unless noted
  3. "( )"marks the reference dimensions



Industrial Solutions Partner!

**Ordering Information**

Part Number	Description
SSF1875-BNW-A11	18.7",1000nits,1920*146,MaxRGB,LID18C,10in1,V1
SSH1875-BNW-Q11	18.7",1000nits,1920*146,MaxRGB,AD8891P w/LID,DC12V,10in1,V1

**Optional Accessories**

Part Number	Description
840612051104	ADAPTER.12V.5A.60W.G99-CAD060F-N001,DC Plug,2.1*5.5mm,P
800400603001	CABLE,POWER,DC,200mm,UL1185.MOLEX 4.2mm 4P TO DC JACK,ATI,R
810618301010	CABLE.POWER.AC.1830mm USA type
810618301090	CABLE.POWER.AC,1830mm Europe type
810618301050	CABLE.POWER.AC.1830mm UK type
810618301170	CABLE.POWER.AC,1830mm Australia type
810618301031	CABLE.POWER.AC.1830mm Japan type

**Customer request**

Touch	PCT (Multi-Touch)
Glass	Tempered glass, AR coating.....

## Assured Systems

Assured Systems is a leading technology company with over 1,500 regular clients in 80 countries, deploying over 85,000 systems to a diverse customer base in 12 years of business. We offer high-quality and innovative rugged computing, display, networking and data collection solutions to the embedded, industrial, and digital-out-of-home market sectors.

### US

[sales@assured-systems.com](mailto:sales@assured-systems.com)

Sales: +1 347 719 4508  
Support: +1 347 719 4508

1309 Coffeen Ave  
Ste 1200  
Sheridan  
WY 82801  
USA

### EMEA

[sales@assured-systems.com](mailto:sales@assured-systems.com)

Sales: +44 (0)1785 879 050  
Support: +44 (0)1785 879 050

Unit A5 Douglas Park  
Stone Business Park  
Stone  
ST15 0YJ  
United Kingdom

VAT Number: 120 9546 28  
Business Registration Number: 07699660