



**Freescale™ i.MX6 Series
10.1" Industrial Tablet PC**

ART101



► **Features**

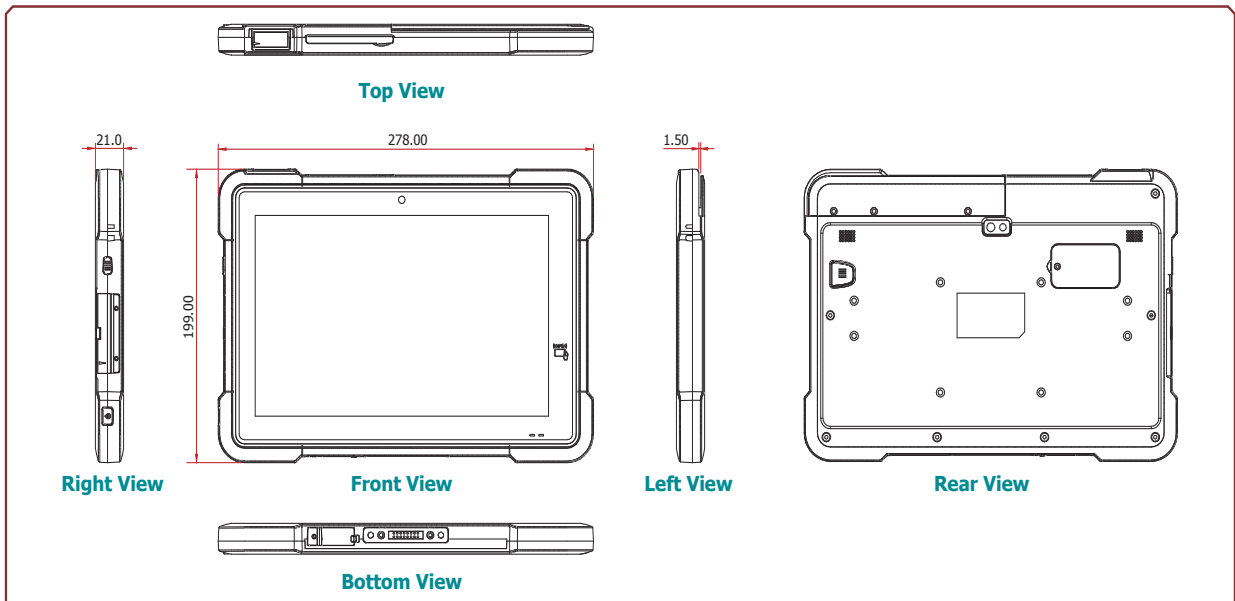
- 10.1" capacitive touch screen
- Built-in dual cameras - front: 2M, rear: 5M (auto focus & flash light)
- Android 4.2 operating system
- Supports Accelerometer, E-compass, and Gyro sensor
- Built-in Wi-Fi, BT4.0, GPS, and optional 3G support
- Built-in NFC RFID and optional 1D/2D barcode reader
- IP65 protection, 3.28ft drop tested
- Light weight, 950g



► **I/O Connectors**



► **Dimensions**





Specifications

SYSTEM	Processor	Freescale i.MX 6 DualLite at 1GHz		
	Memory	1GB DDR3 Onboard (default)		
DISPLAY AND TOUCH SCREEN	Display	10.1" 1280x800 TFT LCD Panel with Capacitive Touch Screen		
	Brightness	350 cd/m ²		
	Sensor	Accelerometer Sensor	Vibrator	
		E-Compass Sensor	Light Sensor	
Gyroscope Sensor				
STORAGE	eMMC	8GB eMMC Onboard (also for Android OS image)		
COMMUNICATION	Wireless	Wi-Fi 802.11 a/b/g/n	WWAN 3G (optional)	
		Bluetooth V4.0+HS	GPS (Ublox inside)	
		NFC RFID 13.56MHz (ISO 14443 A/B, FeliCa)		
CAMERA	Rear Camera	5.0 Mega Pixels, Auto Focus, Flash Light		
	Front Camera	2.0 Mega Pixels		
AUDIO	Internal	2 x 0.8W Speaker		
LED	Indicator	1 x Red/Green LED for Power and System Status		
		1 x Blue LED for NFC RFID		
I/O	External	1 x microSD		
		1 x micro HDMI		
1 x Earphone & Mic				
1 x micro USB				
1 x POGO Pins				
1 x DC Jack				
POWER	AC/DC Adapter	Input: 100~240V AC 50/60Hz 0.8A	Output: 5V DC 3A, AC Cable	
		Battery		
		Li-ion, 3.7V, 8060mAh		
OS SUPPORT	Working Time: 8 hrs, Note: Wi-Fi & BT ON and LCD ON (default brightness) with Stand by Mode			
	Android 4.2.2 (2.5GB)			
MECHANISM	Android 5.0.2			
	IP Rating	IP65 Protection (w/o 1D/2D barcode reader) IP54 Protection (w/ 1D/2D barcode reader)		
	Dimensions (W x H x D)	278mm x 199mm x 21mm (10.94" x 7.83" x 0.83")		
ENVIRONMENT	Weight	950 g		
	Operating Temperature	0 to 40°C		
	Storage Temperature	-20 to 60°C (w/o battery)		
	Charging Temperature	0 to 40°C		
	Relative Humidity	5 to 95% RH (non-condensing)		
STANDARDS AND CERTIFICATIONS	Drop	3.28ft Drop Tested		
	Certification	CE, BSMI, FCC, FCC ID: E5YART101, NCC		

Ordering Information

Model Name	P/N	Configuration
ART101-i6	790-ART101-000G	Freescale i.MX 6 DualLite, DDR3 1G, eMMC 8GB, 10.1" 1280x800, Camera Front 2M, Rear 5M, Wi-Fi/BT, GPS, NFC RFID Reader, Android 4.2.2, Adapter, USB Cable, w/o Power Cord
ART101-i6 + 2D BCH	790-ART101-100G	Freescale i.MX 6 DualLite, DDR3 1G, eMMC 8GB, 10.1" 1280x800, Camera Front 2M, Rear 5M, Wi-Fi/BT, GPS, NFC RFID Reader, Android 4.2.2, Adapter, USB Cable, 2D Barcode Reader, w/o Power Cord
ART101-i6 + 3G + 2D BCH	790-ART101-200G	Freescale i.MX 6 DualLite, DDR3 1G, eMMC 8GB, 10.1" 1280x800, Camera Front 2M, Rear 5M, Wi-Fi/BT, GPS, NFC RFID Reader, 3G, Android 4.2.2, Adapter, USB Cable, 2D Barcode Reader, w/o Power Cord

*The ART101 industrial tablet PC is not compatible with DFI's revision control system.

Optional Accessories



Packing List

• 1 ART101 Tablet
• 1 Power Adapter
• 1 USB Cable
• 1 Quick Guide

Optional Items

• Desk Docking (w/o AC adapter)	612-CRA101-000G
• Hand Strap	622-070010-000G
• Power Cord (Europe)	A81-004003-000G
• Power Cord (USA)	332-700010-201G
• Power Cord (China)	A81-000001-000G

Assured Systems

Assured Systems is a leading technology company with over 1,500 regular clients in 80 countries, deploying over 85,000 systems to a diverse customer base in 12 years of business. We offer high-quality and innovative rugged computing, display, networking and data collection solutions to the embedded, industrial, and digital-out-of-home market sectors.

US

sales@assured-systems.com

Sales: +1 347 719 4508
Support: +1 347 719 4508

1309 Coffeen Ave
Ste 1200
Sheridan
WY 82801
USA

EMEA

sales@assured-systems.com

Sales: +44 (0)1785 879 050
Support: +44 (0)1785 879 050

Unit A5 Douglas Park
Stone Business Park
Stone
ST15 0YJ
United Kingdom

VAT Number: 120 9546 28
Business Registration Number: 07699660