

AVerMedia

C353W

Wide Temperature Full HD Mini-PCIe HW H.264 Capture Card



Features

- Hardware H.264 Compression
- Wide temp range of -40°C ~ 85°C (-40°F ~ 185°F)
- PCI Express Mini Card form factor
- HDMI/ VGA/ DVI input interface
- Max capturing 1920 x 1080 60fps
- Up to 60Mbps encoding capability
- Low power consumption (1.5 Watts)

Introduction

The C353W is a PCI Express Mini video capture card on H.264 hardware compression which brings Full HD video capture with low CPU consumption. The C353W can ingest and capture HDMI, VGA, or DVI sources for monitoring, archiving or analyzing Full HD video content with more flexibilities and possibilities.

With encoding capabilities of up to 60Mbps and wide temperature range of -40°C ~ 85°C (-40°F ~ 185°F), the C353W provides industry-leading hardware and encoding performance that preserves the crystal-like video quality while maintaining low CPU loading in extreme environmental conditions.

It is endowed with full functions that are required for performing Full HD video capture for industrial and commercial markets such as in-vehicle data recording, military scenarios, machine vision or any industrial imaging. The C353W commits to shorten the development schedule and providing integrators with a complete and rugged solution towards building their own applications.

Wide Temperature

Various applications are often carried out under harsh and extreme environmental conditions. The thermally robust C353W is specifically designed to provide greater flexibility for rugged and industrial applications. Wide temperature support extends the operation temperature to a range of -40°C ~ 85°C (-40°F ~ 185°F). The C353W assures sustainable, reliable and stable video capture quality under extreme climatic environments.

Hardware H.264 Compression

The C353W is equipped with an advanced built-in H.264 hardware encoder, which enables the system to encode without impacting the CPU's computing power but still maintain high quality video. This feature will help balance the loading and will increase the system's reliability. As a result, the C353W will significantly assist to reduce the computing efforts on hardware and software in order to focus on other important parts of application in hand.

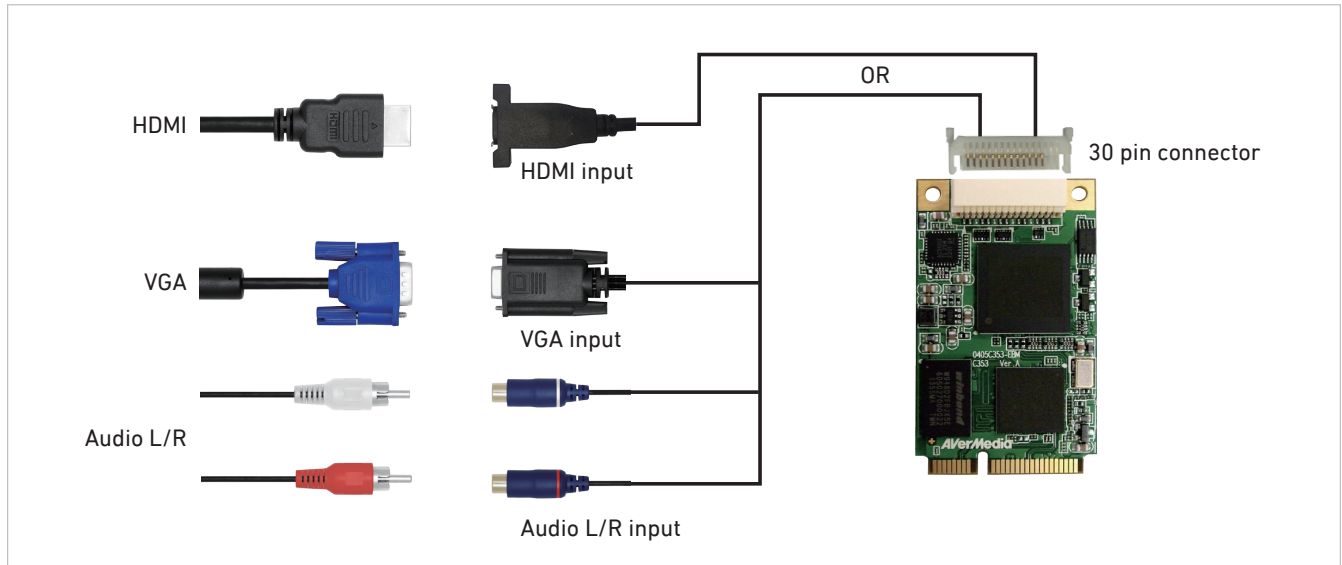
Mini PCIe Compact Form Factor

The compact form factor design from a PCI Express Mini Card is perfect to fit into small-footprint embedded system, as well as a lower power consumption resulting in a more efficient solution. Also available for vibration-proof, lock holes specifically suits in-vehicle, military and industrial applications.

C353W

Wide Temperature Full HD Mini-PCIe HW H.264 Capture Card

Connection Diagram



Specifications

Host Interface	PCI Express Mini Card
Audio Interface	HDMI / LR
Audio Format	LPCM / PCM
Audio Sampling Rate	32KHz, 44.1KHz, 48KHz
Connector Type	SHLD 30 pin connector
Input Interface	HDMI / VGA / DVI
Video Format	YUV
Color Depth	8-bit
Channel No.	1Ch
Max. Input Resolution	1920 x 1080 60fps

Encoding Mode	Hardware Encoding (H.264)
Multi-Card Support	Yes
Supported OS	Windows 7/8.1/10 (32/64 bits), Linux (32/64 bits) *
Form factor	Mini Card
Dimension (L x W)	50.80 x 29.85 mm
Power Consumption	1.5W
Operating Temperature	-40°C ~ 85°C (-40°F ~ 185°F)
Operating Humidity	5% ~ 80% Relative Humidity
Safety Certification	FCC / CE

* Linux Services

- Support Linux kernel 2.6.14 version and later based on V4L2 & ALSA framework
- Driver customization service by request

Versatile SDK

AVerMedia software development kit (SDK), a set of development tools that allows a software engineer to seamlessly integrate video capture modules into application specific systems. Available upon request are the SDK Basic, SDK Pro and to better match each application's specific requirements premium add-on kits.

Ordering Information

- C353W: Wide Temperature Full HD Mini-PCIe HW H.264 Capture Card
- Accessories:
 - SHLD 30 pin to HDMI, VGA, or DVI adapter cable (Optional)
- SDK kits
 - SDK Basic
 - SDK Pro (Optional)
 - SDK Premium Add-on Kits (Optional)

Assured Systems

Assured Systems is a leading technology company with over 1,500 regular clients in 80 countries, deploying over 85,000 systems to a diverse customer base in 12 years of business. We offer high-quality and innovative rugged computing, display, networking and data collection solutions to the embedded, industrial, and digital-out-of-home market sectors.

US

sales@assured-systems.com

Sales: +1 347 719 4508
Support: +1 347 719 4508

1309 Coffeen Ave
Ste 1200
Sheridan
WY 82801
USA

EMEA

sales@assured-systems.com

Sales: +44 (0)1785 879 050
Support: +44 (0)1785 879 050

Unit A5 Douglas Park
Stone Business Park
Stone
ST15 0YJ
United Kingdom

VAT Number: 120 9546 28
Business Registration Number: 07699660