

IMB-1242

Mini-ITX Motherboard



KEY FEATURES

- Intel® 14th/13th/12th Gen (Raptor Lake-S Refresh/Raptor Lake-S/Alder Lake-S) Core™ Processors with H610 chipset
- 2 x 260-pin SO-DIMM DDR4 3200 MHz , up to 64GB (32GB per DIMM)
- 1 x PCIe x16 (Gen4), 2 x USB 3.2 Gen2, 2 x USB 3.2 Gen1, 4 x USB 2.0, 1 x M.2 Key E, 1 x M.2 Key M, 2 x COM, 2 x SATA3
- 1 x Intel Gigabit LAN, 1 x Realtek 2.5 Gigabit LAN
- Supports Triple display, 1 x HDMI 2.0b, 1 x DP 1.4a, 1 x VGA
- ATX-PWR (24+4-pin) and 12V DC-In co-design

SPECIFICATIONS

Form Factor

Dimensions(LxWxH)	Mini-ITX (6.7-in x 6.7-in x 1.4-in, 17.0 cm x 17.0 cm x 3.6 cm)
-------------------	---

Processor System

CPU	Intel® 14th/13th/12th Gen (Raptor Lake-S Refresh/ Raptor Lake-S/Alder Lake-S) Core™ Processors, up to 65W
Chipset	Intel® H610
Socket	LGA1700
BIOS	AMI SPI 256 Mbit

Memory

Technology	Dual Channel DDR4 3200 MHz
Capacity	64 GB (32 GB per DIMM)
Socket	2 x 260-pin SO-DIMM

Graphics

Controller	Intel® UHD Graphics
HDMI	HDMI 2.0b Max resolution up to 4096x2160@60Hz
DisplayPort	DisplayPort 1.4a, DP++ Max resolution up to 4096x2160@60Hz
VGA	Max resolution up to 1920x1200@60Hz
MultiDisplay	Triple Display

Expansion Slot

PCIe	1 x PCIe x16 (Gen4)
M.2	1 x M.2 (Key E, 2230) with PCIe x1, USB 2.0 and CNVi for Wireless

Audio

Interface	Realtek ALC897, High Definition Audio. Mic-in, Line-out
-----------	---

Ethernet

Controller/ Speed	LAN1: Intel® I219V with 10/100/1000 Mbps LAN2: Realtek RTL8125BG with 10/100/1000/2500 Mbps
Connector	2 x RJ-45

Rear I/O

HDMI	1 x HDMI 2.0b
DisplayPort	1 x DP 1.4a ++
VGA	1
Ethernet	1 x 1 Gigabit LAN 1 x 2.5 Gigabit LAN
USB	2 x USB 3.2 Gen2, 2 x USB 2.0
Audio	2 (Mic-in, Line-out)
COM	COM1, COM2 (RS-232/422/485)

Internal Connector

USB	2 x USB 3.2 Gen1 (1 x USB 3.2 header) 2 x USB 2.0 (1 x 2.54 pitch header)
SATA PWR Output	1

Storage

M.2	1 x M.2 (Key M, 2260/2280) with PCIe Gen3 x4 and SATA3 for SSD
SATA	2 x SATA3 (6Gb/s)

Security

TPM	TPM Header
-----	------------

Watchdog Timer

Output	From Super I/O to drag RESETCON#
Interval	256 Segments, 0, 1, 2, ...255sec

Power Requirements

Input PWR	ATX-PWR (24+4-pin) and 12V DC-In co-design
Power On	AT/ATX Supported - AT : Directly PWR on as power input ready - ATX : Press button to PWR on after power input ready

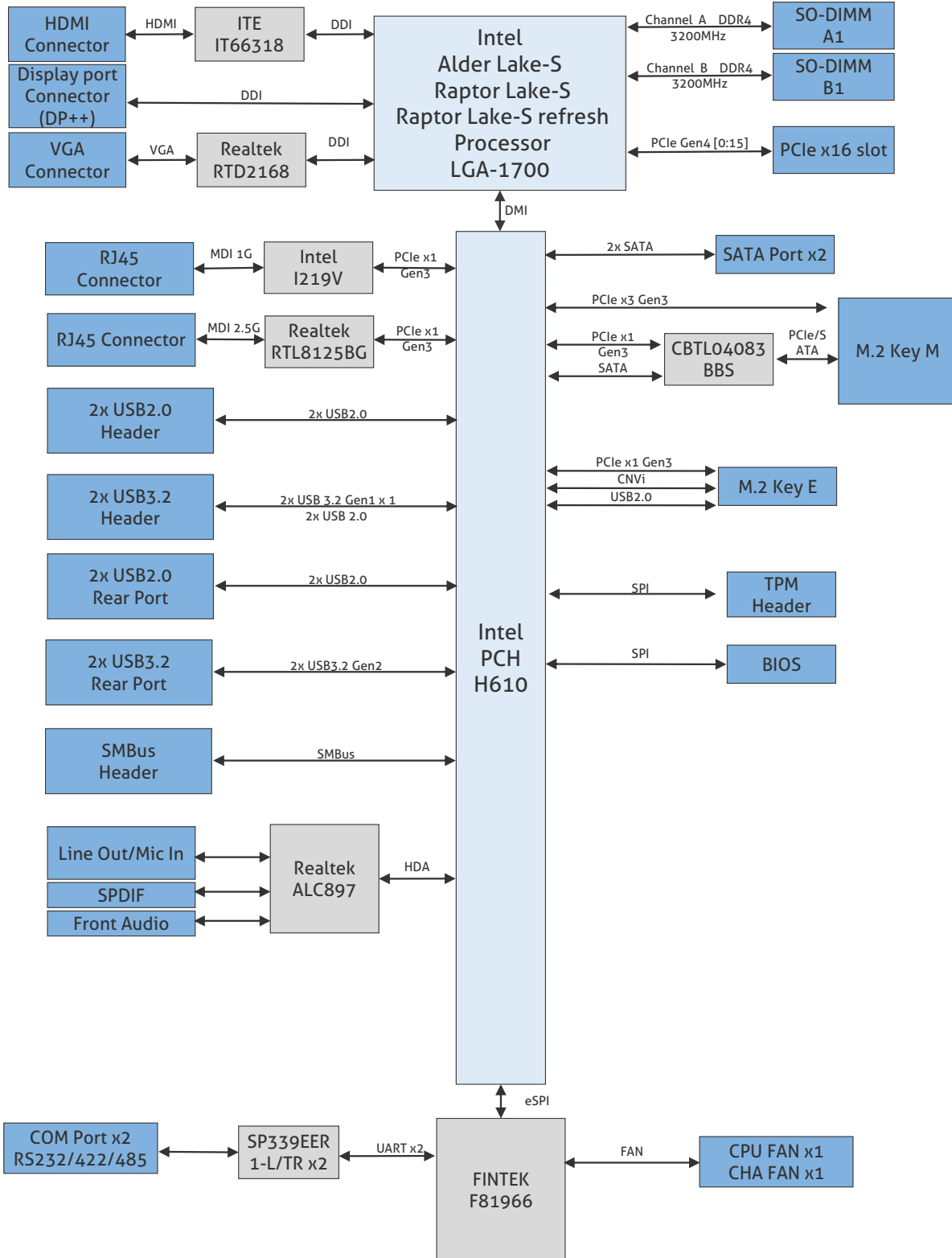
Environment

Operating Temp	-20°C ~ 70°C
Storage Temp	-40° C ~ 85° C
Operating Humidity	5% ~ 90%
Storage Humidity	5% ~ 90%

IMB-1242

Mini-ITX Motherboard

BLOCK DIAGRAM



The specification is subject to change without notice. The brand and product names are trademarks of their respective companies. Any configuration other than original product specification is not guaranteed.

Assured Systems

Assured Systems is a leading technology company with over 1,500 regular clients in 80 countries, deploying over 85,000 systems to a diverse customer base in 12 years of business. We offer high-quality and innovative rugged computing, display, networking and data collection solutions to the embedded, industrial, and digital-out-of-home market sectors.

US

sales@assured-systems.com

Sales: +1 347 719 4508
Support: +1 347 719 4508

1309 Coffeen Ave
Ste 1200
Sheridan
WY 82801
USA

EMEA

sales@assured-systems.com

Sales: +44 (0)1785 879 050
Support: +44 (0)1785 879 050

Unit A5 Douglas Park
Stone Business Park
Stone
ST15 0YJ
United Kingdom

VAT Number: 120 9546 28
Business Registration Number: 07699660