



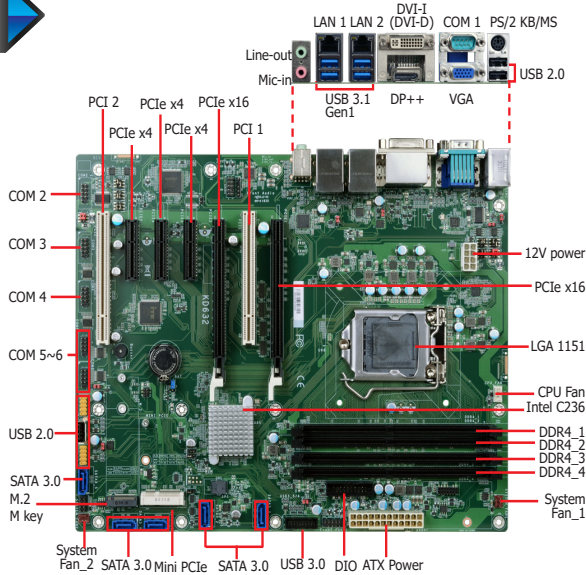
**6th/7th Gen Intel® Core™ Processor  
ATX**



**KD632-C236**

Workstation

**C236**

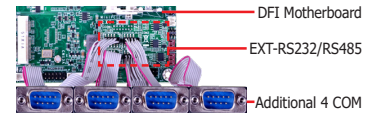


**Features**

- 4 DDR4 ECC/Non-ECC U-DIMM up to 64GB
- 3 independent displays: **VGA + DVI-I (DVI-D signal) + DP++**
- **DP++ resolution up to 4096x2160 @ 60Hz**
- **Multiple expansion: 2 PCIe x16 (1 x16 or 2 x8 signal), 3 PCIe x4, 2 PCI, 1 M.2 M key, 1 Mini PCIe**
- **Rich I/O: 2 Intel GbE, 6 COM, 6 USB 3.1 Gen1, 7 USB 2.0**



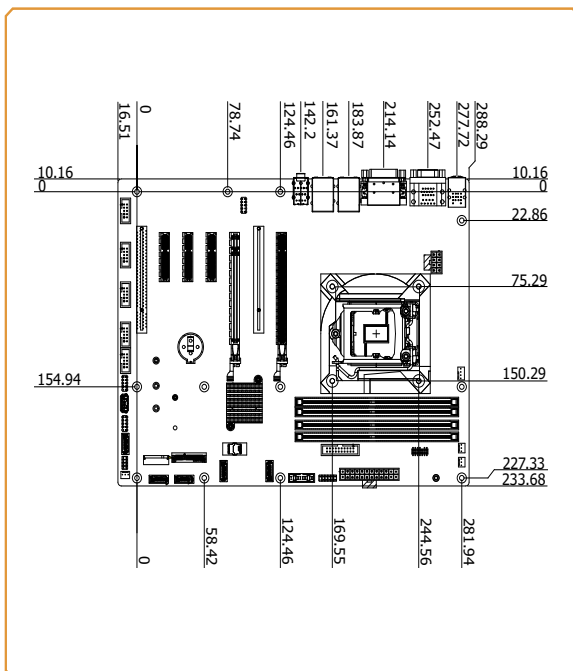
**2 Extension Modules for Additional 4 COM Ports (via the LPC connector)**



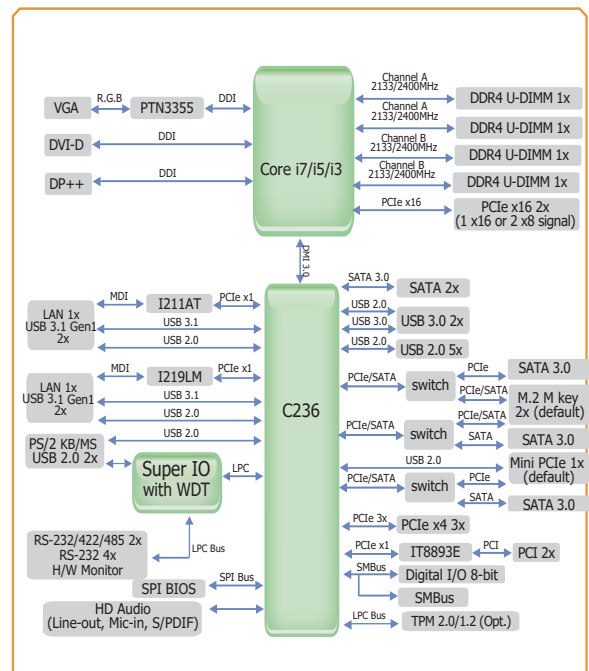
**Ordering Information**

Model Name	P/N	Memory	GbE	RS-232/422/485	RS-232	USB 3.1 Gen1	USB 2.0	Power	Thermal	Temp.
KD632-C236CRM	770-KD6321-100G	4 U-DIMM	2	2	4	6	7	24-pin ATX	Active	0 to 60°C

**Mechanical Drawing**



**Block Diagram**





**Specifications**

<b>SYSTEM</b>	<b>Processor</b>	6th/7th Generation Intel® /Xeon Core™ /Pentium®/Celeron® LGA 1151 Socket Processors with TDP up to 95W	
	<b>Chipset</b>	Intel® C236 Chipset	
	<b>Memory</b>	Four 288-pin ECC U-DIMM up to 64GB (Core™ i5/i7 only support non-ECC)	Dual Channel DDR4 2133/2400MHz
	<b>BIOS</b>	Insyde SPI 128Mbit	
<b>GRAPHICS</b>	<b>Controller</b>	Intel® HD Gen 9 Graphics	
	<b>Feature</b>	OpenGL 5.0, DirectX 12, OpenCL 2.1 HW Decode: AVC/H.264, MPEG2, VC1/WMV9, JPEG/MJPEG, HEVC/H265, VP8, VP9 HW Encode: MPEG2, AVC/H264, JPEG, HEVC/H265, VP8, VP9	
	<b>Display</b>	1 x VGA 1 x DVI-I (DVI-D signal) 1 x DP++	VGA: resolution up to 1920x1200 @ 60Hz DVI-D: resolution up to 1920x1200 @ 60Hz DP++: resolution up to 4096x2160 @ 60Hz
	<b>Triple Displays</b>	VGA + DVI-I (DVI-D signal) + DP++	
<b>EXPANSION</b>	<b>Interface</b>	2 x PCIe x16 (1 x16 or 2 x8 signal) (Gen 3) 3 x PCIe x4 (Gen 3) 2 x PCI 1 x M.2 2260/2280 M key (SATA3.0/PCIe Gen3 x 2 NVMe) (Optane memory support) 1 x Mini PCIe (PCIe/mSATA/USB 2.0)	
<b>AUDIO</b>	<b>Audio Codec</b>	Realtek ALC888S-VD2-GR	
<b>ETHERNET</b>	<b>Controller</b>	1 x Intel® I211AT PCIe (10/100/1000Mbps) 1 x Intel® I219LM PCIe with iAMT11.0 (10/100/1000Mbps) (only Xeon/Core i7/i5 supports iAMT)	
<b>REAR I/O</b>	<b>Ethernet</b>	2 x GbE (RJ-45)	
	<b>USB</b>	4 x USB 3.1 Gen1	2 x USB 2.0
	<b>Serial</b>	1 x RS-232/422/485 (RS-232 w/ power) (DB-9)	
	<b>PS/2</b>	1 x PS/2 (mini-DIN-6)	
	<b>Display</b>	1 x VGA 1 x DVI-I (DVI-D signal) 1 x DP++	
<b>INTERNAL I/O</b>	<b>Audio</b>	1 x Line-out, 1 x Mic-in, 1 x Line-in (opt., MOQ required)	
	<b>Serial</b>	1 x RS-232/422/485 (RS-232 w/ power) (2.54mm pitch) 4 x RS-232 (2.54mm pitch)	
	<b>USB</b>	2 x USB 3.1 Gen1 4 x USB 2.0 + 1 x Vertical USB 2.0 (type A)	
	<b>Audio</b>	1 x Front Audio Header	
	<b>SATA</b>	5 x SATA 3.0 (up to 6Gb/s) (1 SATA shared with mini PCIe (SATA), default at mini PCIe/2 SATA shared with M.2, default at M.2) RAID 0/1/5/10	
	<b>DIO</b>	1 x 8-bit DIO	
	<b>LPC</b>	1 x LPC (supports LPC EXT-RS232/RS485 module)	
	<b>SMBus</b>	1 x SMBus	
<b>WATCHDOG TIMER</b>	<b>Output &amp; Interval</b>	System Reset, Programmable via Software from 1 to 255 Seconds	
<b>SECURITY</b>	<b>TPM</b>	Infineon TPM1.2/2.0 (opt., MOQ required)	
<b>POWER</b>	<b>Type</b>	ATX	
	<b>Connector</b>	8-pin ATX 12V power	24-pin ATX power
	<b>Consumption</b>	TBD	
	<b>RTC Battery</b>	CR2032 Coin Cell	
<b>OS SUPPORT</b>		Windows 7 32/64-bit Windows 8.1 64-bit Windows 10 64-bit Linux Note: 7th Gen CPU SKU ONLY support Windows 10 64-bit & Ubuntu 16.04.	
<b>ENVIRONMENT</b>	<b>Temperature</b>	Operating: 0 to 60°C Storage: -30 to 60°C with RTC Battery; -40 to 85°C without RTC Battery	
	<b>Humidity</b>	Operating: 5 to 90% RH	Storage: 5 to 90% RH
	<b>MTBF</b>	537,588 hrs @ 25°C; 298,813 hrs @ 45°C; 184,762 hrs @ 60°C Calculation model: Telcordia Issue 4 Environment: GB, GC – Ground Benign, Controlled	
<b>MECHANICAL</b>	<b>Dimensions</b>	ATX Form Factor	305mm (12") x 244mm (9.6")
	<b>Height</b>	PCB: 1.6mm	Top Side: TBD Bottom Side: TBD
<b>CERTIFICATIONS</b>		CE, FCC Class B, RoHS	

**Packing List**

• 1 KD632-C236 motherboard	
• 1 COM port cables (Length: 400mm, 2 x COM ports)	A81-015026-023G
• 1 Serial ATA data cable (Length: 500mm)	332-553001-005G
• 1 I/O shield	A49-KD6000-000G
• 1 M.2 standoff	A33-725019-090G
• 1 M.2 screw	A32-112016-041G

**Optional Items**

• USB 2.0 port cable (Length: 350/398mm)	A81-001066-016G
• USB 3.1 Gen1 port cable (Length: 320mm)	A81-001052-023G
• Front Audio cable	A81-022022-016G
• DP to HDMI dongle	612-D2H13M-000G
• COM port cable (Length: 400mm, 2 x COM ports)	A81-015026-023G
• Serial ATA data cable (Length: 500mm, W/LOCK)	332-553001-005G
• Thermal solution (For 35W, Height: 37.3mm)	A71-103004-000G
• Thermal solution (For 65W, Height: 72.8mm)	552-200049-000G
• Thermal solution (For 95W, Height: 72.8mm)	761-103001-000G
• LPC EXT-RS232 module (4 x RS232 ports)	770-EXTRS1-000G
• LPC EXT-RS485 module (4 x RS485 ports)	770-EXTRS1-100G

## Assured Systems

Assured Systems is a leading technology company with over 1,500 regular clients in 80 countries, deploying over 85,000 systems to a diverse customer base in 12 years of business. We offer high-quality and innovative rugged computing, display, networking and data collection solutions to the embedded, industrial, and digital-out-of-home market sectors.

### US

[sales@assured-systems.com](mailto:sales@assured-systems.com)

Sales: +1 347 719 4508  
Support: +1 347 719 4508

1309 Coffeen Ave  
Ste 1200  
Sheridan  
WY 82801  
USA

### EMEA

[sales@assured-systems.com](mailto:sales@assured-systems.com)

Sales: +44 (0)1785 879 050  
Support: +44 (0)1785 879 050

Unit A5 Douglas Park  
Stone Business Park  
Stone  
ST15 0YJ  
United Kingdom

VAT Number: 120 9546 28  
Business Registration Number: 07699660