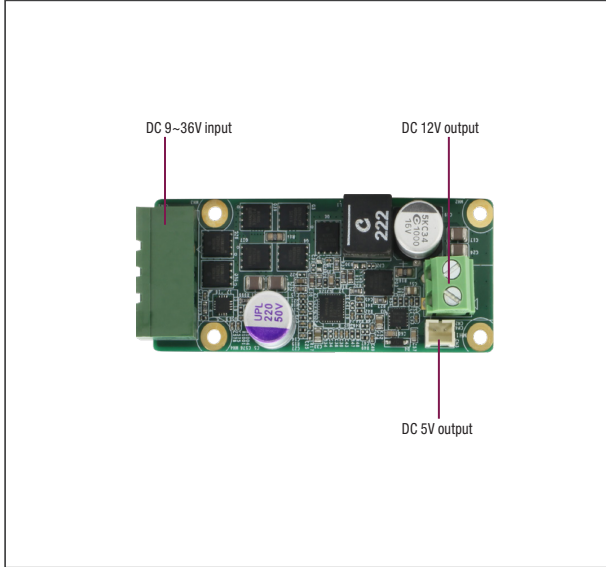


PER-P30D

Power Supply Module with DC 5V & DC 12V Output

Pico-ITX Boards - BIO



Features

- Max. 120W output
- DC 9~36V input
- Over voltage protection
- Under voltage protection
- Over current protection
- Reverse protection
- ±5% voltage tolerance
- Compact size for PICO boards

Specifications

System	
Power input	DC 9~36V
Power output	DC 5V + DC 12V /max.120W
Voltage tolerance	±5%
DIMENSION	1.18" x 2.84" (30mm x 72mm)
Gross Weight	0.07 lbs (0.03 kg)
Input CONNECTOR	2-pin Phoenix Connector.180D (Default) 3-pin Phoenix Connector.90D (colay)
Output CONNECTOR	2-pin Phoenix Connector.90D (Default)
OPERATING TEMPERATURE	32°F ~ 140°F (0°C ~ 60°C)

Packing List

- PER-P30D

Ordering Information

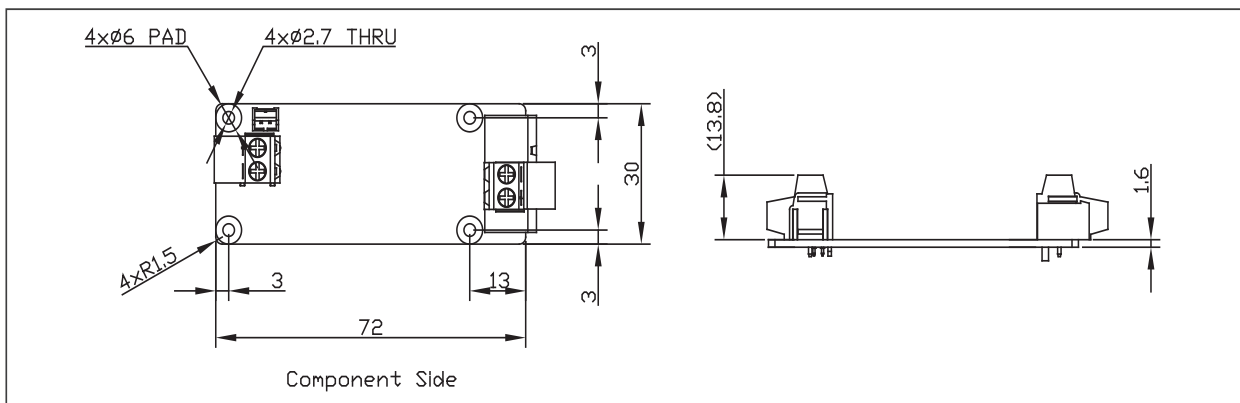
PART NUMBER	MODULE	Power input	Power output	TEMPERATURE
PER-P30D-A10-0001	Power Supply Module with +5V & +12V Output	DC 9~36V	DC 5V + DC 12V / max.120W	0 ~ 60°C

Optional Accessories

Part Number	Description	Qty.
170X000742	12V output power cable.15cm	1
1702150155	5V SATA power cable.15cm	1

Dimension

Unit: mm



Assured Systems

Assured Systems is a leading technology company with over 1,500 regular clients in 80 countries, deploying over 85,000 systems to a diverse customer base in 12 years of business. We offer high-quality and innovative rugged computing, display, networking and data collection solutions to the embedded, industrial, and digital-out-of-home market sectors.

US

sales@assured-systems.com

Sales: +1 347 719 4508
Support: +1 347 719 4508

1309 Coffeen Ave
Ste 1200
Sheridan
WY 82801
USA

EMEA

sales@assured-systems.com

Sales: +44 (0)1785 879 050
Support: +44 (0)1785 879 050

Unit A5 Douglas Park
Stone Business Park
Stone
ST15 0YJ
United Kingdom

VAT Number: 120 9546 28
Business Registration Number: 07699660