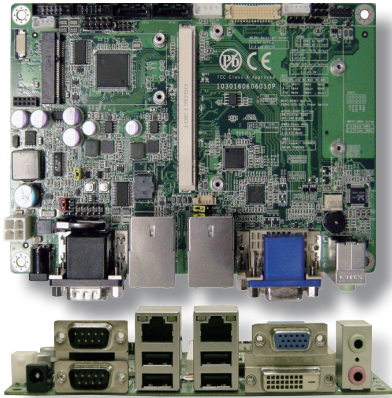


PBQ-3000



Qseven™ Carrier Board in EPIC Form Factor



Features

- Dual Gigabit Ethernet Ports
- **Qseven™ Carrier Board**
- Integrated Gigabit Ethernet
- Single Channel 24-bit LVDS/ Dual Channels 24-bit LVDS
- Analog RGB, DVI
- Wide range DC power input: 10V ~ 30V

I/O

Serial Port	4 x COM ports (3 x RS-232 port, 1 x RS-232/422/485 selectable port)
USB Port	7 x USB 2.0 ports
Digital IO	8-bit programmable Digital Input/ Output
Expansion Bus	1 x Mini-card slot
Storage	2 x Serial ATA ports with 300MB/s HDD transfer rate
Ethernet Chipset	1 x Intel® 82583V PCIe GbE controller 1 x GbE by Qseven™ CPU Module
Audio Interface	Realtek ALC662 CODEC, MIC/ Line-out phone jack

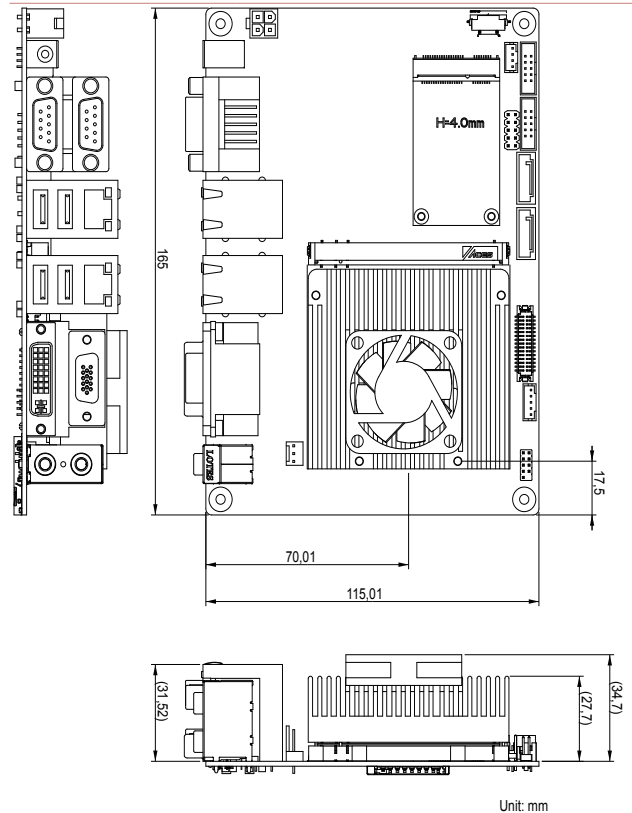
Display

Graphics Chipset	GPU: Depending on Qseven CPU module
Graphics Interface	1 x Single Channel 24-bit LVDS (Default) 1 x Dual Channels 24-bit LVDS (by DP to LVDS bridge) 1 x DDI port (EmQ-i2506 only, optional) 1 x Analog RGB (by reserved pin from Qseven GF/ EmQ-i2506 only, optional)

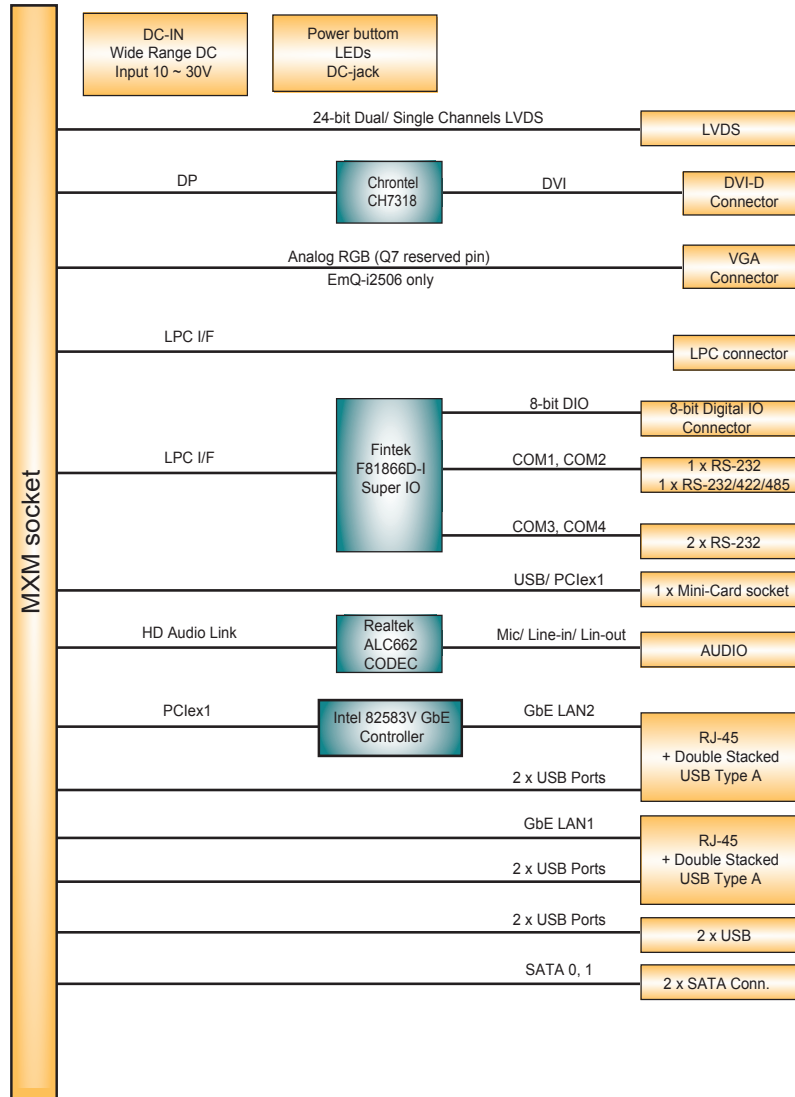
Mechanical & Environmental

Power Requirement	4-pin Aux. ATX power connector for wide range DC power input 10V ~ 30V
Power Consumption	1.26A@+12V w/ EmQ-i2506 (Typical)
Operating Temp.	-20 ~ 70°C (-4 ~ 158°F)
Operating Humidity	0 ~ 90% (non-condensing)
Dimension (L x W)	165 mm x 115 mm (6.5" x 4.5")

Dimensions



Block Diagram



Ordering Information

PBQ-3000	Qseven™ carrier board in EPIC form factor
CBK-06-3000-00	Cable kit 1 x USB cable 1 x USB2 cable 2 x Serial port cables 1 x SATA cable 1 x SATA power cable

Assured Systems

Assured Systems is a leading technology company with over 1,500 regular clients in 80 countries, deploying over 85,000 systems to a diverse customer base in 12 years of business. We offer high-quality and innovative rugged computing, display, networking and data collection solutions to the embedded, industrial, and digital-out-of-home market sectors.

US

sales@assured-systems.com

Sales: +1 347 719 4508
Support: +1 347 719 4508

1309 Coffeen Ave
Ste 1200
Sheridan
WY 82801
USA

EMEA

sales@assured-systems.com

Sales: +44 (0)1785 879 050
Support: +44 (0)1785 879 050

Unit A5 Douglas Park
Stone Business Park
Stone
ST15 0YJ
United Kingdom

VAT Number: 120 9546 28
Business Registration Number: 07699660