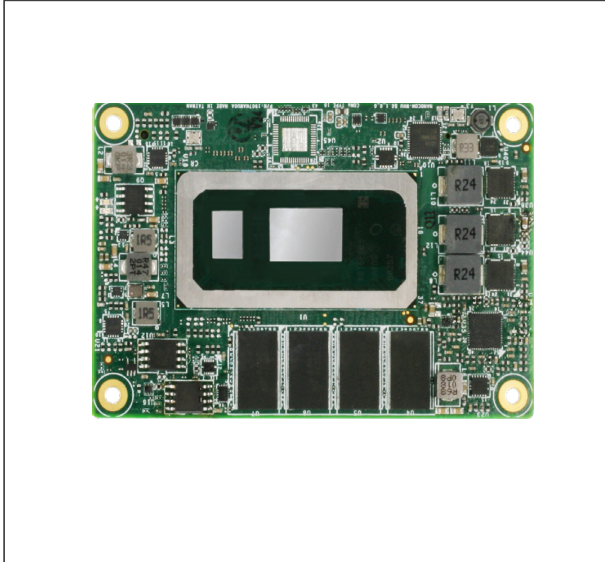


NanoCOM-WHU Rev.B

COM Express Type 10 with 8th Gen Intel® Core™/Celeron® Processor 4000 Series Processors

COM Express CPU Modules



Features

- Onboard LPDDR4, up to 8GB
- LVDS x 1, DDI x 1
- USB 2.0 x 8, USB 3.2 Gen 2 x 2
- SATA III x 2
- PCIe [x1] x 4
- Intel® I219-LM GbE x 1
- COM Express Type 10, 3.31" x 2.17" (84mm x 55mm)



Specifications

System	
Form Factor	COM Express Mini Size, Type 10
CPU	8th Generation Intel® Core™ Processors: Intel® Core™ i7-8665UE (4C/8T, 1.70 GHz, 15W) Intel® Core™ i5-8365UE (4C/8T, 1.60 GHz, 15W) Intel® Core™ i3-8145UE (2C/4T, 2.20 GHz, 15W) Intel® Celeron® Processor 4000 Series: Intel® Celeron® Processor 4305UE (2C/2T, 2.00 GHz, 15W)
Chipset	Integrated with Intel® SoC
Memory	Onboard LPDDR4 2400MHz, up to 8GB
Onboard Storage	—
BIOS	AMI UEFI
Wake on LAN	Yes
Watchdog Timer	255 Levels
Dimension	3.31" x 2.17" (84mm x 55mm)
Security	fTPM
Power	
Power Requirement	+12V and +5VSB for ATX, +12V for AT
Power Type	AT/ATX
Power Consumption (Typical)	Intel® Core™ i7-8665UE, 2.10A @+12V
Display	
Graphics Controller	Intel® UHD Graphics 610 Intel® UHD Graphics 620
Video Output	Dual Display: DDI x 1, up to 3840 x 2160 18/24-bit Single-Channel LVDS/eDP x 1
I/O	
Ethernet	Intel® I219-LM GbE x 1
Audio	High Definition Audio Interface
USB Port	USB 2.0 x 8, USB 3.2 Gen 2 x 2
Serial Port	2-Wire UART x 2 (Tx/Rx)

HDD Interface	SATA III x 2
Expansion	PCIe 3.0 [x1] x 4 LPC x 1
GPIO	8-bit
SMBus/I2C	I2C x 1, SMBus x 1
Environment	
Operating Temperature	32°F ~ 140°F (0°C ~ 60°C) Optional: -40°F ~ 185°F (-40°C ~ 85°C)
Storage Temperature	-40°F ~ 185°F (-40°C ~ 85°C)
Operating Humidity	0% ~ 90% relative humidity, non-condensing
EMC	CE/FCC Class A
OS Support	Windows® 10 (64-bit) Linux Ubuntu 18.04.3/Kernel 5.0.0
Weight	0.15 lb. (0.07Kg)

Packing List

- NANOCOM-WHU-B10

Optional Accessories

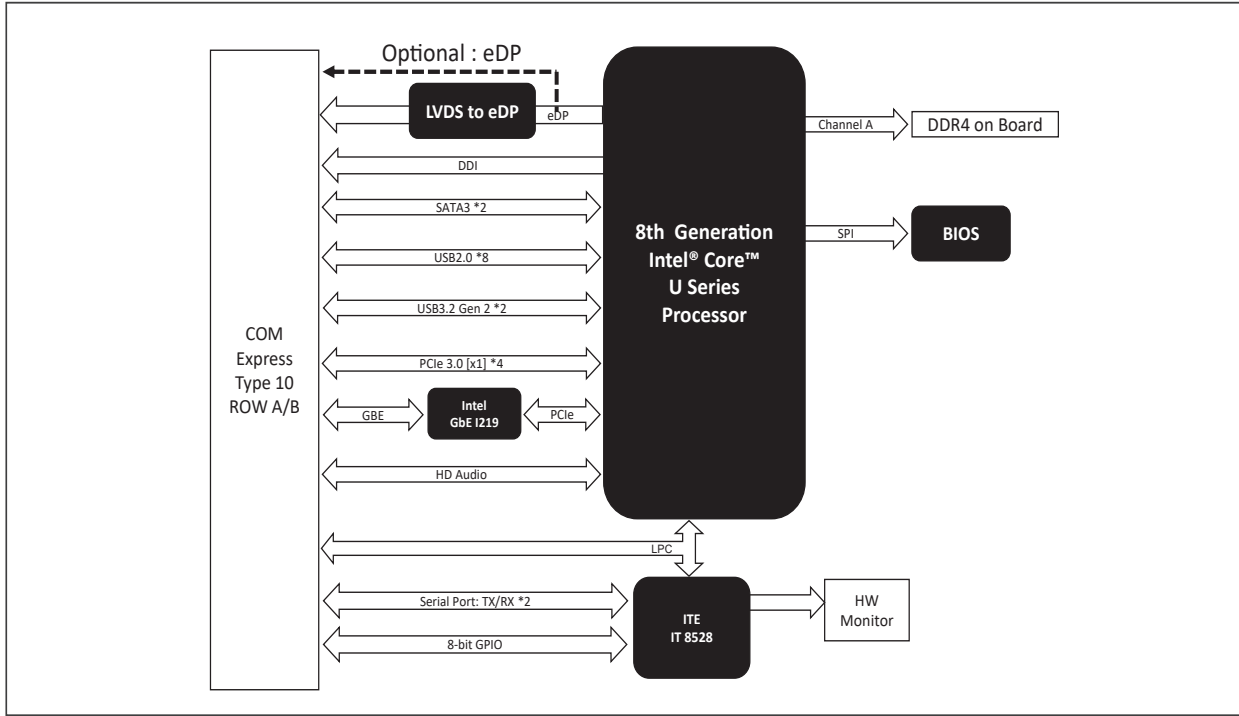
Part Number	Description
ECB-920A-A11-0001	COMe Type 6/10 Carrier Board. ATX. 2.5GbE. 8USB. 2COM. 4SATA. PCIe. AT/ATX. Rev. A1.1
NanoCOM-WHU-HSP01	Heat Spreader. 84 x 55 x 11 mm. Black
NanoCOM-WHU-FAN01	Cooler. 84 x 55 x 18 mm. 4pin.

NanoCOM-WHU Rev.B

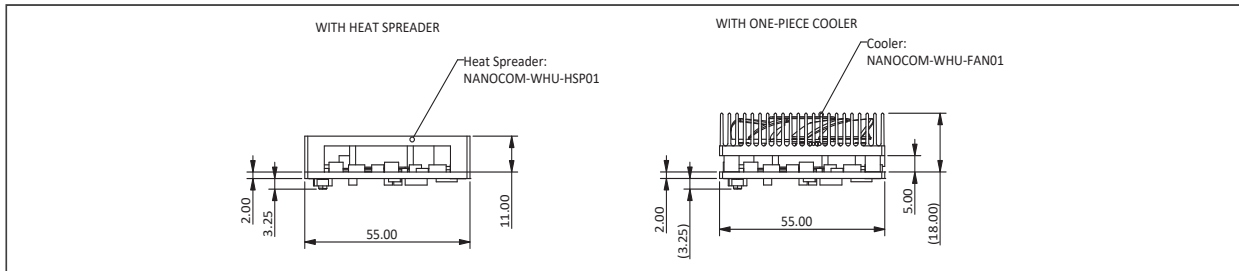
04

COM Express CPU Modules

Block Diagram Unit: mm



Dimension Unit: mm



Ordering Information

Part Number	COM Express Type	CPU	Memory	ECC support	Display	Storage	LAN	USB	UART	Expansion	Power	Temperature	Others
NANOCOM-WHU-B10-0001	Type 10	Intel® Core™ i7-8665UE	8GB Onboard DDR4	—	LVDS x 1, DDI x 1	SATA III x 2	Intel® I219-LM x 1	USB 3.2 Gen 2 x 2 USB 2.0 x 8	2-Wire UART x 2 (Tx/Rx)	PCIe 3.0 [x1] x 4	12V	0°C ~ 60°C	LPC, GPIO 8-bit, I2C, SMBus

Assured Systems

Assured Systems is a leading technology company with over 1,500 regular clients in 80 countries, deploying over 85,000 systems to a diverse customer base in 12 years of business. We offer high-quality and innovative rugged computing, display, networking and data collection solutions to the embedded, industrial, and digital-out-of-home market sectors.

US

sales@assured-systems.com

Sales: +1 347 719 4508
Support: +1 347 719 4508

1309 Coffeen Ave
Ste 1200
Sheridan
WY 82801
USA

EMEA

sales@assured-systems.com

Sales: +44 (0)1785 879 050
Support: +44 (0)1785 879 050

Unit A5 Douglas Park
Stone Business Park
Stone
ST15 0YJ
United Kingdom

VAT Number: 120 9546 28
Business Registration Number: 07699660