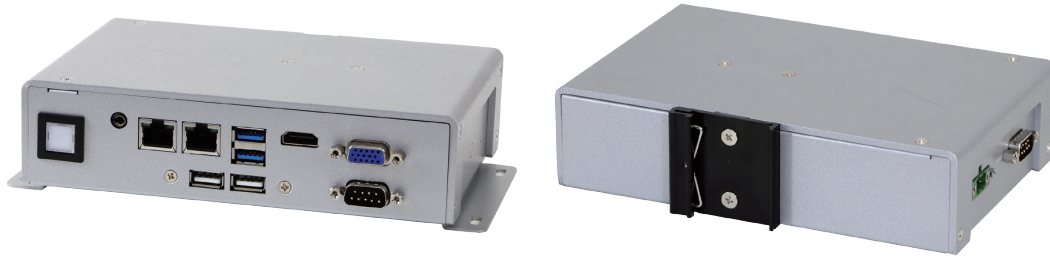


BPC-3025

Arestech

Ultra Compact IoT Gateway Solution Fanless
Embedded Box PC with Intel® Apollo Lake Processor



Features

- Intel® Pentium® N4200/ Celeron® N3350 Processor
- Support 2 LAN, 2 COM, 4 USB
- Support Wide Range 9~36V DC input
- Support DIN Rail, Wall Mount

Applications

- IoT Gateway
- Factory Automation
- Devices Monitoring
- Intelligent Transportation Systems

→ Packing List

| Description |
|-------------------|
| 1 x BPC-3025 |
| 1 x Power Adaptor |
| 1 x Power Cord |
| 1 x DIN Rail Kits |

→ Optional Items

| Part No. | Description |
|-----------|---|
| AWD-WF001 | wifi 802.11 b/g/n (1T1R) + 1 antenna , Half size |
| AWD-WF003 | wifi 802.11 a/b/g/n/ac/BT4.0 (2T2R) + 2 antenna(dual band), Half size |
| AWD-3G002 | 3G UC20-G(HSPA+)+ 1 antenna, Full size with SIM socket |
| AWD-4G001 | 4G(LTE) EC20-E+ 2 antenna, Full size with SIM socket |

→ Ordering Information

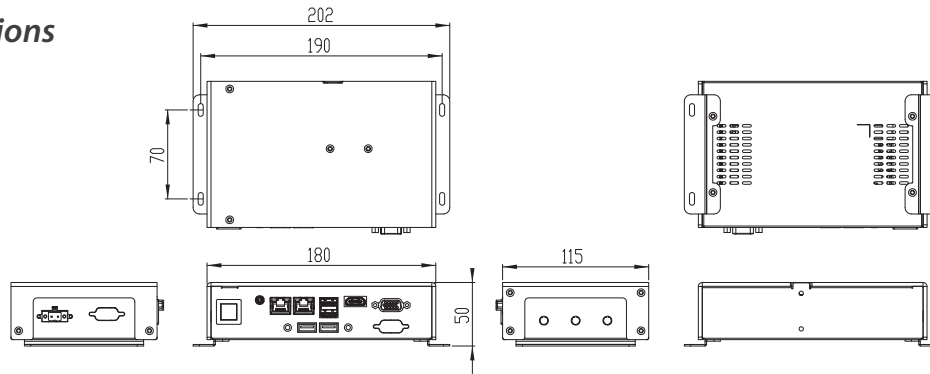
| Part No. | Description |
|--------------|--|
| BPC-3025-1A1 | Intel® Pentium® N4200 2.5GHz Quad Core CPU, 2 x DDR3L memory, 2 USB3.0, 2 USB2.0, 1 RS-232/422/485 , 1 RS-232, 2 x GbE, 1 VGA, 1 HDMI, DC 9~36V, Phoenix Connector, DIN Rail |
| BPC-3025-2A1 | Intel® Celeron® N3350 2.4GHz Dual core CPU, 2 DDR3L memory, 2 USB3.0, 2 USB2.0, 1 RS-232/422/485 , 1 RS-232, 2 x GbE, 1 VGA, 1 HDMI, DC 9~36V, Phoenix Connector, DIN Rail |

www.arestech.com.tw

BPC-3025

Arestech

→ Dimensions



→ Specifications

| Model | | BPC-3025-1A1 | BPC-3025-2A1 |
|---------------------|---|---|--|
| Processor System | CPU | Intel® Pentium® N4200 Processor (Quad Core, 1.1GHz, up to 2.5GHz) | Intel® Celeron® N3350 Processor (Dual Core, 1.1GHz up to 2.4GHz) |
| | System Chipset | N/A | |
| | BIOS | UEFI | |
| Memory | Technology | Dual channel DDR3L 1866 MHz SDRAM | |
| | Max. Capacity | 8 GB | |
| | Socket | 2 204-pin SO-DIMM | |
| Display | Graphics Engine | Intel® HD Graphics 500 | |
| | VGA | Max resolution, Up to 1920 x 1200 @ 60Hz | |
| | DVI-D | N/A | |
| | HDMI | HDMI 1.4b, Max Resolution Up to 3840 x 2160 @30Hz | |
| | Display Port | N/A | |
| Multi Display | | VGA + HDMI | |
| | | | |
| Front I/O Interface | USB | 4, 2 USB 3.0, 2 USB 2.0 | |
| | Serial | 2, COM ports (1 RS-232/422/485, 1 RS-232) | |
| | GPIO | 1, GPIO (8 bit) | |
| | Ethernet | Dual GbE, Intel® i211AT, 10/100/1000 Mbps | |
| | Audio | Line out | |
| | Others | N/A | |
| Rare I/O Interface | USB | N/A | |
| | Serial | N/A | |
| | GPIO | N/A | |
| | Ethernet | N/A | |
| | Audio | N/A | |
| Others | N/A | | |
| Expansion | miniPCIe/ M.2 Slot | 1 miniPCIe (full-size) | |
| | PCI/ PCIe Slot | N/A | |
| Storage | HDD/SSD | N/A | |
| | RAID | N/A | |
| | mSATA/M.2 | 1 M.2 2242 Key B/M | |
| Power | Power On Model | AT/ ATX | |
| | Power Supply Voltage | 9-36 V DC input (Phoenix Connector), 6.7-1.7 A | |
| | Power Consumption (Typical) | 0.69A @ 12 V (8.3 W) | 0.69A @ 12 V (8.3 W) |
| | Power Consumption (Max.) | 3.18A @ 12 V (38.2W) | 3.18 A @ 12 V (38.2W) |
| Battery | CR2032; 3.3V | | |
| Mounting | Type | Wall Mount, DIN Rail | |
| Environment | Operating Temperature | -20~50° C (-4~122° F) (Humidity: 60° C @ 80% RH Non-condensing) w/ Extended Temp. RAM & M.2 SSD | |
| | Storage Temperature | -40~85° C (-40~185° F) (Humidity: 60° C @ 95% RH Non-condensing) | |
| | Humidity | 5~95% @ 40° C, non-condensing | |
| | Vibration | 1 Grms, IEC 60068-2-64, random, 5~500 Hz, 1 Oct/min., 1 hr/axis, x, y, z 3 axes | |
| | Shock | 20 G, IEC 60068-2-27, half sine, 11 ms duration | |
| General | Certification | TBD | |
| | Thermal Dissipation | Fanless System | |
| | Ingress Protection | IP40 Protection | |
| | Dimensions (W x H x D) | 180 x 50 x 115 mm (7.09" x 1.97" x 4.53") | |
| | Net Weight | 0.77kg (1.7lb) | |
| Operating System | Windows 10 IoT 64Bit, Linux kernal 4.0.x or above | | |

Tel: +886-2-8287-9168 Fax: +886-2-8287-2577 Email: service@arestech.com.tw

Assured Systems

Assured Systems is a leading technology company with over 1,500 regular clients in 80 countries, deploying over 85,000 systems to a diverse customer base in 12 years of business. We offer high-quality and innovative rugged computing, display, networking and data collection solutions to the embedded, industrial, and digital-out-of-home market sectors.

US

sales@assured-systems.com

Sales: +1 347 719 4508
Support: +1 347 719 4508

1309 Coffeen Ave
Ste 1200
Sheridan
WY 82801
USA

EMEA

sales@assured-systems.com

Sales: +44 (0)1785 879 050
Support: +44 (0)1785 879 050

Unit A5 Douglas Park
Stone Business Park
Stone
ST15 0YJ
United Kingdom

VAT Number: 120 9546 28
Business Registration Number: 07699660