



INDUSTRIAL TOUCH SCREEN MONITOR
VIO-217-MX200

17" SXGA 4:3 Resistive / Capacitive Touch Monitor with 2x 10W Speaker



Features

- 17" TFT SXGA 4:3 LCD with resistive 5-wire / projected capacitive touch
- 1x VGA, 1x HDMI, 1x DisplayPort, 1x USB 2.0, 1x COM, 1x Audio
- 9 to 48VDC wide range power input
- -10°C to 60°C extended operating temperature
- Designed with aluminum die-casting front frame
- IP65 compliant front panel
- Two 10W internal speakers built-in
- Multi-language OSD built-in

Specifications

| Display | |
|---------------------------------|--|
| IP Rating | IP65 |
| LCD Size | 17" (4:3) |
| Max. Resolution | 1280 x 1024 (SXGA) |
| Brightness (cd/m ²) | 350 / 1000 (optional) |
| Contrast Ratio | 800:1 |
| LCD Color | 16.7M |
| Pixel Pitch (mm) | 0.264(H) x 0.264(V) |
| Viewing Angle | 160/140 |
| Backlight MTBF | 50000 hrs (LED Backlight) |
| Touch | |
| Projected Capacitive | VIO-217C-MX200 |
| Resistive 5-Wire | VIO-217R-MX200 |
| I/O | |
| Audio | 1x Audio Input |
| COM | 1x COM Port Input (Resistive Touch Only) |
| USB | 1x USB 2.0 (For Resistive Touch or P-CAP Touch) |
| DP | 1x DisplayPort |
| HDMI | 1x HDMI |
| VGA | 1x VGA |
| Others Features | |
| Speaker | AMP 10W + 10W |
| OSD | LCD On/Off, Auto, Menu, Up and Down Multi-language |
| Power | |
| Power Adapter | Optional AC/DC 12V/5A, 60W |
| Power Management | Power Ignition Management |
| Power Mode | AT, ATX |
| Power Supply Voltage | 9~48 VDC |
| Power Connector | 3-Pin Terminal Block |
| Power Protection | OVP (Over Voltage Protection) OCP (Over Current Protection) Reverse Protection |
| Operating Temperature | -10 °C ~ 60 °C |
| Storage Temperature | -20 °C to 70 °C |
| Relative Humidity | 10% ~ 80% (non-condensing) |
| IP Level | IP 65 Compliant Front Panel |
| Certification | CE, FCC Class A |
| Vibration | 1.5 Grms, 5 - 500 Hz, 0.5 hr/axis |
| Shock | 20G, half sine, 11ms |
| Physical | |
| Dimensions | 407.5 (W) x 339 (D) x 70.5 (H) mm |
| Weights | 6.3 kg ~ 6.38 kg |
| Mounting Options | VESA Mounting Holes 75 x 75mm, 100 x 100mm |

Available Models

- VIO-217R-MX200
17" 4:3 SXGA Resistive Touch Thin Frame Monitor with 2x 10W Speaker
- VIO-217C-MX200
17" 4:3 SXGA Capacitive Touch Thin Frame Monitor with 2x 10W Speaker

Optional Accessories

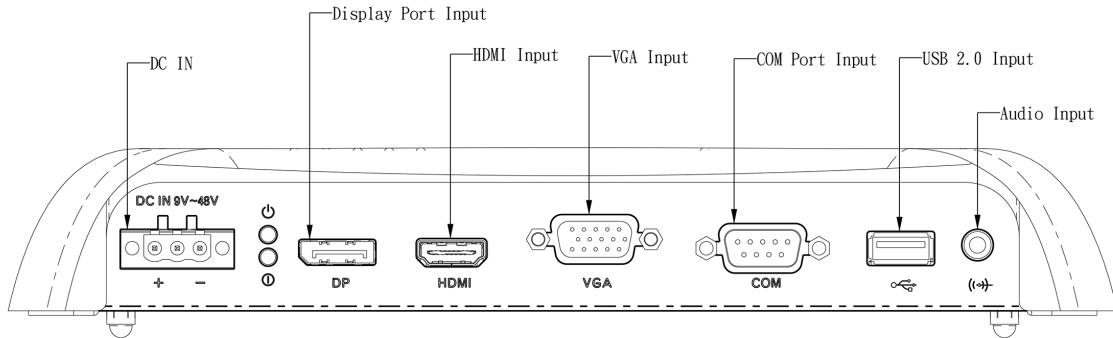
- 1-E09A06008
Adapter AC/DC 12V 5A 60W with 3pin Terminal Block Plug 5.0mm Pitch
- SFICBL022
Power Cord, 3-pin US Type, 180cm
- 1-TPCD00002
Power Cord, European Type
- 1-TPCD00001
Power Cord, 3-pin UK Type, 180cm

Packing List

- 1x VIO-217-MX200 Touch Monitor
- 10x Panel Mount Kit
- 1x USB Cable
- 1x VGA Cable
- 1x Screw Pack

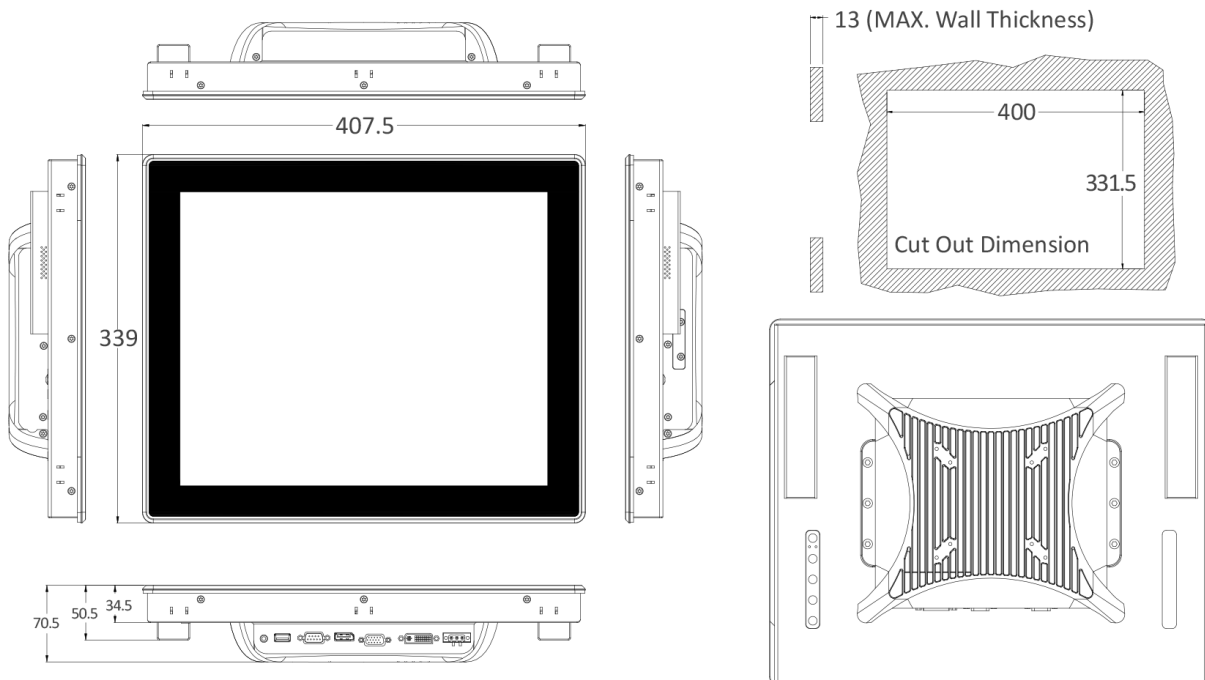
* All specifications and photos are subject to change without notice.

External I/O Mechanical Layout



Dimension

Unit: mm



Assured Systems

Assured Systems is a leading technology company with over 1,500 regular clients in 80 countries, deploying over 85,000 systems to a diverse customer base in 12 years of business. We offer high-quality and innovative rugged computing, display, networking and data collection solutions to the embedded, industrial, and digital-out-of-home market sectors.

US

sales@assured-systems.com

Sales: +1 347 719 4508
Support: +1 347 719 4508

1309 Coffeen Ave
Ste 1200
Sheridan
WY 82801
USA

EMEA

sales@assured-systems.com

Sales: +44 (0)1785 879 050
Support: +44 (0)1785 879 050

Unit A5 Douglas Park
Stone Business Park
Stone
ST15 0YJ
United Kingdom

VAT Number: 120 9546 28
Business Registration Number: 07699660