

## ARCDIS-110AP/R/G(H)

10.1" Front Panel IP66 Aluminum Die-casting Display

Industrial Panel PC

HMI Controller

**Industrial Display Monitor**

Box PC



### Features

- Solid aluminum die-casting chassis
- Variety of LCD panel size selections
- IP66 compliant front panel
- VGA, DVI, HDMI and DP input
- Wide range DC 9~36V power input
- Auto dimming for option



### Specifications

| I/O Port             |   |
|----------------------|---|
| VGA                  | 1 x VGA   |
| DVI                  | 1 x DVI-D (share with HDMI)   |
| DP                   | 1 x DP  |
| HDMI                 | 1 x HDMI (share with DVI-D)   |
| Audio                | 1 x Audio line-in phone jack  |
| OSD Control Membrane | OSD at rear side  |
| Power                | 1 x 3-pin terminal block for DC 9~36V power input   |
| Others               | 1 x USB type B for touch control<br>Optional I/O:<br>1 x Speaker<br>1 x RS-232 DB-9 for Touch Control |

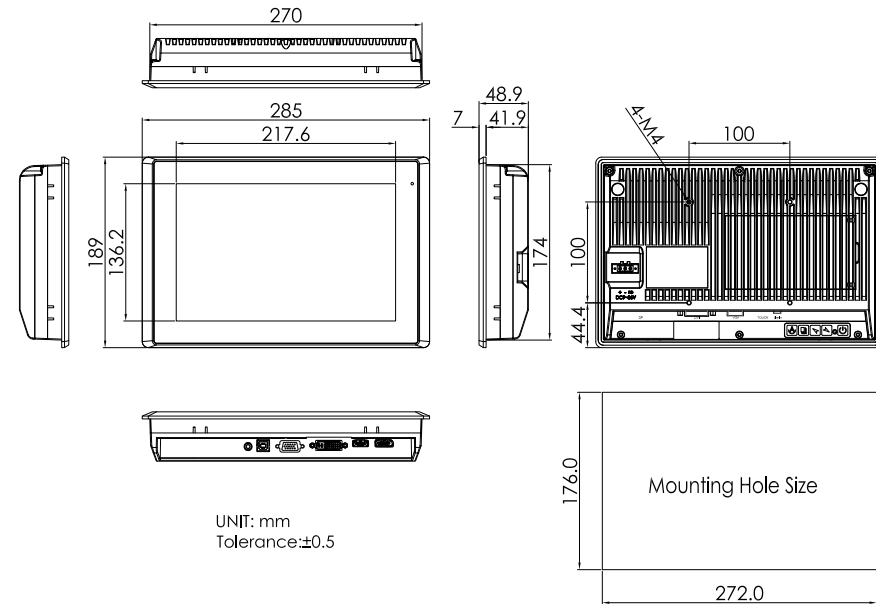
| Display                        | Standard        | High Brightness Optional |
|--------------------------------|-----------------|--------------------------|
| Display Type                   | 10.1" TFT-LCD   | 10.1" TFT-LCD            |
| Max. Resolution                | 1280 x 800      | 1280 x 800               |
| Max. Color                     | 16.7M           | 16.7M                    |
| Luminance (cd/m <sup>2</sup> ) | 350             | 1000                     |
| View Angle                     | 170(H) / 170(V) | 170(H) / 170(V)          |
| Contrast                       | 800:1           | 1000:1                   |
| Backlight Lifetime             | 25,000 hrs      | 50,000 hrs               |

| Touch Screen          |   |
|-----------------------|---|
| Type                  | Resistive Touch (for AR Model)<br>Projected Capacitive Touch (for AP Model)<br>Glass (for AG model) |
| Interface             | USB default (Resistive / Projected Capacitive Touch)<br>RS-232 Option (Resistive Touch)             |
| Light Transmission(%) | Resistive Touch : over 80%<br>Projected Capacitive Touch : over 90%                                 |

| Power             |                          |
|-------------------|--------------------------|
| Power Input       | DC 9~36V                 |
| Power Consumption | ARCDIS-110AP: 5.1W (MAX) |

| Mechanical         |                                    |
|--------------------|------------------------------------|
| Construction       | Aluminum Die-casting Chassis       |
| Mounting           | Panel Mount / VESA Mount 100 x 100 |
| IP Rating          | IP66 Compliant Front Panel         |
| Dimensions (WxHxD) | 285 x 189 x 48.9 mm                |
| Net Weight         | 1.9 kg                             |

### Dimensions



| Environmental         |                                  |
|-----------------------|----------------------------------|
| Operating Temperature | 0~50°C / -20~60°C for option     |
| Storage Temperature   | -30~70°C                         |
| Humidity              | 10 to 95% @ 40°C, non-condensing |
| Certificate           | CE/FCC, Class A                  |

| Ordering Information |   |
|----------------------|---|
| ARCDIS-110AR         | 10.1" FPD Industrial display, Resistive touch window, VGA, DVI, HDMI, and DP input, 5 keys Rear OSD, DC 9~36V power input with adapter, Aluminum Die-casting Chassis            |
| ARCDIS-110AP         | 10.1" FPD Industrial display, Projected Capacitive touch screen, VGA, DVI, HDMI, and DP input, 5 keys Rear OSD, DC 9~36V power input with adapter, Aluminum Die-casting Chassis |

## Assured Systems

Assured Systems is a leading technology company with over 1,500 regular clients in 80 countries, deploying over 85,000 systems to a diverse customer base in 12 years of business. We offer high-quality and innovative rugged computing, display, networking and data collection solutions to the embedded, industrial, and digital-out-of-home market sectors.

### US

[sales@assured-systems.com](mailto:sales@assured-systems.com)

Sales: +1 347 719 4508  
Support: +1 347 719 4508

1309 Coffeen Ave  
Ste 1200  
Sheridan  
WY 82801  
USA

### EMEA

[sales@assured-systems.com](mailto:sales@assured-systems.com)

Sales: +44 (0)1785 879 050  
Support: +44 (0)1785 879 050

Unit A5 Douglas Park  
Stone Business Park  
Stone  
ST15 0YJ  
United Kingdom

VAT Number: 120 9546 28  
Business Registration Number: 07699660