

# R17L100-MLA1FP

## 17" PCAP Rack Mount Defence Display



### KEY FEATURES

- 17", 1280 x 1024 resolution
- Compliant MIL-STD 810G/ MIL-STD 461E
- Rack mount mechanical design, supports VESA mount
- PCAP multi-touch screen
- Defence-grade power connector (MIL-DTL-38999/1)
- AC 100~240V, Universal, ±10%; DC 9~36V, ±10% (Optional)
- Convenient on-screen display controls

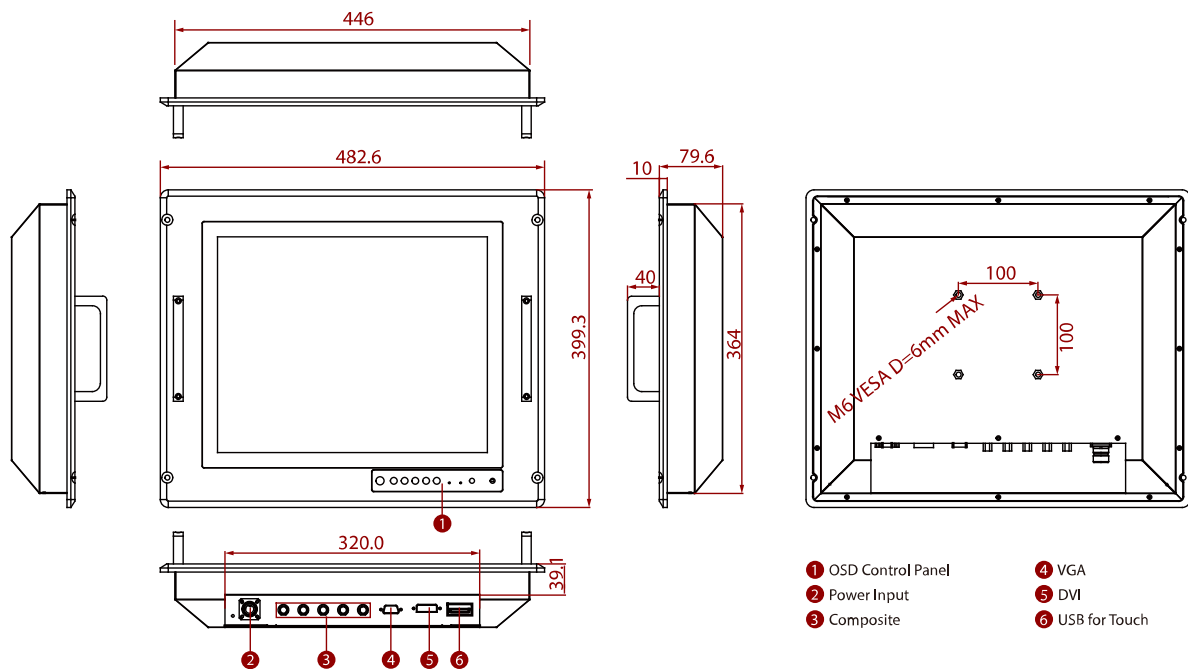


### SPECIFICATIONS

Display			
<b>Resolution</b>	1280x1024	<b>Size</b>	17 inches
<b>Contrast Ratio</b>	1000:1	<b>Panel Brightness</b>	350 nits
<b>Display Color</b>	16.7M Colors	<b>View Angles</b>	85,85,80,80
<b>Active Area</b>	337.920x270.336 mm	<b>Touch / Glass</b>	Projected Capacitive Multi Touch Screen PCAP with With ITO Flim (Optional)
Environment			
<b>Operating Humidity</b>	10% to 95% RH	<b>Operating Temperature</b>	-20°C~60°C
<b>Storage Temperature</b>	-30°C~70°C		
Compliance			
<b>MIL-STD 461E/F</b>	RE101 / RE102 CE101 / CE102 with EMI Glass / Touch(Optional) RS101 / RS 103 CS101 / CS 106 / CS 109 / CS 114 / CS 115 / CS 116	<b>MIL-STD 810F/G</b>	Vibration Method 514.5 Humidity Method 507.4 Transit Drop Method516.5
Certification			
<b>Certification</b>	CE, FCC		
IO Ports			
<b>USB Port</b>	1 x USB for Touch	<b>Video</b>	1 x VGA 5 x BNC (R,G,B,H,V) 1 x DVI-D
Mechanical			
<b>Dimension</b>	482.6 x 399.3 x 79.6 mm	<b>Mounting</b>	Rack Mount/ VESA Mount
<b>Enclosure</b>	Metal Housing with Aluminum Bezel	<b>Cooling System</b>	Fanless Design
Accessory			
<b>Accessory</b>	1 x User Manual(Hardcopy) 1 x Power Cord MIL-DTL-38999/1 1 x VGA Cable 1 x DVI Cable 1 x VGA to 5 BNC Shielding Cable		

Power	
<b>Power Rating</b>	AC 100~240V, Universal, ±10% DC 9~36V, ±10% (Optional)
Control	
<b>Button</b>	7 key: Power Decrease Increase Exit/ Auto Menu Day/ Night Lock/ Unlock

**DIMENSIONS** UNIT:MM



**NOTE**

1. The product shown in this datasheet is a standard model. For diagrams that contain customized or optional I/O, please contact the Winmate Sales Team for more information.

## Assured Systems

Assured Systems is a leading technology company with over 1,500 regular clients in 80 countries, deploying over 85,000 systems to a diverse customer base in 12 years of business. We offer high-quality and innovative rugged computing, display, networking and data collection solutions to the embedded, industrial, and digital-out-of-home market sectors.

### US

[sales@assured-systems.com](mailto:sales@assured-systems.com)

Sales: +1 347 719 4508  
Support: +1 347 719 4508

1309 Coffeen Ave  
Ste 1200  
Sheridan  
WY 82801  
USA

### EMEA

[sales@assured-systems.com](mailto:sales@assured-systems.com)

Sales: +44 (0)1785 879 050  
Support: +44 (0)1785 879 050

Unit A5 Douglas Park  
Stone Business Park  
Stone  
ST15 0YJ  
United Kingdom

VAT Number: 120 9546 28  
Business Registration Number: 07699660