



Industrial Solutions Partner!

SSD5745-INU V3

57.4" Resizing LCD, 1000 nits LED backlight, 3840 x 807 ultra-wide aspect ratio 16:3

The SSD5745-INU is a 57.4 inch color TFT-LCD display with special aspect ratio 16:3 and wide resolution 3840 x 807. It is Litemax's Spanpixel series product which designed for high brightness 1000 nits with power efficiency LED backlight. It provides LCD panel with specific aspect ratios and sunlight readable for digital signage, public transportation, exhibition hall, department store, and vending machine.

Key Features

- Resizing LCD
- Ultra-Wide Screen (16 : 3)
- High Brightness 1000 nits
- Sunlight Readable
- LED Backlight
- Slim Bezel
- BL MTBF 100,000 hours



Specifications

| | |
|---------------------------------|--|
| Model Name | SSD5745-INU V3 |
| Description | 57.4" Resizing LCD, 1000nits LED backlight, 3840x807 |
| Screen Size | 57.4" |
| Display Area (mm) | 1428.48(H) x 300.2(V) |
| Brightness | 1000 cd/m ² |
| Resolution | 3840x807 |
| Aspect Ratio | 16 : 3 |
| Contrast Ratio | 5600 : 1 |
| Pixel Pitch (mm) | 0.372(H) x 0.372(V) |
| Pixel Per Inch (PPI) | 68 |
| Viewing Angle | 178°(H), 178°(V) |
| Color Saturation (NTSC) | 82% |
| Display Colors | 1.07G |
| Response Time (Typical) | 9.5ms |
| Panel Interface | V by one |
| AD Board Input Interface | DVI, HDMI, DP |
| Input Power | AC100~240V |
| Power Consumption | 89.8W |
| OSD Key | 5 Keys (Power Switch, Menu, +, Exit, -) |
| OSD Control | Brightness, Color, Contrast, Auto Turing, H/V Position...etc |
| Dimensions (mm) | 1465.4 x 336.8 x 65.1 |
| Bezel Size(U/B/L/R) | 16/16/16/16 mm |
| Mounting | 300x75, 650x100 |
| Weight (Net) | 15 kg |
| Operating Temperature | 0 °C ~ 50 °C |
| Storage Temperature | -20 °C ~ 60 °C |

SSD= Panel+ LED Driving Board + AD Control Board + Housing

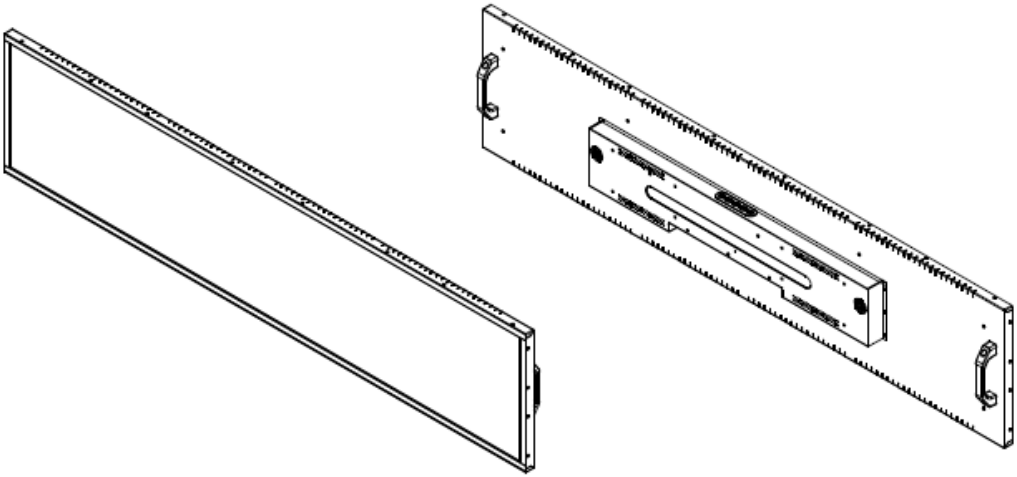
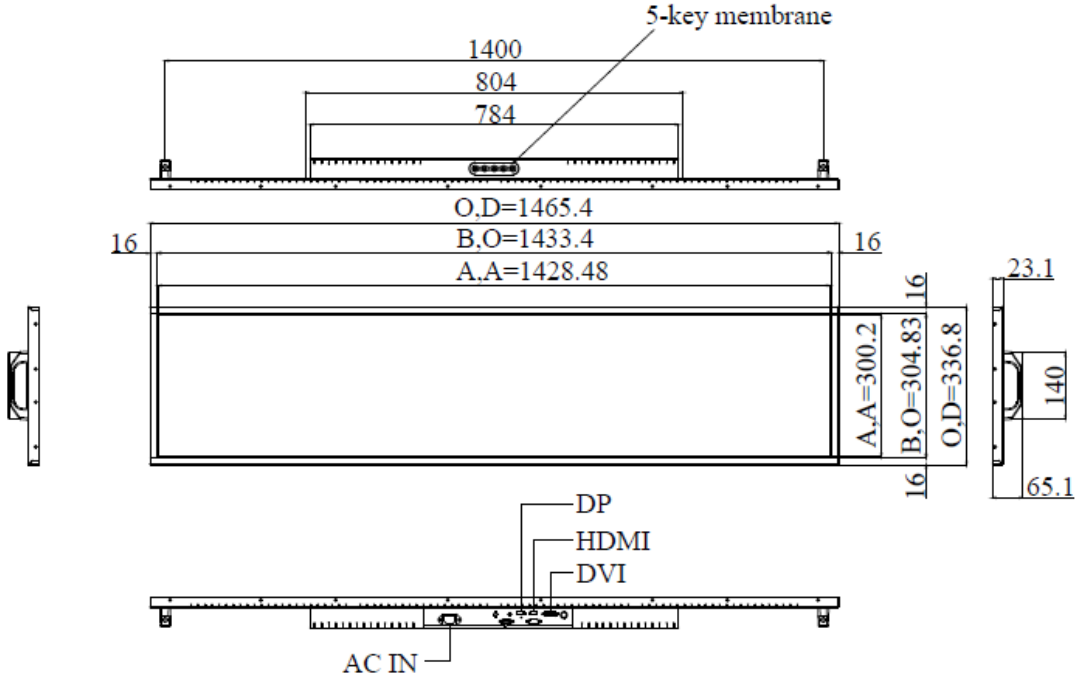
Specifications are subject to change without notice.
All brands or product names are trademarks or registered trademarks of their respective companies.



Mechanical Drawing

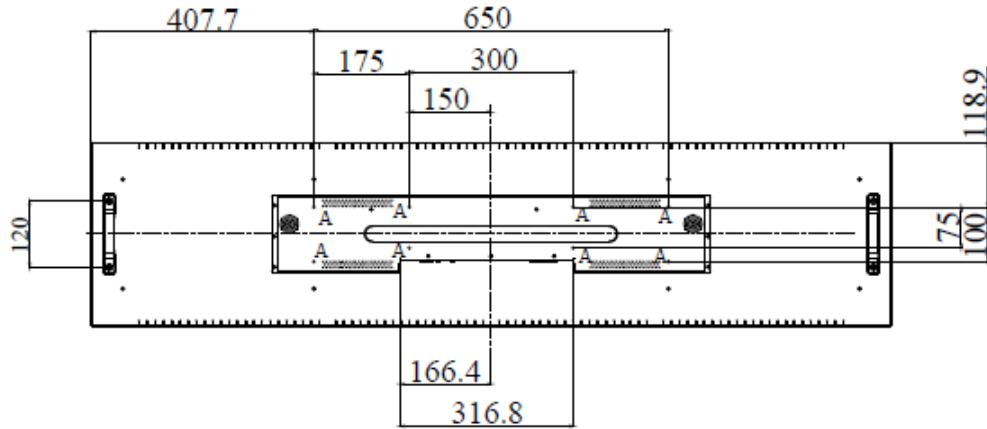
Outline Dimensions

Unit: mm





Industrial Solutions Partner!



NOTE :

O.D. : OUTLINE DIMENSION

B.O. : BEZEL OPENING

A.A. : LCD ACTIVE AREA

A : 8-M6_USER HOLE_MAX Depth=8mm



Industrial Solutions Partner!

Ordering Information

| Part Number | Description |
|-----------------|---|
| SSD5745-INU-N21 | 57.4",1000nits,3840*807.LID57C,T1,AD2796DHP.O/B,AC100~240V,V3 |
| | |

Optional Accessories

| Part Number | Description |
|--------------|--------------------------------------|
| 810618301010 | CABLE.POWER.AC.1830mm USA type |
| 810618301090 | CABLE,POWER,AC,1830mm Europe type |
| 810618301050 | CABLE.POWER.AC.1830mm UK type |
| 810618301170 | CABLE.POWER,AC,1830mm Australia type |
| 810618301031 | CABLE.POWER.AC.1830mm Japan type |
| | |

By Customer Request

| | |
|-------|---------------------------------|
| Glass | Tempered glass, AR coating..... |
| Touch | PCT |

Assured Systems

Assured Systems is a leading technology company with over 1,500 regular clients in 80 countries, deploying over 85,000 systems to a diverse customer base in 12 years of business. We offer high-quality and innovative rugged computing, display, networking and data collection solutions to the embedded, industrial, and digital-out-of-home market sectors.

US

sales@assured-systems.com

Sales: +1 347 719 4508
Support: +1 347 719 4508

1309 Coffeen Ave
Ste 1200
Sheridan
WY 82801
USA

EMEA

sales@assured-systems.com

Sales: +44 (0)1785 879 050
Support: +44 (0)1785 879 050

Unit A5 Douglas Park
Stone Business Park
Stone
ST15 0YJ
United Kingdom

VAT Number: 120 9546 28
Business Registration Number: 07699660