



Industrial Solutions Partner!

**SSD2653-Y**

**26.5" TFT LCD, LED Backlight 500nits, FHD(1920x1920)**

The SSD2653-Y is a 26.5 inch color TFT-LCD display with special aspect ratio 1:1 and wide resolution 1920 x 1920. It is Litemax's Spanpixel series product which designed for high brightness with power efficiency LED backlight. It provides LCD panel with specific aspect ratios and sunlight readable for digital signage, public transportation, exhibition hall, department store, and vending machine.

**Key Features**

- High Brightness 500nits
- Sunlight Readable
- Aspect ratio 1:1
- LED Backlight
- Low Power Consumption
- Slim Bezel
- BL MTBF: 100,000 hours



**Specifications**

Model Name	SSD2653-Y V1
Description	26.5" TFT LCD, 500nits LED Backlight, 1920x1920
Screen Size	26.5"
Display Area (mm)	475.776(H) x 475.776(V)
Brightness	500 cd/m <sup>2</sup>
Resolution	1920x1920
Aspect Ratio	1 : 1
Contrast Ratio	1200 : 1
Pixel Pitch (mm)	0.2478(H) x 0.2478(V)
Pixel Pre Inch (PPI)	102
Viewing Angle	178°(H),178°(V)
Color Saturation (NTSC)	81%
Display Colors	16.7M
Response Time (Typical)	14ms
Panel Interface	LVDS
AD Board Input Interface	DVI, HDMI, DP
Input Power	DC 12V
Power Consumption	51W
OSD Key	5 Keys (Power Switch, Menu, +, Exit, -)
OSD Control	Brightness, Color, Contrast, Auto Turing, H/V Position...etc
Dimensions (mm)	497.4x497.4x53.3
Bezel Size(U/B/L/R)	9.2/9.2/9.2/9.2 mm
Weight (Net)	5.9 kg
Mounting	200x200
Operating Temperature	0 °C ~ 50 °C
Storage Temperature	-20 °C ~ 60 °C

**SSD= Panel + LED Driving Board + AD Control Board + Chassis**

Specifications are subject to change without notice.  
All brands or product names are trademarks or registered trademarks of their respective companies.

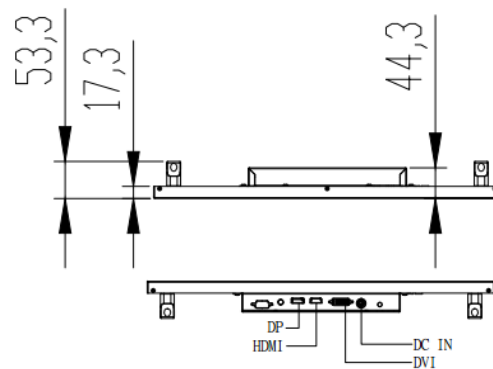
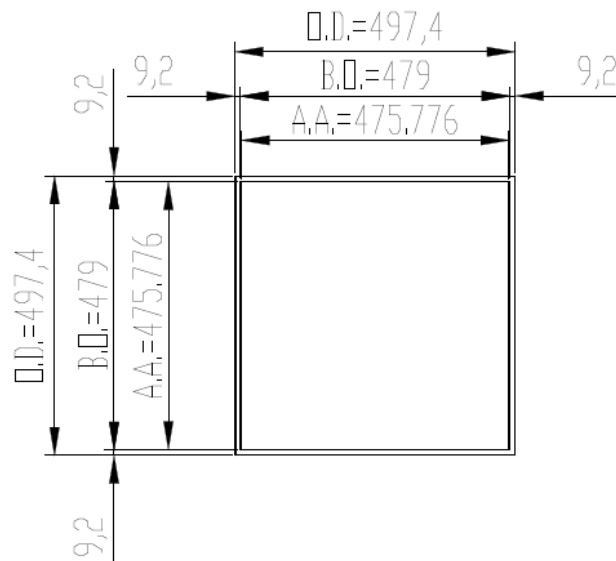
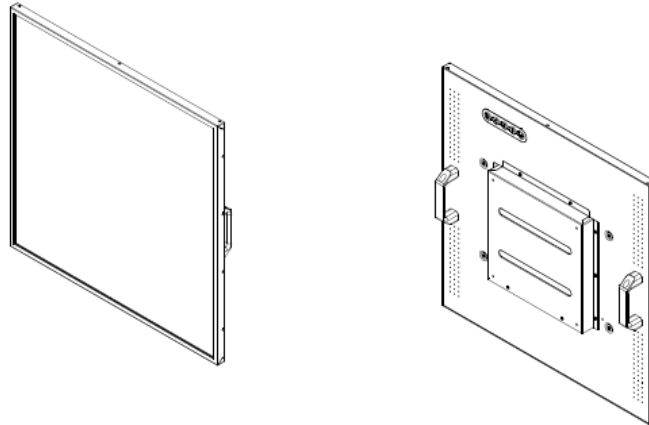


Industrial Solutions Partner!

**Mechanical Drawing**

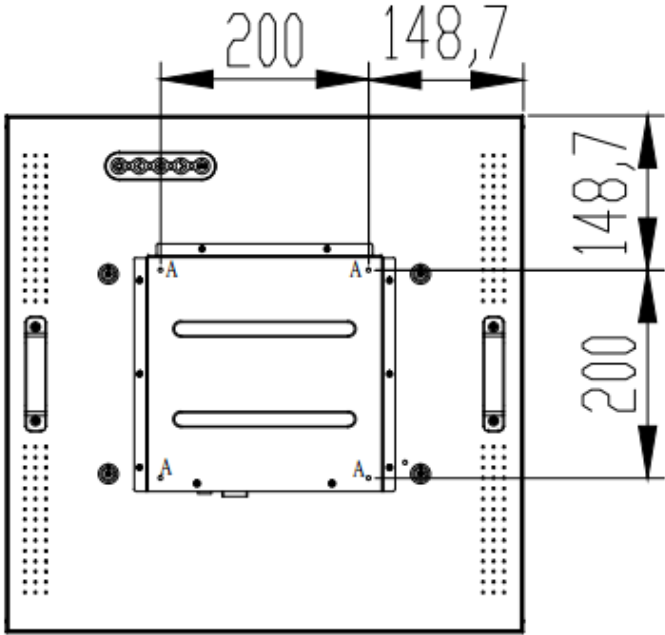
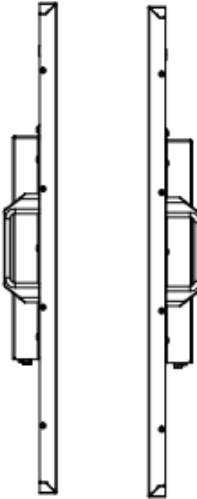
Outline Dimensions

Unit:mm





Industrial Solutions Partner!





Industrial Solutions Partner!

**Ordering Information**

Part Number	Description
<b>SSD2653-YNB-M01</b>	26.5",500nits,1920x1920,LID26C,AD9131DHP,O/B,DC12V,3in1,V1

**Optional Accessories**

Part Number	Description
<b>840612111201</b>	ADAPTER.12V.10A.120W.G99-CAD120F-N002.POWER DIN,P
<b>810618301010</b>	CABLE.POWER.AC.1830mm USA type
<b>810618301090</b>	CABLE,POWER,AC,1830mm Europe type
<b>810618301050</b>	CABLE.POWER.AC.1830mm UK type
<b>810618301170</b>	CABLE.POWER,AC,1830mm Australia type
<b>810618301031</b>	CABLE.POWER.AC.1830mm Japan type

**Customer request**

<b>Touch</b>	PCT (Multi-Touch)
<b>Glass</b>	Tempered glass,AR coating.....

## Assured Systems

Assured Systems is a leading technology company with over 1,500 regular clients in 80 countries, deploying over 85,000 systems to a diverse customer base in 12 years of business. We offer high-quality and innovative rugged computing, display, networking and data collection solutions to the embedded, industrial, and digital-out-of-home market sectors.

### US

[sales@assured-systems.com](mailto:sales@assured-systems.com)

Sales: +1 347 719 4508  
Support: +1 347 719 4508

1309 Coffeen Ave  
Ste 1200  
Sheridan  
WY 82801  
USA

### EMEA

[sales@assured-systems.com](mailto:sales@assured-systems.com)

Sales: +44 (0)1785 879 050  
Support: +44 (0)1785 879 050

Unit A5 Douglas Park  
Stone Business Park  
Stone  
ST15 0YJ  
United Kingdom

VAT Number: 120 9546 28  
Business Registration Number: 07699660