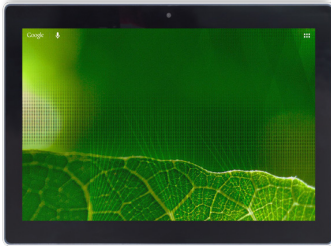




# M1016

## 10.1" Healthcare Infotainment Terminal



### Features

- Quad-Core ARM Cortex-A35 CPU 1.5G Hz, Android-based
- Bedside infotainment and medical thin-client application
- 10.1" LCD display
- 10-point Projected Capacitive Multi-Touch
- Support Android 8.1
- H.265/HEVC Video Decode
- IEC & EN 60601-1 (Edition 3.1) and IEC & EN 60601-1-2 (Edition 4th) certified
- PoE connectivity (PD)
- Operating temperature: 0°C ~ 40°C

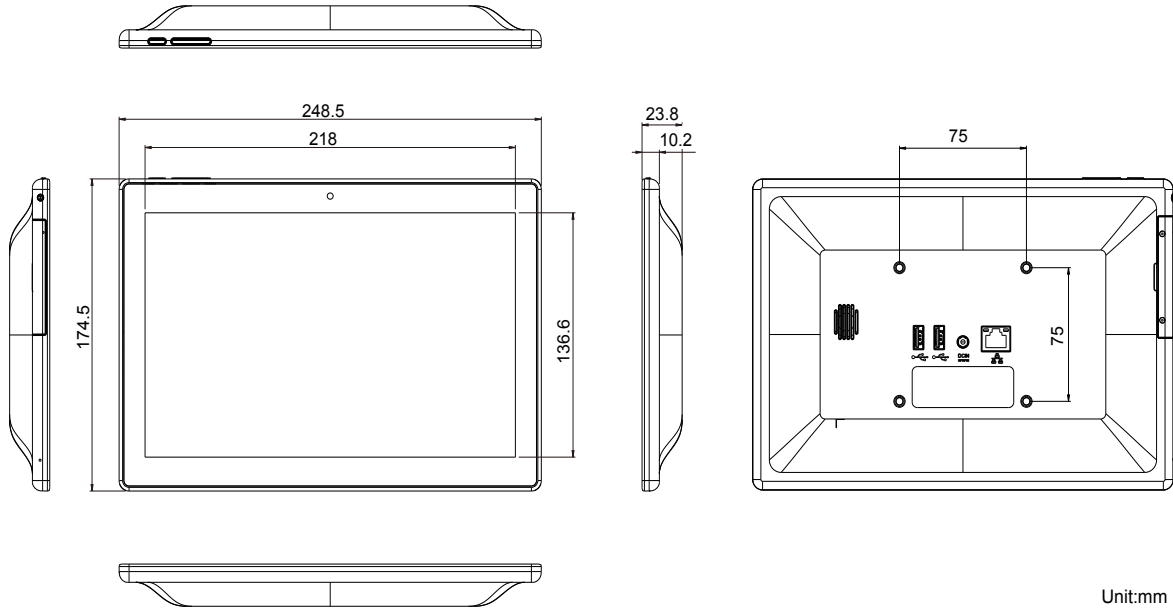
Medical Computing

<b>System</b>	
CPU	ARM Quad-Core Cortex-A35 1.5GHz (SoC)
GPU	Mali-G31 MP2
Memory	2GB DDR4 memory soldered on board
Storage	16GB eMMC Flash soldered on board
<b>Peripherals and Devices</b>	
Camera	2MP front-facing camera
WLAN & Bluetooth	1 x WLAN 802.11 a/b/g/n/ac & Bluetooth 5.0 + BLE
<b>I/O Interface</b>	
SD Card	1 x microSDHC/microSD card socket (hidden) (Max. 32GB)
Audio	1 x 3W stereo speaker 1 x 3.5mm earphone jack 1 x built-in microphone
LAN	1 x RJ-45 10/100M with PoE PD support
USB Port	2 x USB 2.0 Type-A port 1 x OTG micro-USB 2.0 (hidden)
<b>Button &amp; Indicator</b>	
Button	1 x Power on/off button 2 x Volume up/down buttons 1 x Reset button (hidden)
LED	Green: DC Jack Orange: PoE
<b>Touch Screen</b>	
Type	10-point Projected Capacitive Multi-Touch
<b>LCD Display</b>	
Size/Type	10.1" TFT, LVDS type
Max. Resolution	1280 x 800 (WXGA)
Contrast Ratio	800:1 (typ.)
Backlight Type	LED
Brightness	350 cd/m <sup>2</sup> (Typ.)
View Angle (U/D/R/L)	85°/85°/85°/85° (typ.)
<b>Video Streaming</b>	
UDP Streaming	Support multicast UDP stream decode
RTSP Streaming	Support RTSP stream decode
HLS Streaming	Support HLS stream

<b>Power Requirement</b>	
Power Input	PoE input or Power adaptor input
Adapter Input	100 ~ 240 VAC (full range)
Adapter Output	DC 12V, 2.5A
<b>Mechanical &amp; Environmental</b>	
Operating Temp.	0 ~ 40°C (32 ~ 104°F)
Storage Temp.	-5 ~ 60°C (23 ~ 140°F)
Operating Humidity	10 ~ 80% @ 40°C (non-condensing)
Dimensions	248.5 mm x 174.5mm x 23.8 mm (9.78" x 6.87" x 0.94")
Net Weight	623g (1.38lb)
Vibration	1 Grms/ 5 ~ 500Hz/ random operation
Shock	10G/ peak (11ms)
Mounting	VESA-75 compatible
IP Rating	Compliance design with IP65 (front touch panel)
Operational Altitude	Below 2000m
Regulatory	CE, FCC Part 15 Subpart C IEC & EN 60601-1 Safety (Edition 3.1), IEC & EN 60601-1-2 EMC (Edition 4th)
<b>OS Support</b>	
Android™ 8.1	
<b>Ordering Information</b>	
M1016	10.1" terminal with projected capacitive touchscreen, Wi-Fi and front camera



**Dimensions**



Unit:mm

**Optional Accessories**

PAC-M025W                      25W medical-grade AC/DC adapter kit



\*CTOS means *Configure-to-Order Service*. BTO means *Build-to-Order*.

## Assured Systems

Assured Systems is a leading technology company with over 1,500 regular clients in 80 countries, deploying over 85,000 systems to a diverse customer base in 12 years of business. We offer high-quality and innovative rugged computing, display, networking and data collection solutions to the embedded, industrial, and digital-out-of-home market sectors.

### US

[sales@assured-systems.com](mailto:sales@assured-systems.com)

Sales: +1 347 719 4508  
Support: +1 347 719 4508

1309 Coffeen Ave  
Ste 1200  
Sheridan  
WY 82801  
USA

### EMEA

[sales@assured-systems.com](mailto:sales@assured-systems.com)

Sales: +44 (0)1785 879 050  
Support: +44 (0)1785 879 050

Unit A5 Douglas Park  
Stone Business Park  
Stone  
ST15 0YJ  
United Kingdom

VAT Number: 120 9546 28  
Business Registration Number: 07699660