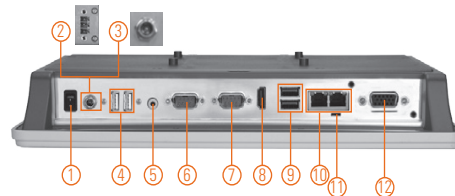


GOT5120T-845

12.1" XGA/SVGA TFT Fanless Touch Panel Computer with Intel® Celeron® Processor N3060

Features

- 12.1" XGA/SVGA TFT LCD display with LED backlight
- Fanless design with Intel® Celeron® processor N3060 (up to 2.48 GHz)
- 2.5" 7/9.5mm SATA HDD and mSATA with easy access design
- 2 GbE LAN, 4 USB, 2 COM and optional speakers
- IP65 front bezel design
- Supports optional panel mount/wall mount/VESA arm/desktop stand
- External AT/ATX mode selectable switch
- Supports RFID (optional)
- Adjust RS-232/422/485 setting via BIOS



- | | |
|--|--|
| 1. Power switch (ATX) | 7. 1 x RS-232 |
| 2. Terminal block for DC power input or | 8. HDMI |
| 3. Screw connector with AC power adapter | 9. 2 x USB 3.0 |
| 4. 2 x USB 2.0 | 10. 1 x RJ-45 |
| 5. Audio (Line-out) | 11. AT/ATX selectable switch |
| 6. 1 x RS-232/422/485 | 12. 8-bit DIO port (programmable, DB9) |



Introduction

The GOT5120T-845 is a 12.1" Intel® Celeron®-based fanless touch panel computer. In response to market demand, this panel computer is a cost effective solution. It adopts a modern, sleek and fanless design and is equipped with a 12.1" TFT LCD as well as Intel® Celeron® processor N3060 2 cores up to 2.48 GHz. For wireless network connection, the GOT5120T-845 offers 2 PCI Express Mini Card slots. By just plugging in a mini card WLAN card, customers can have instant access to wireless LAN/GPRS/GSM/4G environments. Besides, it provides two types of power input. One is DC power with terminal block connector, and another is AC power adapter with screw type connector.

Slim & Lightweight Design

The GOT5120T-845 is slim and lightweight which make it fit for limited space installation.

Built-in Internal WLAN Antenna

The GOT5120T-845 provides 2 PCI Express Mini Card slots and a built-in WLAN antenna for wireless network connections. By simply plugging in the wireless LAN card, customers can use the GOT5120T-845 in wireless LAN/GPRS/GPS/4G environment.

Aluminum Back Chassis with Excellent Thermal Solution

With Axiomtek's patent for plastic plus aluminum mechanism design, the GOT5120T-845 can dissipate the heat easily and keep stable operation of the system.

Specifications

Front Bezel	IP65, NEMA 4 rugged protection, plastic front bezel	
LCD Panel	Display Type	12.1" XGA/SVGA TFT LCD with LED backlight
	Brightness (cd/m ²)	500 nits (XGA) 450 nits (SVGA)
	Resolution	1024 x 768 (XGA) 800 x 600 (SVGA)
Main System	CPU	Intel® Celeron® processor N3060 2 cores (up to 2.48 GHz)
	System Memory	1 x 204-pin DDR3L-1600 MHz SO-DIMM, up to 8GB
	BIOS	AMI UEFI BIOS
	Storage	1 x 2.5" SATA HDD (9.5 mm) 1 x mSATA
	Watchdog Timer	255 levels, 0 - 255 sec.
	Onboard Graphics	Integrated Intel® HD GFX

Specifications

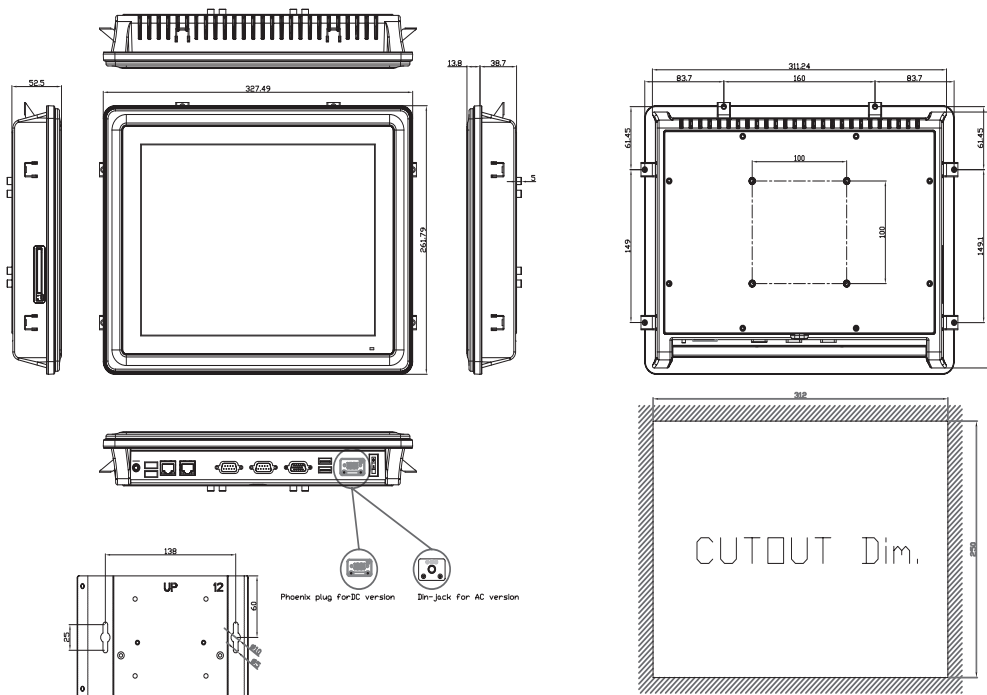
I/O Connector	1 x RS-232 1 x RS-232-422-485 (default RS-232) 1 x HDMI 1 x 8-bit DIO port (programmable, DB9) 1 x Switch for power on/off 1 x AT/ATX mode selection switch 2 x USB 2.0 2 x USB 3.0 1 x Audio (Line-out) 2 x 10/100/1000 Mbps Ethernet (Intel® i211-AT)
TPM	N/A
Expansion Interface	1 x Full-size PCI Express Mini Card slot with mSATA 1 x Full-size PCI Express Mini Card slot with SIM
Touchscreen	5-wire resistive touch
Power Supply	DC version: 24 VDC over current protection fuse (optional) AC version: 100 - 240VAC-DC, 60W power adapter
Power Consumption	34W
Dimensions	327.5 mm (12.9") (W) x 52.5 mm (2.07") (D) x 261.8 mm (10.3") (H)
Packing Dimensions	455 mm (17.91") (W) x 105 mm (4.13") (D) x 340 mm (13.39") (H)
Weight (net/gross)	2.48 kg (5.46 lb)/3.84 kg (8.46 lb)
Environment	Operating temperature: 0°C to +50°C (+32°F to +122°F) Relative humidity: 20% - 90% @ +40°C; non-condensing Operation vibration: 2G, 10 - 500Hz, random for SSD
Certificate	CE, FCC, UL60950-1

* W.T.: Wide Temperature. All W.T. supported products have to be sorted by Axiomtek.

Packing List

- 1 x GOT5120T-845
- 1 x Driver CD
- 1 x Adapter (GOT5120T-845-J)
- 1 x Power cord (GOT5120T-845-J)
- 1 x Phoenix connector (GOT5120T-845 24V DC)

Dimensions



Ordering Information

GOT5120T-845-J	12.1" SVGA fanless touch panel computer with Intel® Celeron® processor N3060, 5-wire resistive touch screen, AC-DC 60W power adapter (screw type connector) and EMI class A
GOT5120T-845-24VDC	12.1" SVGA fanless touch panel computer with Intel® Celeron® processor N3060, 5-wire resistive touch screen and 24 VDC power input (terminal block connector)
GOT5120T-845-XGA-J	12.1" XGA fanless touch panel computer with Intel® Celeron® processor N3060, 5-wire resistive touch screen, AC-DC 60W power adapter (screw type connector) and EMI class A
GOT5120T-845-XGA-24VDC	12.1" XGA fanless touch panel computer with Intel® Celeron® processor N3060, 5-wire resistive touch screen and 24 VDC power input (terminal block connector)

Optional

Wi-Fi + Bluetooth kit	
Speaker kit	
881251201A0E	Panel mount kit
881251202A0E	Wall mount kit
E226171106	Stand kit
881251203A0E	RFID kit

Optional EOS Installation

WES7
WE8S (64-bit)
Windows® 10 IoT Enterprise (64bit)

Optional OS Installation

Windows® 7
Windows® 8.1 (64-bit)
Windows® 10



Assured Systems

Assured Systems is a leading technology company with over 1,500 regular clients in 80 countries, deploying over 85,000 systems to a diverse customer base in 12 years of business. We offer high-quality and innovative rugged computing, display, networking and data collection solutions to the embedded, industrial, and digital-out-of-home market sectors.

US

sales@assured-systems.com

Sales: +1 347 719 4508
Support: +1 347 719 4508

1309 Coffeen Ave
Ste 1200
Sheridan
WY 82801
USA

EMEA

sales@assured-systems.com

Sales: +44 (0)1785 879 050
Support: +44 (0)1785 879 050

Unit A5 Douglas Park
Stone Business Park
Stone
ST15 0YJ
United Kingdom

VAT Number: 120 9546 28
Business Registration Number: 07699660