

GOT5152T-845

15" XGA TFT Fanless Touch Panel Computer with Intel® Celeron® Processor N3060

Features

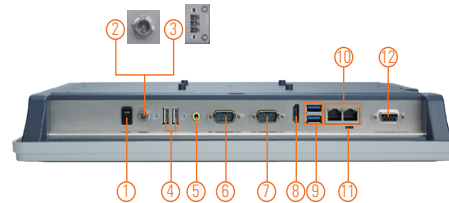
- 15" XGA TFT LCD display with LED backlight
- Fanless cooling system with Intel® Celeron® processor N3060
- WLAN module and internal antenna
- 2 GbE LAN, 4 USB and 2 COM
- PCI Express Mini Card slot for easy expansion
- Supports optional panel mount/wall mount/desktop stand
- Supports RFID (optional)
- Plastic and IP65-rated front bezel



▲ Side view



▲ Desktop stand



- | | | |
|------------------------------------|-----------------------|---------------------------------------|
| 1. Power switch (ATX) | 6. 1 x RS-232/422/485 | 11. AT/ATX selectable switch |
| 2. Power input connector (Screw) | 7. 1 x RS-232 | 12. 8 x DIO ports (programmable, DB9) |
| 3. Power input connector (Phoenix) | 8. HDMI | |
| 4. 2 x USB 2.0 | 9. 2 x USB 3.0 | |
| 5. Audio (Line-out) | 10. 2 x RJ-45 | |



Introduction

Axiomtek GOT5152T-845 utilizes the fanless technology with Intel® N3060 dual cores CPU. Running Windows or Linux, this panel system provides great performance for many commercial and industrial applications. This slim design incorporates a 15" 450 nits LCD display providing a bright XGA (1024 x 768) touch screen. Wireless communications is supported with a built-in antenna within the bezel, ready for your choice of optional PCI Express Mini Card. Besides, it provides two types of power input. One is DC power with terminal block connector, and another is AC power adapter with screw type connector. Using an all industrial-grade IP65 rated design, weighted 7 to 11 lbs (depending on configuration), this 15" fanless touch panel computer provides an attractive cost, low power, high performance, reliable quality, slim size and low weight, all new for more demanding applications.

Super Slim & Ultra Light Weight Design

The GOT5152T-845 is a super slim touch panel computer for space-limited environment with its thickness of 54.6 mm and weight of 3.2 kg only, which make it installed everywhere.

Built-in Internal WLAN Antenna

The GOT5152T-845 provides 2 PCI Express Mini Card slots and a built-in WLAN antenna for wireless network connections. By simply plugging in the wireless LAN cards, customers can use the GOT5152T-845 in a wireless LAN/GPRS/GSM/4G environments.

Aluminum Back Chassis with Excellent Thermal Solution

With Axiomtek's patent for plastic plus aluminum mechanism design, the GOT5152T-845 can dissipate the heat easily and keep the system operation stable.

Specifications

| | |
|-------------|---|
| Front Bezel | IP65, NEMA 4 rugged protection, plastic front bezel |
| LCD Panel | Display Type 15" XGA TFT LCD with LED backlight |
| | Brightness (cd/m ²) 450 nits |
| | Resolution 1024 x 768 |
| | Viewing Angel (H/V) 160°/140° |
| Main System | CPU Intel® Celeron® processor N3060 2 cores (up to 2.48 GHz) |
| | System Memory 1 x 204-pin DDR3L-1600 MHz SO-DIMM, up to 8GB |
| | BIOS AMI UEFI BIOS |
| | Storage 1 x 2.5" SATA HDD (9.5 mm) 1 x mSATA |
| | Watchdog Timer 255 levels, 0 - 255 sec. |
| | Onboard Graphics Integrated Intel® HD GFX |

Specifications

| | |
|---------------------|---|
| I/O Connector | 1 x RS-232 1 x RS-232-422-485 1 x HDMI 1 x 8-bit DIO port (programmable, DB9) 1 x Switch for power on/off 1 x AT/ATX mode selection switch 2 x USB 2.0 2 x USB 3.0 1 x Audio (Line-out) 2 x 10/100/1000 Mbps Ethernet (Intel® i211-AT) |
| TPM | N/A |
| Expansion Interface | 1 x Full-size PCI Express Mini Card with mSATA supported 1 x Full-size PCI Express Mini Card with SIM slot |
| Touchscreen | 5-wire resistive touch |
| Power Supply | DC version: 24 VDC over current protection fuse AC version: 100 - 240VAC-DC, 60W power adapter |
| Power Consumption | 32W |
| Dimensions | 387.9 mm (15.27") (W) x 54.6 mm (2.14") (D) x 307.7 mm (12.11") (H) |
| Packing Dimensions | 510 mm (20.08") (W) x 105 mm (4.13") (D) x 385 mm (15.16") (H) |
| Weight (net/gross) | 3.2 kg (7.05 lb)/5.1 kg (11.24 lb) |
| Environment | Operating temperature: 0°C to +50°C (+32°F to +122°F) Relative humidity: 20% - 90% @ +40°C; non-condensing Operation vibration: 2G, 10 - 500Hz, random for SS |
| Certificate | CE, FCC, UL60950-1 |

* W.T.: Wide Temperature. All W.T. supported products have to be sorted by Axiomtek.

Packing List

- 1 x GOT5152T-845
- 1 x Driver CD
- 1 x Adapter (GOT5152T-845-J)
- 1 x Power cord (GOT5152T-845-J)
- 1 x Phoenix connector (GOT5152T-845 24V DC)

Ordering Information

| | |
|--------------------|---|
| GOT5152T-845 24VDC | 15" XGA fanless touch panel computer with Intel® Celeron® processor N3060, 5-wire resistive touch screen and 24 VDC power input (terminal block connector) |
| GOT5152T-845 J | 15" XGA fanless touch panel computer with Intel® Celeron® processor N3060, 5-wire resistive touch screen, AC-DC 60W power adapter (screw type connector), and EMI class B |

Optional

| | |
|-----------------------|-----------------|
| Wi-Fi + Bluetooth kit | |
| Speaker kit | |
| 881251520A0E | Panel mount kit |
| 881251521A0E | Wall mount kit |
| E226171106 | Stand kit |
| 881251203A0E | RFID kit |

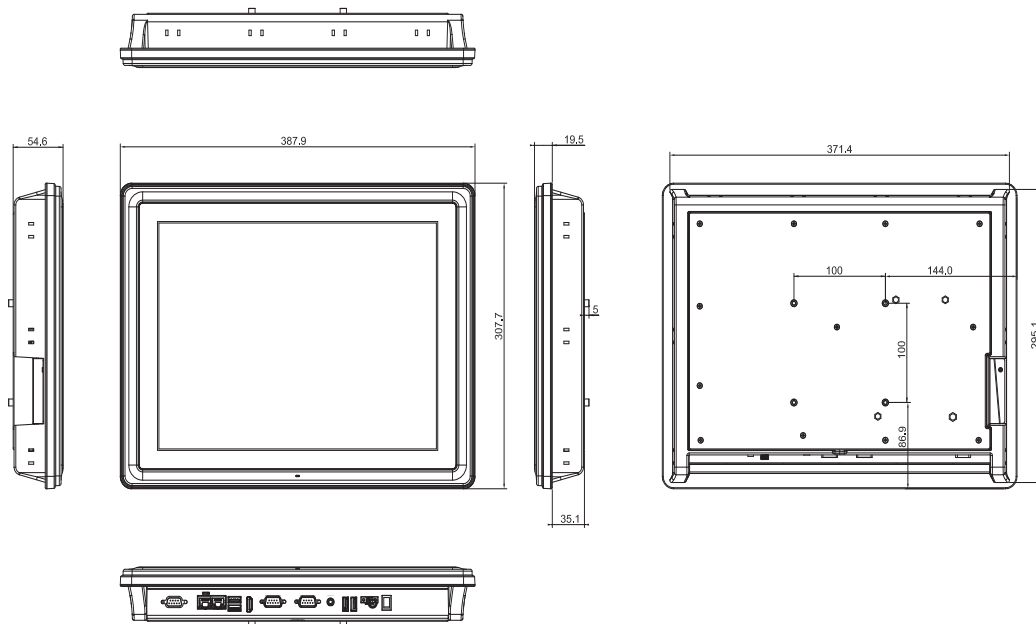
Optional EOS Installation

| |
|-------------------------------------|
| WES7 |
| WES8 (64-bit) |
| Windows® 10 IoT Enterprise (64-bit) |

Optional OS Installation

| |
|-----------------------|
| Windows® 7 |
| Windows® 8.1 (64-bit) |
| Windows® 10 |

Dimensions



Assured Systems

Assured Systems is a leading technology company with over 1,500 regular clients in 80 countries, deploying over 85,000 systems to a diverse customer base in 12 years of business. We offer high-quality and innovative rugged computing, display, networking and data collection solutions to the embedded, industrial, and digital-out-of-home market sectors.

US

sales@assured-systems.com

Sales: +1 347 719 4508
Support: +1 347 719 4508

1309 Coffeen Ave
Ste 1200
Sheridan
WY 82801
USA

EMEA

sales@assured-systems.com

Sales: +44 (0)1785 879 050
Support: +44 (0)1785 879 050

Unit A5 Douglas Park
Stone Business Park
Stone
ST15 0YJ
United Kingdom

VAT Number: 120 9546 28
Business Registration Number: 07699660