

# IPPC 1850P

18.5" TFT HD 16:9 Heavy Industrial Panel PC  
with Intel® Celeron® J3455 Processor, 1.50GHz  
Multi-Touch Screen, 4GB DDR3L, 4 x USB, 3 x COM



## Main Features

- Intel® Celeron® J3455 processors , 1.50GHz
- Metal housing with robust aluminum front zero bezel for harsh environment
- 10 points P-Cap multi-touch with zero bezel flush front design
- Dual GbE/Dual DisplayPort/Dual USB 3.0 & USB 2.0
- 1 x mini-PCIe sockets, 1 x M.2, 1 x RS232/422/485
- DDR3L 4GB/2.5" HDD bracket
- IP66 compliant front panel
- Mounting support: panel/wall/stand/VESA 100mm x 100mm
- DC power input 24VDC

## Product Overview

The 18.5" fanless panel PC IPPC 1850P incorporating an industrial motherboard is intended for versatile industrial applications. The panel PC has a touch screen LED backlight LCD panel with 1366 x 768 (FWXGA) resolution. The front panel which adopts flush design and complies with IP66 standard makes it the perfect fit in industrial applications.

The IPPC 1850P supports WLAN expansion and others via dual Gigabit Ethernet connectors, one mini-PCIe slot and one M.2 slot. With support for DC power input of 24VDC, IPPC 1850P can gain a strong foothold in industrial field and machine devices. In addition, IPPC 1850P can hook 2nd display via a DisplayPort for dual independent display. IPPC 1850P has one adjustable RS232/422/485 ports.

## Specifications

### Panel

- LCD size: 18.5", 16:9
- Resolution: FWXGA 1366 x 768
- Luminance: 400cd/m2
- Contrast ratio: 1000
- LCD color: 16.7M
- Viewing angle: 80(U), 80(D), 85(L), 85(R)
- Backlight: LED

### Touch

- Ten points P-Cap (projected capacitive touch)
- Touch light transmission: 87%
- Anti-scratch surface: 7H hardness
- Touch interface: USB

### System

- CPU: onboard Intel® Celeron® J3455 Quad Core processor, 1.50GHz
- BIOS: AMI BIOS
- System memory: 1 x 204-pin DDR3L SO-DIMM socket, 4GB DDR3L (default), support up to 8GB DDR3L-1866, non-ECC and un-buffered

- Storage device:
  - 1 x Internal M.2 2242
  - 1 x Hard drive bay: optional 1 x 2.5" SATA HDD
- Watchdog timer: Watchdog timeout can be programmable by software from 1 second to 255 seconds and from 1 minute to 255 minutes (tolerance 15% under room temperature 25°C)
- Expansion: 1 x mini-PCIe sockets (support optional Wi-Fi module)
- Front LED indicator to show operating status

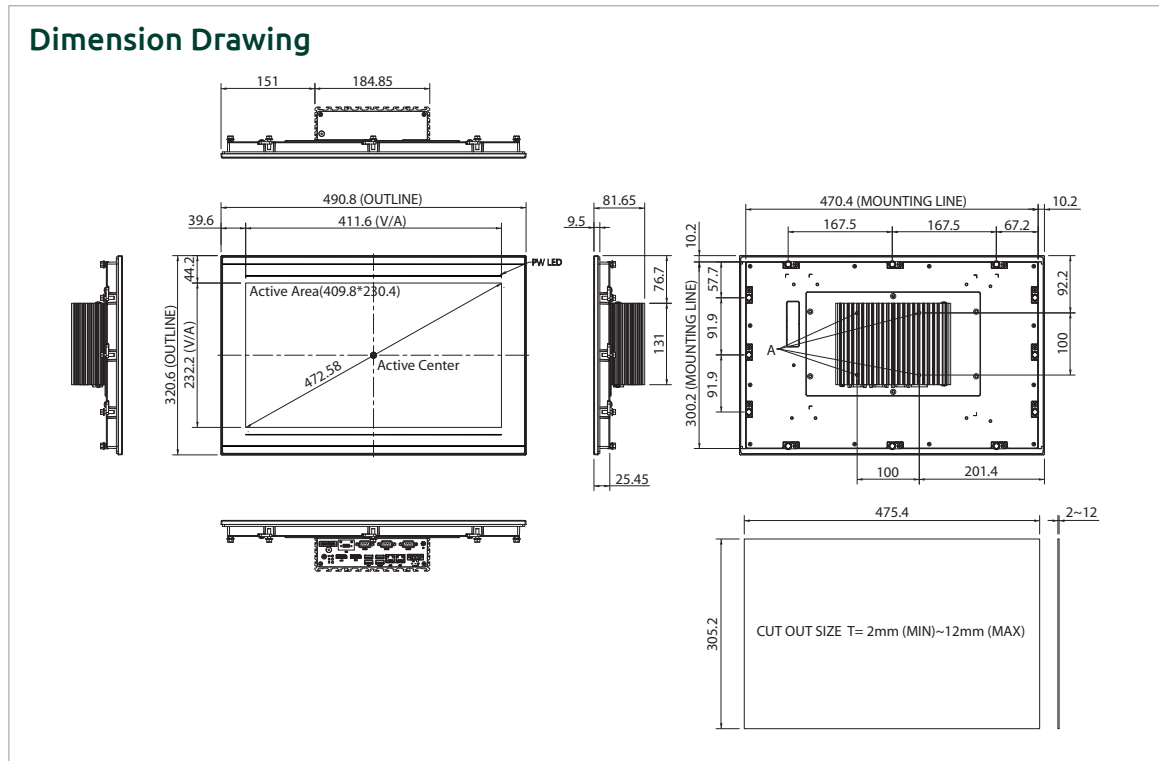
### Rear I/O

- Ethernet: 2 x RJ45
- Display: 2 x DP1.2
- USB: 2 x USB 2.0, 2 x USB 3.0
- LED indicator: Power/HDD/ GPIO programmable LED
- Power button
- COM #3: RS232/422/485
- COM #1&2: RS232

### Ethernet

- LAN chip: dual Intel® I210-IT Gigabit LAN
- Ethernet interface: 10/100/1000 based-Tx Ethernet compatible

www.nexaiot.com



#### Mechanical & Environment

- Color: Pantone black silver front bezel
- IP protection: IP66 front
- Mounting: panel/wall/stand/VESA 100mm x 100mm
- System with panel mounting kit w/o panel mounting hole
- Power:
  - Power input: 24 VDC
  - Power adapter: optional AC to DC power adapter (+24V, 60W)
- Vibration:
  - IEC 68 2-64 (w/ HDD)
  - 1Grms @ sine, 5~500Hz, 1hr/axis (HDD operating)
  - 2.2Grms @ random condition, 5~500Hz, 0.5hr/axis (non-operating)
- Shock:
  - IEC 68 2-27
  - HDD: 20G@wall mount, half sine, 11ms
- Temperature:
  - Operating temperature: 0°C to 50°C
  - Storage temperature: -20°C to 75°C
- Operating humidity: 10%~90% relative humidity, non-condensing
- Dimension: 490.8 x 320.6 x 81.65 mm
- Weight: 8.1 kg

#### Certifications

- CE (including EN61000-6-2/EN61000-6-4)
- FCC class A

#### OS Support Lists

- Windows 10 64-bit

### Ordering Information

#### Barebone

- **IPPC1850P (P/N: 10I1850P00X0)**  
18.5" HD LED backlight touch panel PC, Intel® Celeron® J3455, Quad Core Processor, 1.50GHz, touch screen, 4GB DDR3L, 1 x RS232/422/485

#### Options

- **24V, 60W AC/DC power adapter w/o power cord (P/N: 7400060047X00)**

## Assured Systems

Assured Systems is a leading technology company with over 1,500 regular clients in 80 countries, deploying over 85,000 systems to a diverse customer base in 12 years of business. We offer high-quality and innovative rugged computing, display, networking and data collection solutions to the embedded, industrial, and digital-out-of-home market sectors.

### US

[sales@assured-systems.com](mailto:sales@assured-systems.com)

Sales: +1 347 719 4508  
Support: +1 347 719 4508

1309 Coffeen Ave  
Ste 1200  
Sheridan  
WY 82801  
USA

### EMEA

[sales@assured-systems.com](mailto:sales@assured-systems.com)

Sales: +44 (0)1785 879 050  
Support: +44 (0)1785 879 050

Unit A5 Douglas Park  
Stone Business Park  
Stone  
ST15 0YJ  
United Kingdom

VAT Number: 120 9546 28  
Business Registration Number: 07699660