

GOT5100T-845

10.4" XGA/SVGA TFT Fanless Touch Panel Computer with Intel® Celeron® Processor N3060

Features

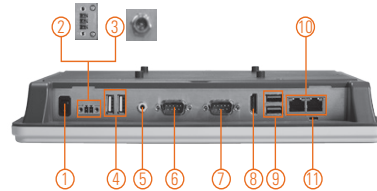
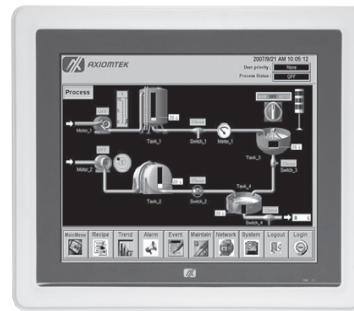
- 10.4" XGA/SVGA TFT LCD display with LED backlight
- Fanless design with Intel® Celeron® processor N3060
- 2 GbE LAN, 4 USB and 2 COM
- Plastic and IP65-rated front bezel
- Supports RFID (optional)
- External AT/ATX mode selection switch
- Easy access storage design
- Supports optional panel mount/wall mount/VESA arm/desktop stand
- Adjust RS-232/422/485 setting via BIOS



▲ Side view



▲ Desktop stand



- | | |
|--|------------------------------|
| 1. Power switch (ATX) | 6. 1 x RS-232/422/485 |
| 2. Terminal block for DC power input | 7. 1 x RS-232 |
| or | 8. HDMI |
| 3. Screw connector with AC power adapter | 9. 2 x USB 3.0 |
| 4. 2 x USB 2.0 | 10. 2 x RJ-45 |
| 5. Audio (Line-out) | 11. AT/ATX selectable switch |



Introduction

The GOT5100T-845 is a 10.4" Intel® Celeron®-based fanless touch panel computer. In response to market demand, this panel computer is a cost effective solution. It adopts a modern, super sleek and fanless design and is equipped with a 10.4" TFT LCD as well as Intel® Celeron® processor N3060 dual core up to 2.48 GHz. For wireless network connection, the GOT5100T-845 offers 2 PCI Express Mini Card slots. By just plugging in the mini card WLAN card, customers can have instant access to wireless LAN/GPRS/GSM/4G environments. Besides, it provides two types of power input. One is DC power with terminal block connector, and another is AC power adapter with screw type connector.

Super Slim & Ultra Lightweight Design

The GOT5100T-845 is a super slim touch panel computer for space-limited environment with its thickness of 45.8 mm and weight of 1.8 kg only, which make it installed everywhere.

Built-in Internal WLAN Antenna

The GOT5100T-845 provides 2 PCI Express Mini Card slots and a built-in WLAN antenna for wireless network connections. By simply plugging in the wireless LAN card, customers can use the GOT5100T-845 in a wireless LAN/GPRS/GSM/4G environments.

Aluminum Back Chassis with Excellent Thermal Solution

With Axiomtek's patent for plastic plus aluminum mechanism design, the GOT5100T-845 can dissipate the heat easily and keep the system operation stable.

Specifications

Front Bezel	IP65, NEMA 4 rugged protection, plastic front bezel	
LCD Panel	Display Type	10.4" XGA/SVGA TFT LCD with LED backlight
	Brightness (cd/m ²)	350 nits (XGA) 400 nits (SVGA)
	Resolution	1024 x 768 (XGA) 800 x 600 (SVGA)
	Viewing Angel (H/V)	140°/120°
Main System	CPU	Intel® Celeron® processor N3060 2 cores (up to 2.48 GHz)
	System Memory	1 x 204-pin DDR3L-1600 MHz SO-DIMM, up to 8GB
	BIOS	AMI UEFI BIOS
	Storage	1 x 2.5" SATA HDD (9.5 mm) 1 x mSATA
	Watchdog Timer	255 levels, 0 to 255 sec.
	Onboard Graphics	Integrated in Intel® GFX

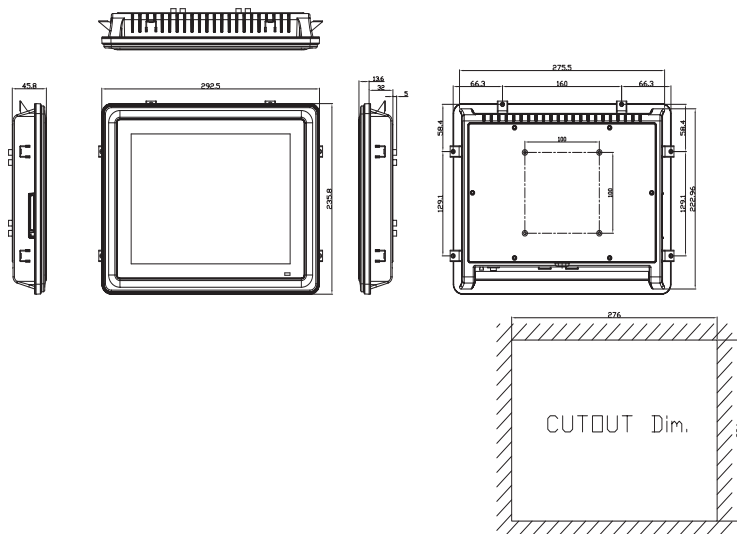
Specifications

I/O Connector	1 x RS-232 1 x RS-232/422/485 (default RS-232) 1 x HDMI 1 x Switch for power on/off 1 x AT/ATX mode selection switch 2 x USB 2.0 2 x USB 3.0 1 x Audio (Line-out) 2 x 10/100/1000 Mbps Ethernet (Intel® i211-AT)
TPM	N/A
Expansion Interface	1 x Full-size PCI Express Mini Card slot with mSATA 1 x Full-size PCI Express Mini Card slot with SIM
Touchscreen	Resistive type
Power Supply	AC version: 100 - 240VAC-DC, 60W power adapter or DC version: 24 VDC with over current protection fuse
Power Consumption	32W
Dimensions	292.5 mm (11.52") (W) x 45.8 mm (1.80") (D) x 235.8 mm (9.28") (H)
Packing Dimensions	415 mm (16.34") (W) x 100 mm (3.94") (D) x 315 mm (12.4") (H)
Weight (net/gross)	1.8 kg (3.96 lb)/3 kg (6.61 lb)
Environment	Operating temperature: 0°C to +50°C (+32°F to +122°F) (with W.T. DRAM/HDD in airflow condition) 0°C to +45°C (+32°F to +113°F) (with W.T. DRAM/HDD) Relative humidity: 20% - 90% @ +40°C; non-condensing Operation vibration: 2G, 5 - 500Hz, random for SSD
Certificate	CE, FCC, UL60950-1

Packing List

- 1 x GOT5100T-845
- 1 x Driver CD
- 1 x Adapter (GOT5100T-845-J)
- 1 x Power cord (GOT5100T-845-J)
- 1 x Phoenix connector (GOT5100T-845 24V DC)

Dimensions



Ordering Information

GOT5100T-845-J	10.4" SVGA fanless touch panel computer with Intel® Celeron® processor N3060, 5-wire resistive touch screen, AC-DC 60W power adapter (screw type connector) and EMI class A
GOT5100T-845-24VDC	10.4" SVGA fanless touch panel computer with Intel® Celeron® processor N3060, 5-wire resistive touch screen and 24 VDC power input (terminal block connector)
GOT5100T-845-XGA-J	10.4" XGA fanless touch panel computer with Intel® Celeron® processor N3060, 5-wire resistive touch screen, AC-DC 60W power adapter (screw type connector) and EMI class A
GOT5100T-845-XGA-24VDC	10.4" XGA fanless touch panel computer with Intel® Celeron® processor N3060, 5-wire resistive touch screen and 24 VDC power input (terminal block connector)

Optional

Wi-Fi + Bluetooth kit	
Speaker kit	
881281021A0E	Panel mount kit
881251001A0E	Wall mount kit
E226171106	Stand kit
881251203A0E	RFID kit

* Specification and certifications are based on requirements and may vary.

Optional EOS Installation

- WES 7
- WE8S (64-bit)
- Windows® 10 IoT Enterprise (64bit)

Optional OS Installation

- Windows® 7
- Windows® 8.1 (64-bit)
- Windows® 10



Assured Systems

Assured Systems is a leading technology company with over 1,500 regular clients in 80 countries, deploying over 85,000 systems to a diverse customer base in 12 years of business. We offer high-quality and innovative rugged computing, display, networking and data collection solutions to the embedded, industrial, and digital-out-of-home market sectors.

US

sales@assured-systems.com

Sales: +1 347 719 4508
Support: +1 347 719 4508

1309 Coffeen Ave
Ste 1200
Sheridan
WY 82801
USA

EMEA

sales@assured-systems.com

Sales: +44 (0)1785 879 050
Support: +44 (0)1785 879 050

Unit A5 Douglas Park
Stone Business Park
Stone
ST15 0YJ
United Kingdom

VAT Number: 120 9546 28
Business Registration Number: 07699660