

ViTAM-817P/R/G(H)

17" IP66 / IP69K Stainless Steel Panel PC

Industrial Panel PC

HMI Controller

Industrial Display Monitor

Box PC



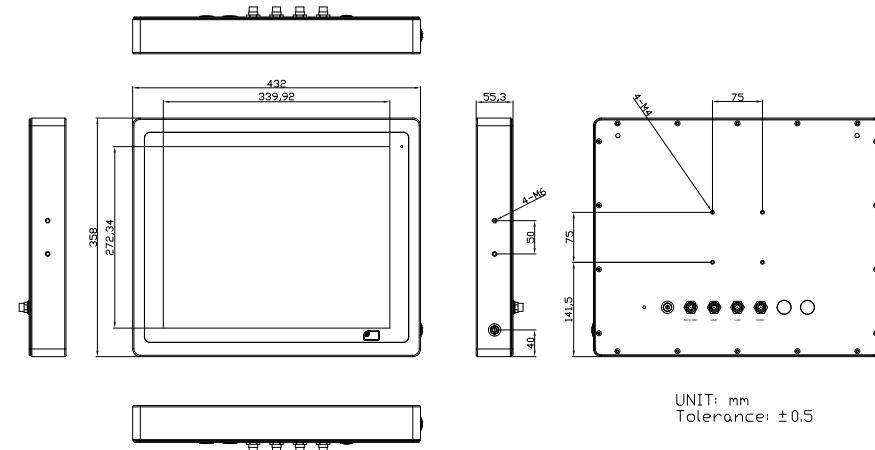
Features

- 17" New Generation Stainless Steel Panel PC
- Intel Celeron N2930 1.83GHz Onboard Processor
- True Flat Front Bezel Design and Grade 304 Stainless Steel Enclosure (Grade 316 for Option)
- IP66/IP69K Rated with M12 Connectors
- Support Resistive Touch, Projected Capacitive Touch, and Glass
- Touch on/off Button on the Side Edge for Hygienic Cleaning
- Support Ergonomic Versatile Mounting: Yoke Mounting / Space-saving VESA 75 x 75 mm Mounting

Specifications

System	
CPU	Celeron N2930 Processor(2M Cache,1.83GHz)
System Chipset	SoC
Memory	Onboard 4GB DDR3L SDRAM , up to 8GB(option)
IO Port	
USB	1 x M12 8-pin for USB 2.0 with waterproof cover and chain
Serial / Parallel	1 x M12 8-pin COM1, RS-232/422/485, default RS-232, with waterproof cover and chain
LAN	1 x M12 8-pin for LAN with waterproof cover and chain
Others	1 x Touch on/off button at the side
Power Connector	1 x M12 3-pin for DC power with waterproof cover and chain 1 x Power switch on the rear
Option	2 x optional blank M12 connector with waterproof cover and chain for selecting two from the following options: 2 x USB 2.0 1 x USB 3.0 1 x LAN (POE for option) 1 x COM 1 x CAN
Storage Space	
HDD	1 x 2.5" SATA3 HDD
Expansion	
Expansion slot	1 x Full-size mini-PCIe socket (PCIe + USB) for WIFI/BT/LTE(optional)
RFID module	RFID module design on the front side(optional)
Display	
Display Type	Standard: 17" TFT-LCD High Brightness Optional: 17" TFT-LCD
Max. Resolution	Standard: 1280 x 1024 High Brightness Optional: 1280 x 1024
Max. Color	Standard: 16.7M High Brightness Optional: 16.7M
Luminance (cd/m ²)	Standard: 350 High Brightness Optional: 1000
View Angle	Standard: 160(H)/140(V) High Brightness Optional: 170(H)/160(V)
Contrast	Standard: 800:1 High Brightness Optional: 800:1
Backlight Lifetime	Standard: 50,000 hrs High Brightness Optional: 50,000 hrs
Touch Screen	
Type	Resistive Touch (For R model) Projected Capacitive Touch (For P model) Glass (For G model)
Interface	USB
Light Transmission(%)	Resistive Touch : 80% Projected Capacitive : 90%
Power	
Power Input	DC 9~36V
Power Consumption	ViTAM-817P:29W

Dimensions



UNIT: mm
Tolerance: ±0.5

Mechanical	
Construction	304 Stainless steel chassis(default), 316 Stainless steel chassis(optional)
Mounting	VESA mount 75 x 75, Yoke mount for optional
IP Rating	Total IP66/IP69K
Dimensions	432 x 358 x 55 mm
Net Weight	7.1 kg
Environmental	
Operating Temperature	0~50°C
Storage Temperature	-30~70°C
Humidity	10 to 95% @ 40°C, non- condensing
Certificate	CE/FCC Class A
Operating System Support	
Windows Embedded 7, Windows Embedded 8.1, Windows 10 IoT ENT LTSB	
Ordering Information	
ViTAM-817P	17" SXGA IP66/IP69K stainless steel panel pc, Celeron N2930 Processor, 4GB DDR3L RAM, 32G MLC SSD, projected capacitive touch, 9~36V DC power input with Adapter
ViTAM-817R	17" SXGA IP66/IP69K stainless steel panel pc, Celeron N2930 Processor, 4GB DDR3L RAM, 32G MLC SSD, 5 wire resistive touch window, 9~36V DC power input with Adapter
ViTAM-817G	17" SXGA IP66/IP69K stainless steel panel pc, Celeron N2930 Processor, 4GB DDR3L RAM, 32G MLC SSD, protection glass, 9~36V DC power input with Adapter
ViTAM-817PH	17" SXGA IP66/IP69K stainless steel panel pc, Celeron N2930 Processor, 4GB DDR3L RAM, 32G MLC SSD, 5 wire resistive touch window, 9~36V DC power input with Adapter, 1,000 nits LCD
ViTAM-817RH	17" SXGA IP66/IP69K stainless steel panel pc, Celeron N2930 Processor, 4GB DDR3L RAM, 32G MLC SSD, 5 wire resistive touch window, 9~36V DC power input with Adapter, 1,000 nits LCD
ViTAM-817GH	17" SXGA IP66/IP69K stainless steel panel pc, Celeron N2930 Processor, 4GB DDR3L RAM, 32G MLC SSD, protection glass, 9~36V DC power input with Adapter, 1,000 nits LCD

Assured Systems

Assured Systems is a leading technology company with over 1,500 regular clients in 80 countries, deploying over 85,000 systems to a diverse customer base in 12 years of business. We offer high-quality and innovative rugged computing, display, networking and data collection solutions to the embedded, industrial, and digital-out-of-home market sectors.

US

sales@assured-systems.com

Sales: +1 347 719 4508
Support: +1 347 719 4508

1309 Coffeen Ave
Ste 1200
Sheridan
WY 82801
USA

EMEA

sales@assured-systems.com

Sales: +44 (0)1785 879 050
Support: +44 (0)1785 879 050

Unit A5 Douglas Park
Stone Business Park
Stone
ST15 0YJ
United Kingdom

VAT Number: 120 9546 28
Business Registration Number: 07699660