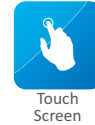


IPPS-21.5" Narrow Bezel Series

21.5" IP65 P-CAP Panel PC



- 21.5" LCD, 1920 x 1080 pixel
- 10 points P-CAP touch screen
- Front IP 65
- True Flat Design
- Fanless Design

Product Specification

System color	Silver or dark grey	
Mechanical	Heavy-duty steel	
	IPPS-2152	IPPS-2118
Display	Wide 21.5" Full HD TFT LCD	
Display type	476.6(H) x 268.1(V) mm	
Display area (mm)	16:9	
Aspect ratio	1920 x 1080 pixel	
Resolution	250 cd/m ²	1600 cd/m ²
Luminance/Brightness	16.7M	16.7M
Color	72%	84%
Color saturation (NTSC)	0.24825mm x 0.24825mm	
Pixel pitch (H/V)	3000 : 1 (typ.)	900 : 1 (typ.)
Contrast ratio	18ms	5ms
Response time (Typical)	178°/178° (typ.)	170°/160° (typ.)
Viewing angle (H/V)	30,000 hrs (typ.)	100,000 hrs (typ.)
Backlight MTBF	P-CAP 10 points touch screen	
Touch screen type	15.2W	36W
LCD Power consumption	Environment	
Environment	Front IP65	
IP level	0°C ~ 50°C (-20°C optional)	
Operating temperature	-20°C ~ 60°C	
Storage temperature	0% ~ 90% (non-condensing)	
Relative humidity	563.4mm(W) x 33mm(D) x 354.9mm(H)	
Dimensions(w/o BOX PC)	5.7 kg	
Weight(w/o BOX PC)		

Optional

Power cord	US/EUR/UK/JP
Power adapter	90~264VAC.60W ADAPTER (VL22002000AH)

Mix and Match with

B Type



C Type



D Type

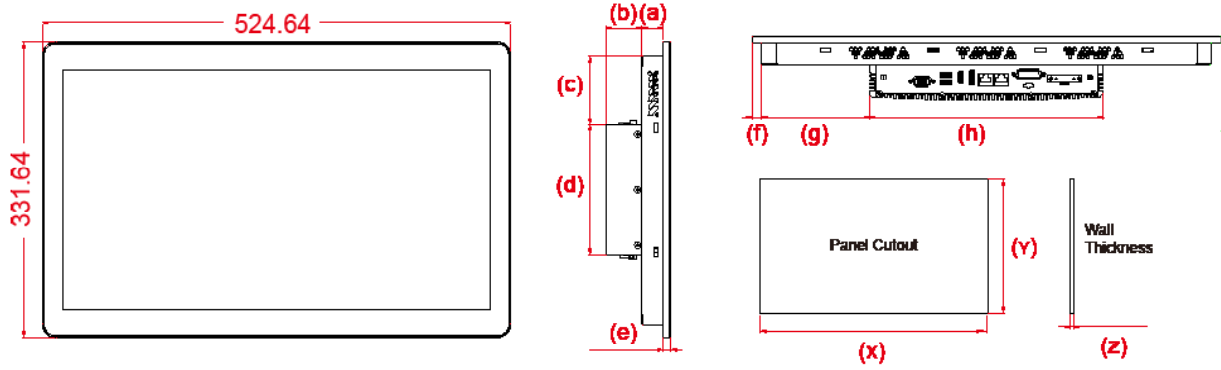


E Type





Dimensions



	Dimensions (mm)								Cut Size (mm)			
	(a)	(b)	(c)	(d)	(e)	(f)	(g)	(h)	(X)	(Y)	(Z Min.)	(Z Max.)
B Type	31.8	35	74.1	117.7	8	18.1	89.4	169	519.5	315.3	1	3
C Type	31.8	49.8	72.9	123.2	8	18.1	84.9	178				
D Type	31.8	44.5	62.5	146	8	18.1	43.4	261				
E Type	31.8	63.9	60.1	146	8	18.1	43.9	260				

Ordering Information

IBox Type	System Type	Panel Type	Form Platform	Chassis Type	*CPU ID	Accessory serial number
B Type	: IPPS	- 2152 / 2118 -	BYT 1	BPNO -	1~3	000
			BSW 1		1~4	
			APL 7		1~5	
			SKL 2		1~4	
					1~4	
C Type	: IPPS	- 2152 / 2118 -	BYT 1	CPNO -	1~3	000
			BSW 1		1~4	
			APL 7		1~5	
			SKL 2		1~4	
					1~4	
D Type	: IPPS	- 2152 / 2118 -	BYT 1	DPNO -	1~3	000
			BSW 1		1~4	
			APL 7		1~5	
			SKL 2		1~4	
					1~4	
E Type	: IPPS	- 2152 / 2118 -	SKL 2	EPNO -	1~3	000
			HSW 1		1~2	

B Type : IPPS-2152-BYT1-BPNO-1000
 ↑
 Modular Panel PC
 Mix and Match Yourself
 ↓
 E Type : IPPS-2118-HSW2-EPNO-2000

*CPU ID	BYT1	BSW1	SKL2	HSW1	APL7
1	E3825	N3010	3955	i3-4102E	E3930
2	E3845	N3060	i3-6100	i5-4402E	E3940
3	J1900	N3160	i5-6300		E3950
4		N3710	i7-6600		N3350
5					N4200

Assured Systems

Assured Systems is a leading technology company with over 1,500 regular clients in 80 countries, deploying over 85,000 systems to a diverse customer base in 12 years of business. We offer high-quality and innovative rugged computing, display, networking and data collection solutions to the embedded, industrial, and digital-out-of-home market sectors.

US

sales@assured-systems.com

Sales: +1 347 719 4508
Support: +1 347 719 4508

1309 Coffeen Ave
Ste 1200
Sheridan
WY 82801
USA

EMEA

sales@assured-systems.com

Sales: +44 (0)1785 879 050
Support: +44 (0)1785 879 050

Unit A5 Douglas Park
Stone Business Park
Stone
ST15 0YJ
United Kingdom

VAT Number: 120 9546 28
Business Registration Number: 07699660