

W24IT3S-RKS1ML

24" Intel® Core™ i5-1135G7 Defence Console Rack Panel PCs



KEY FEATURES

- 24" 1920 x 1200 High Resolution TFT LCD, Defence Console Rack Panel PCs
- Intel® Core™ i5-1135G7 2.4 GHz (turbo to 4.2GHz) Processor
- Anti-Corrosion Housing / Fanless
- Compliant with MIL-STD-810G/F , MIL-STD-461E/F
- Flush Rack / Rack Mount Mechanical Design (9U)
- Convenient On-Screen Display Controls
- AC 110~240 V Power input default
- Isolation DC 9~36 V Power input (Optional)
- Built-in Light Sensor for auto brightness control
- Defence Grade Power Connector (MIL-DTL-38999/1)

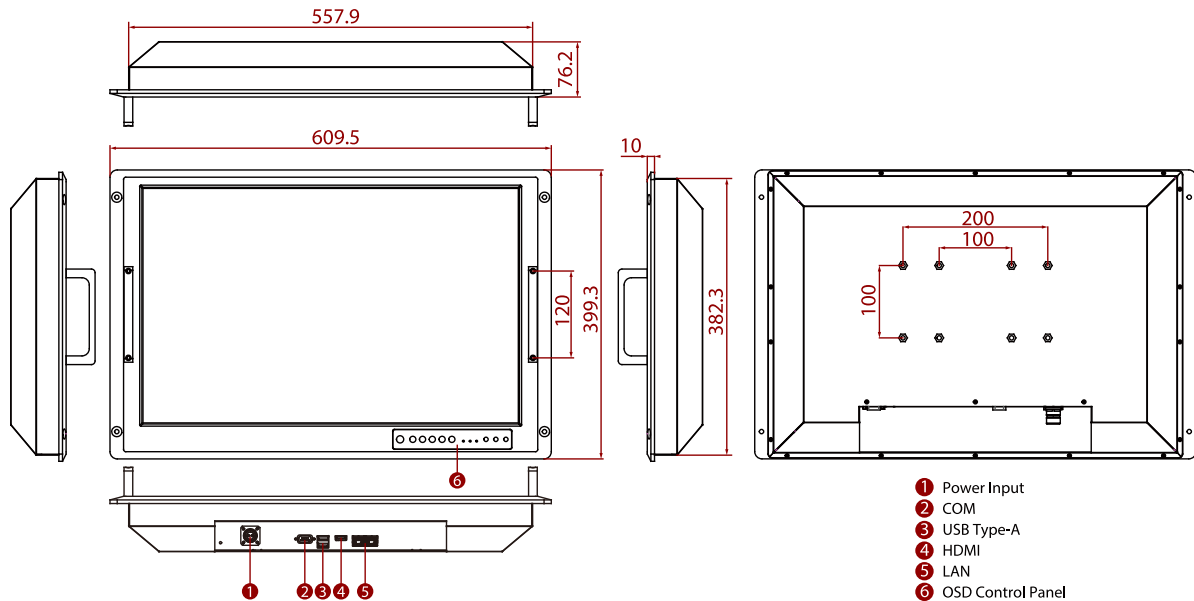


SPECIFICATIONS

| Display | | | |
|----------------------------|---|------------------------------|---|
| Resolution | 1920x1200 | Size | 24 inches |
| Contrast Ratio | 1000:1 | Panel Brightness | 300 nits |
| View Angles | 89,89,89,89 | Active Area | 518.4x324.0 mm |
| Touch / Glass | AR Protection Glass 5 Wires Resistive Touch (Optional) 5 Wire Resistive with EMI Mesh Filter (Optional) EMI Glass (Optional) | | |
| System Specification | | | |
| Processor | Intel Core i5-1135G7 2.4GHz (up to 4.2GHz) Intel Core i5-1145G7 2.6GHz (up to 4.4GHz) (Optional) | Memory | 1 x SO-DIMM, DDR4 3200 MHz, 4GB 8GB (Optional) 16GB (Optional) 32GB (Optional) |
| Storage | 1 x M.2 M-Key 2242 SATA SSD or 1 x M.2 M-Key 2280 NVMe SSD 128GB 256GB (Optional) 512GB (Optional) 1TB (for NVMe) (Optional) 2TB (for NVMe) (Optional) 4TB (for NVMe) (Optional) 1 x SATA III , up to 2TB (Optional) | Ethernet controller | 2 x Intel® Ethernet Controller |
| Security | TPM 2.0 | Operating System | Windows 11 IoT Enterprise SAC (64 bit) (Optional) Windows 10 IoT Enterprise (64 bit) (Optional) Linux Ubuntu 22.04 (Optional) |
| Environment | | | |
| Operating Humidity | 10% to 95% RH | Operating Temperature | 0~50°C |
| Storage Temperature | -10°C~60°C | | |
| Compliance | | | |
| MIL-STD 461E/F | RE101 / RE102 CE101 / CE102 with EMI Glass / Touch(Optional) RS101 / RS 103 | MIL-STD 810F/G | Vibration Method 514.5 Humidity Method 507.4 Transit Drop Method 516.5 |

| | | | |
|--|--|-----------------------|---|
| CS101 / CS 106 / CS 109 / CS 114 / CS 115 / CS 116 | | | |
| Certification | | | |
| Certification | CE, FCC | | |
| Mechanical | | | |
| Dimension | 609.5 x 399.3 x 76.2 mm | Mounting | Rack Mount / Panel Mount / VESA Mount |
| Enclosure | Metal Housing with Aluminum Bezel | Cooling System | Fanless Design |
| IO Ports | | | |
| USB Port | 2 x USB 3.0 | Serial Port | 1 x RS232/422/485 (Default RS232) 1 x RS232 (Optional) |
| Video | 1 x HDMI (Optional) | LAN | 2 x RJ45 |
| Accessory | | | |
| Accessory | User Manual (Hardcopy) CD-ROM with Driver Utility Power Cord MIL-DTL-38999/1 | | |
| Power | | | |
| Power Rating | AC 100~240V, Universal, ±10% DC 9~36V, ±10% (Optional) | | |
| Control | | | |
| Button | 8 Key OSD Control Pad: Power, Brightness DOWN, Brightness UP, Night, Day, Auto / Manual, Reset, Lock | | |

DIMENSIONS UNIT:MM



NOTE

1. This is a simplified drawing and some components are not marked in detail.
2. Please contact our sales representative if you need further product information.
3. All specifications are subject to change without prior notice.
4. The product shown in this datasheet is a standard model. For diagrams that contain customized or optional I/O, please contact the Winmate Sales Team for more information.

Assured Systems

Assured Systems is a leading technology company with over 1,500 regular clients in 80 countries, deploying over 85,000 systems to a diverse customer base in 12 years of business. We offer high-quality and innovative rugged computing, display, networking and data collection solutions to the embedded, industrial, and digital-out-of-home market sectors.

US

sales@assured-systems.com

Sales: +1 347 719 4508
Support: +1 347 719 4508

1309 Coffeen Ave
Ste 1200
Sheridan
WY 82801
USA

EMEA

sales@assured-systems.com

Sales: +44 (0)1785 879 050
Support: +44 (0)1785 879 050

Unit A5 Douglas Park
Stone Business Park
Stone
ST15 0YJ
United Kingdom

VAT Number: 120 9546 28
Business Registration Number: 07699660