

MPC102-845

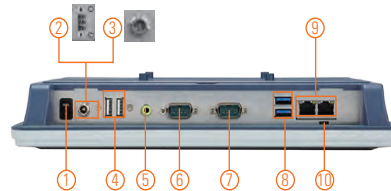
10.4" XGA TFT Fanless Medical Grade Touch Panel Computer with Intel® Celeron® Processor N3060

Features

- 10.4" XGA TFT LCD display with LED backlight
- Fanless design with Intel® Celeron® processor N3060
- 2 GbE LANs, 4 USB and 2 COM
- Plastic and IP65-rated front bezel
- Supports RFID (optional)
- External AT/ATX mode selection switch
- Easy access storage design
- Supports panel mount, wall mount, VESA arm and desktop stand
- 4th EN 60601-1 (ESD contact 8KV, air 15KV), CE and FCC certified



▲ Side view



- | | |
|------------------------------------|------------------------------|
| 1. Power switch (ATX) | 6. 1 x RS-232/422/485 |
| 2. Power input connector (Screw) | 7. 1 x RS-232 |
| 3. Power input connector (Phoenix) | 8. 2 x USB 3.0 |
| 4. 2 x USB 2.0 | 9. 2 x LAN |
| 5. Audio (Line-out) | 10. AT/ATX selectable switch |
| | 11. Touch on/off button |



Introduction

The MPC102-845 is a 10.4" fanless medical touch panel computer. In response to market demand, this medical panel computer is a cost effective solution. It adopts a modern, super sleek and fanless design and is equipped with the Intel® Celeron® processor N3060 dual core up to 2.48 GHz. For wireless network connection, the MPC102-845 offers 2 PCI Express Mini Card slots. By just plugging in the WLAN card, customers can have instant access to wireless LAN/GPRS/GSM/4G environments. Besides, it provides two types of power input: DC power with terminal block connector and AC power adapter with screw type connector.

Super Slim & Ultra Lightweight Design

With a thickness of 45.8 mm and weight of 1.8 kg, the MPC102-845 is designed for use in space-constrained environments.

Certifications

This 10.4-inch medical panel platform complies with 4th version of EN 60601-1 and CE, FCC Class B certifications to ensure medical operation safety.

Aluminum Back Chassis with Excellent Thermal Solution

With Axiomtek's patent for plastic plus aluminum mechanism design, the MPC102-845 can dissipate the heat easily and keep the system operation stable.

Specifications

Front Bezel	IP65, NEMA 4 rugged protection, plastic front bezel	
LCD Panel	Display Type	10.4" XGA TFT LCD with LED backlight
	Brightness (cd/m ²)	350 nits (XGA)
	Resolution	1024 x 768 (XGA)
	Viewing Angel (H/V)	150°/150°
Main System	CPU	Intel® Celeron® processor N3060 2 cores (up to 2.48 GHz)
	System Memory	1 x 204-pin DDR3L-1600 SO-DIMM, up to 8GB
	BIOS	AMI UEFI BIOS
	Storage	1 x 2.5" SATA HDD (9.5 mm height) 1 x mSATA
	Watchdog Timer	255 levels, 0 to 255 sec.
	Onboard Graphics	Integrated in Intel® GFX

Specifications

I/O Connector	1 x RS-232 1 x RS-232/422/485 (default RS-232) 1 x Switch for power on/off 1 x AT/ATX mode selection switch 2 x USB 2.0 2 x USB 3.0 1 x Audio (Line-out) 2 x 10/100/1000 Mbps Ethernet (Intel® i211-AT)
Expansion Interface	1 x Full-size PCI Express Mini Card slot with mSATA 1 x Full-size PCI Express Mini Card slot with SIM
Touchscreen	Resistive type
Power Supply	AC version: 100 to 240 V AC-DC, 65W power adapter or DC version: 9 to 36 VDC with over current protection fuse
Power Consumption	32W
Dimension	292.5 mm (11.52") (W) x 45.8 mm (1.80") (D) x 235.8 mm (9.28") (H)
Packing Dimensions	415 mm (16.34") (W) x 100 mm (3.94") (D) x 315 mm (12.4") (H)
Weight (net/gross)	1.8 kg (3.96 lb)/3 kg (6.61 lb)
Operating Temperature	0°C to +40°C (+32°F to +122°F)
Relative Humidity	20% to 90% @ +40°C; non-condensing
Operation Vibration	2G, 5 - 500Hz, random for SSD
Certifications	4th EN 60601-1 (ESD contact 8KV, air 15KV), CE and FCC

Packing List

- 1 x MPC102-845
- 1 x Driver CD
- 1 x Adapter (MPC102-845-J)
- 1 x Power cord (MPC102-845-J)
- 1 x Phoenix connector (MPC102-845 DC)

Ordering Information

Standard	
MPC102-845-J	10.4" XGA fanless medical touch panel computer with Intel® Celeron® processor N3060, 5-wire resistive touch screen, AC-DC 65W power adapter (screw type connector) and EMI class B
MPC102-845-DC	10.4" XGA fanless medical touch panel computer with Intel® Celeron® processor N3060, 5-wire resistive touch screen and DC power input (terminal block connector)

Optional Accessories

Wi-Fi + Bluetooth kit	
881281021A0E	Panel mount kit
881251001A0E	Wall mount kit
E226171119	Stand kit
881251203A0E	RFID kit

*Specifications and certifications may vary based on different requirements.

Optional EOS Installation

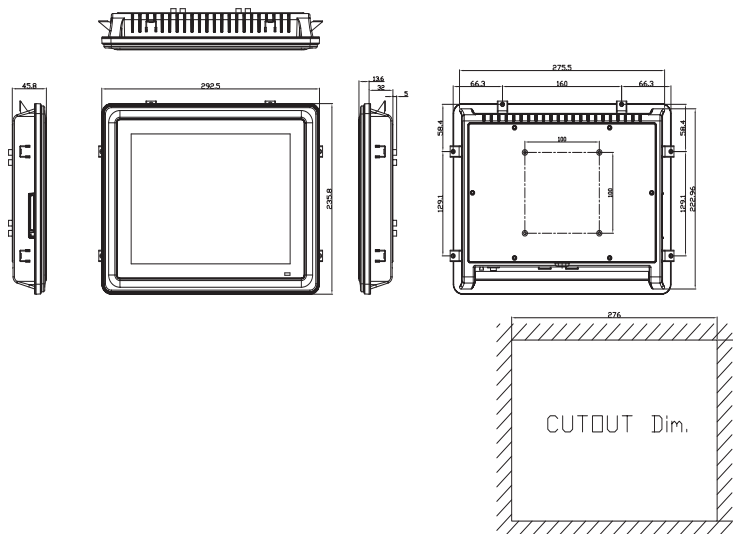
WES 7
WE8S (64-bit)

Optional OS Installation

Windows® 7
Windows® 8.1 (64-bit)
Windows® 10



Dimensions



* All specifications and photos are subject to change without notice. www.axiomtek.com © 2019 Axiomtek Co., Ltd. All rights reserved.

Assured Systems

Assured Systems is a leading technology company with over 1,500 regular clients in 80 countries, deploying over 85,000 systems to a diverse customer base in 12 years of business. We offer high-quality and innovative rugged computing, display, networking and data collection solutions to the embedded, industrial, and digital-out-of-home market sectors.

US

sales@assured-systems.com

Sales: +1 347 719 4508
Support: +1 347 719 4508

1309 Coffeen Ave
Ste 1200
Sheridan
WY 82801
USA

EMEA

sales@assured-systems.com

Sales: +44 (0)1785 879 050
Support: +44 (0)1785 879 050

Unit A5 Douglas Park
Stone Business Park
Stone
ST15 0YJ
United Kingdom

VAT Number: 120 9546 28
Business Registration Number: 07699660