

FABS-915AR/P/G(H)

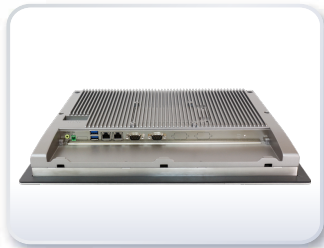
15" Fanless Industrial Compact Size Panel PC

Industrial Panel PC

HMI Controller

Industrial Display Monitor

Box PC



Features

- 15" Food Industrial Panel PC
- Flat front panel touch screen
- Fanless design
- 6th/7th Gen. Intel Core i3/i5/i7 Processors
- DDR4 SO-DIMM Socket
- Wide range DC 9-36V power input

Specifications

System	
CPU	6th/7th Gen. Intel Core i3/i5/i7 Processors
System Chipset	SoC
Memory	DDR4 SO-DIMM Socket

IO Port	
USB	2 x USB 3.0 type A
Serial / Parallel	1 x RS-232/422/485 DB-9, default RS-232(COM1) 1 x RS-232 DB-9(COM2)
LAN	2 x GbE LAN RJ-45
Audio	1 x Line Out
Power	1 x 3-pin DC Power input terminal 1 x 2-pin connector for power on/off button

Storage Space	
HDD/SSD	1 x 2.5" SATA HDD space (Easily Accessible)

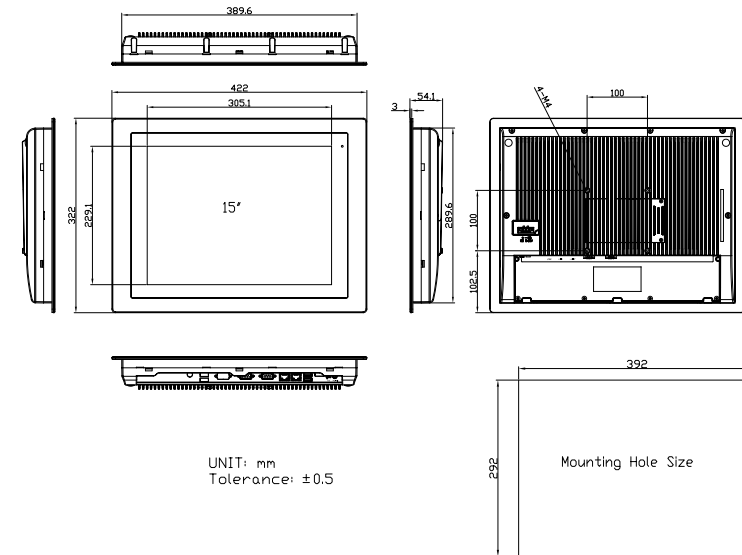
Expansion	
Expansion Slot	1 x Internal Mini-PCIe slot full size on board

Display	Standard	High Brightness Optional
Display Type	15" TFT-LCD	15" TFT-LCD
Max. Resolution	1024 x 768	1024 x 768
Max. Color	16.7M	16.7M
Luminance (cd/m ²)	420	1000
View Angle	160(H) / 160(V)	145(H) / 160(V)
Contrast	800:1	1000:1
Backlight Lifetime	50,000 hrs	30,000 hrs

Touch Screen	
Type	Projected Capacitive Touch (For P model) Resistive Touch (For R model) Glass (For G model)
Interface	USB
Light Transmission(%)	Resistive Touch : 80% Projected Capacitive : 90%

Power	
Power Input	DC 9-36V
Power Consumption	FABS-915AP: 42W

Dimensions



Mechanical	
Construction	304 Stainless steel front bezel (Default) 316 Stainless steel front bezel (Optional) Aluminum back cover
Mounting	Panel mount, VESA mount 100 x 100
IP Rating	Front Panel IP66/IP69K
Dimensions	422 x 322 x 54 mm
Net Weight	4.4 kg

Environmental	
Operating Temperature	0-50°C
Storage Temperature	-30~70°C
Storage Humidity	10 to 90% @ 40°C, non-condensing
Certificate	CE / FCC Class A EN 1672-2 (Exclude R model)

Operating System Support	
Windows 10 IoT ENT LTSC	

Ordering Information	
FABS-915AP (Barebone)	15" XGA fanless HMI barebone with Intel 6th Core i3-6100U CPU, 1x DDR4 SO-DIMM Socket, Projected Capacitive touch, 9-36V DC input with adapter, Stainless steel front bezel and Aluminum chassis.
FABS-915AR (Barebone)	15" XGA fanless HMI barebone with Intel 6th Core i3-6100U CPU, 1 x DDR4 SO-DIMM Socket, Resistive touch, 9-36V DC input with adapter, Stainless steel front bezel and Aluminum chassis.
FABS-915AG (Barebone)	15" XGA fanless HMI barebone with Intel 6th Core i3-6100U CPU, 1 x DDR4 SO-DIMM Socket, Protection glass, 9-36V DC input with adapter, Stainless steel front bezel and Aluminum chassis.

Assured Systems

Assured Systems is a leading technology company with over 1,500 regular clients in 80 countries, deploying over 85,000 systems to a diverse customer base in 12 years of business. We offer high-quality and innovative rugged computing, display, networking and data collection solutions to the embedded, industrial, and digital-out-of-home market sectors.

US

sales@assured-systems.com

Sales: +1 347 719 4508
Support: +1 347 719 4508

1309 Coffeen Ave
Ste 1200
Sheridan
WY 82801
USA

EMEA

sales@assured-systems.com

Sales: +44 (0)1785 879 050
Support: +44 (0)1785 879 050

Unit A5 Douglas Park
Stone Business Park
Stone
ST15 0YJ
United Kingdom

VAT Number: 120 9546 28
Business Registration Number: 07699660