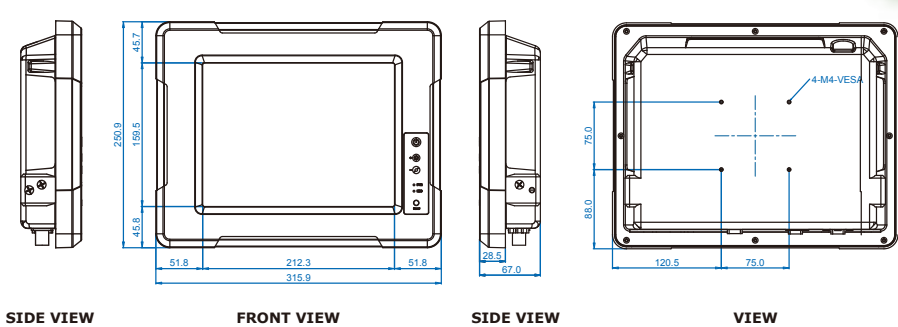


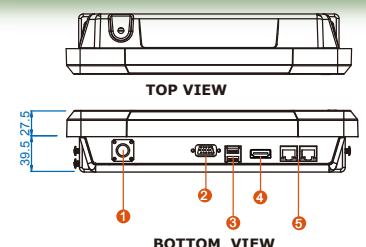
G-WIN[®] Military Panel PC

ruggedized

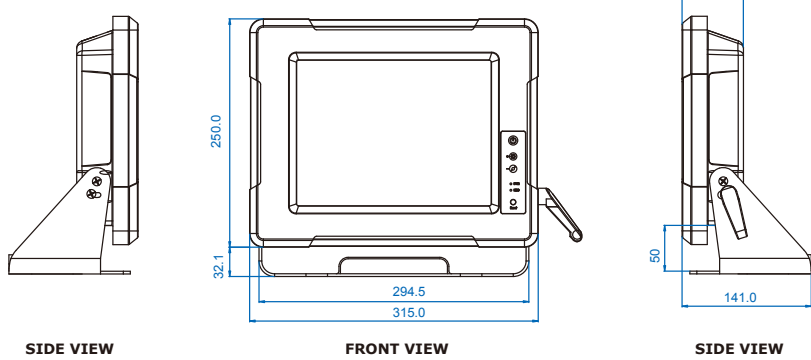
Model Number : R10IB3S-MLT2



Drawing / Mounting Bracket

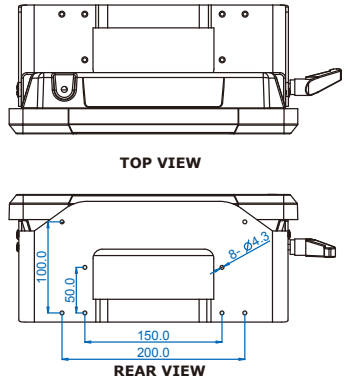


1. Military Grade Lockable Power Connector
2. RS232/422/485
3. 1xUSB 3.0, 1xUSB 2.0
4. HDMI
5. 2xRJ45



Measurements shown in mm / All Dimensions are ± 0.5 mm

* Note: this is a simplified drawing and some components are not marked in detail. Please contact our sales representative if you need further product information.



System Specification

Processor	: Intel® Bay Trail N2930 1.83GHz
Chipset	: Bay Trail SoC Chipset
BIOS	: AMI 16Mbit Flash
Memory	: 1xDDR3L 1066 / 1333 MHz SO-DIMM default 4GB, Max. 8GB
Ethernet	: Intel® I210-AT GbE LAN
Storage	: mSATA SSD, default 64GB
Expansion Slot	: 1 x Mini PCIe slot (for wireless module) 1 x Mini PCIe slot (for SATA SSD)

I/O Connectors

I/O Port	: Military Grade Lockable Power Connector 1x RS232/422/485 1x USB 2.0, 1x USB 3.0 1x HDMI WLAN antenna SMA in top(Optional)
Back Panel	: 2 x RJ-45(10/100/100 Mbps)

In Font Control

Control Button	: Power On/ Off Reset Brightness Up Brightness Down
LED indicator	: Power On/ Off HDD Status

Display Specification

Size	: 10.4 TFT
Resolution	: 1024 x 768 pixels
Brightness	: 350 cd/m ³ (typ)
Contrast Ratio	: 1200 : 1 (typ)
Viewing Angle	: -88~88(H);-88~88(V)
Max. Colors	: 16.2M

Mechanical and Environment

Dimensions (W x L x H)	: 315 mm x 250 mm x 67mm
Power Input	: 12V DC / MIL-grade connector
Power Consumption	: 35W typ.
Operating Temperature	: -20°C~70°C
Storage Temperature	: -20°C~70°C
Operating Humidity	: 10% to 95% (non condensing)
Mounting	: VESA mount, Vehicle mount
Shock	: Operating:30g for 18ms, 300m/s ²
Vibration	: Operating: 1.60/1.96/2.18 g rms for XYZ / 5-500Hz

Certifications

CE/FCC Class B

Product Optional Items

Mounting Bracket and Kits	One robust bracket with locking handle (Can adjust from -5deg. to 90deg.)
Operation System	Windows Embedded Standard 7 /
Storage	Windows Embedded 8.1 Industrial /Windows 10 IoT Enterprise mSATA SSD up to 256GB
Glass / Touch	3mm Anti-reflective Protection Glass
WLAN	Resistive Touch Screen IEEE802.11 b/g/n for optional
Wide Power Input Range	9V to 36V wide range acceptable for optional

Environmental(MIL-STD 461E/F Compliance)

RE	: RE 101 / RE 102
CE	: CE 101 / CE 102
Optional with EMI Glass / Touch	
RS	: RS101 / RS103
CS	: CS 101 / CS 106 / CS 109 / CS 114 CS 115 / CS 116

Assured Systems

Assured Systems is a leading technology company with over 1,500 regular clients in 80 countries, deploying over 85,000 systems to a diverse customer base in 12 years of business. We offer high-quality and innovative rugged computing, display, networking and data collection solutions to the embedded, industrial, and digital-out-of-home market sectors.

US

sales@assured-systems.com

Sales: +1 347 719 4508
Support: +1 347 719 4508

1309 Coffeen Ave
Ste 1200
Sheridan
WY 82801
USA

EMEA

sales@assured-systems.com

Sales: +44 (0)1785 879 050
Support: +44 (0)1785 879 050

Unit A5 Douglas Park
Stone Business Park
Stone
ST15 0YJ
United Kingdom

VAT Number: 120 9546 28
Business Registration Number: 07699660