

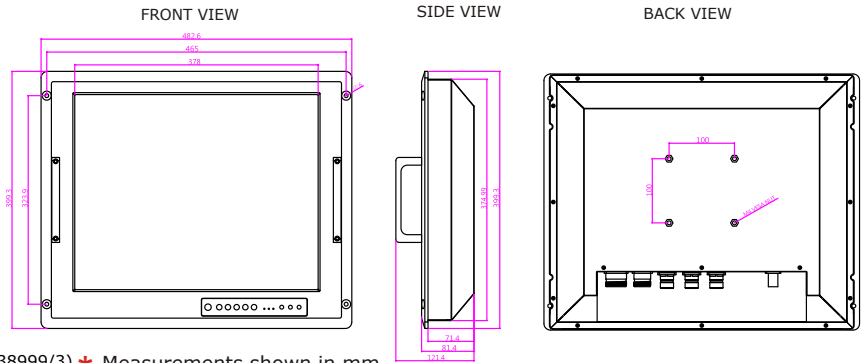
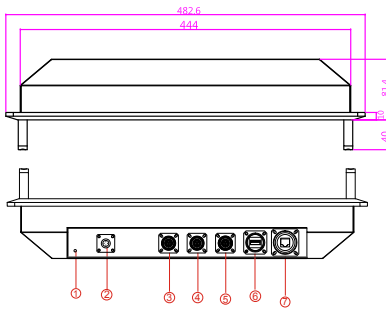
Military Grade 19" Rack Mount Panel PC (Intel® Core i7 Platform)

MODEL #: R19IH3S-MLA3-89

Mechanical Design



- 19" SXGA TFT-LCD
- Intel® Core i7 4650U 3.30GHz Processor
- Anti-Corrosion Housing / Fanless
- Compliant with MIL-STD-810G/F
- Flush Rack / Rack Mount Mechanical Design (9U)
- Convenient On-Screen Display Controls
- AC 110~240V Power input default / Isolation DC 9~36V Power input (Optional)
- Built-in Light Sensor for auto brightness control
- Military Grade Power Connector (MIL-DTL-38999/1 & 38999/3)



1. Ground
2. AC Power in (MIL-DTL-38999/1)
3. VGA (MIL-DTL-38999/3)
4. RS-232 (MIL-DTL-38999/3)
5. RS-232 (Optional)
6. USB 2.0 A Type (MIL-DTL-38999/3)
7. LAN (MIL-DTL-38999/3)

* Measurements shown in mm.
 * Tolerance of all dimensions is shown as follow 0~30 mm ± 0.1 mm, 30~50 mm ± 0.15 mm, 50~120 mm ± 0.2 mm, above 120 mm ± 0.25 mm.
 * Note: this is a simplified drawing and some components are not marked in detail. Please contact our sales representative if you need further product information.

Display Specification

Characteristics :

- Resolutions : 1280 x 1024
- Brightness : 350 cd/m² (typ.)
- Contrast Ratio : 1000 : 1(typ.)
- Viewing Angles : -85~85(H); -80~80(V)
- Max Colors : 16.7M(Colors)

System Specifications :

- Processor : Intel®Core i7 4650U 3.30GHz
- BIOS : AMI 16Mbit Flash
- Processor Graphics : Intel® HD Graphics 5000
- System Memory : 1 x SO-DIMM DDR3L 1600, Default 4GB
- Lan Controller : Intel®Ethernet Controller 1211-AT + Intel® Gigabit Etherne PHY 1218-LM
- Storage : mSATA SSD, Default 64GB
- Expansion Slot : 1 x Mini PCIe slot (for USB module)

* A customized housing is needed if you would like to have the PCI expansion.

Power Specifications :

- Power Input : Default AC 110~240V in
Optional isolation DC 9~36V in

Environment Considerations :

- Operating Temperature : -20°C~60°C
- Storage Temperature : -30°C~70°C
- Operating Humidity : 95%RH ±3%

I/O Connectors

- Plug & Play : VESA DDC 1/2B
- Back Panel I/O Port : 1 x Power Input (MIL-DTL-38999/1)
1 x VGA (MIL-DTL-38999/3)
1 x RS232 (MIL-DTL-38999/3)
1 x USB 2.0A Type (MIL-DTL-38999/3)
1 x LAN (MIL-DTL-38999/3)

* If you require external test report, Winmate will charge NRE fee.

Order Information (Optional)

- Touch : 5 Wires Resistive / 5 Wire Resistive with EMI Coating
- Glass : EMI Coating Glass (Default AR Glass)
- OS : Windows Embedded Standard 7
Windows Embedded 8 Standard
Windows Embedded 8.1 Industry
Windows 10 IoT Enterprise
- Storage : mSATA SSD up to 256GB
- RAM : SO-DIMM DDR3 1666, max up to 8GB
- Power : Optional isolation 9~36V DC in

Default Accessories

- 1 x MIL-DTL-38999/1 Power cord / Cable
- 1 x MIL-DTL-38999/3 VGA Cable
- 1 x MIL-DTL-38999/3 RS232 Cable
- 1 x Driver & Manual CD



Note: All Specifications are subject to change without prior notice!

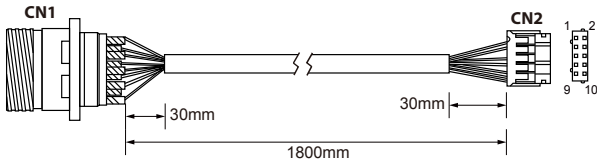
Revised Date:04-Mar-2019 V1.4

Military Grade 19" Rack Mount Panel PC (Intel® Core i7 Platform)

MODEL #: R19IH3S-MLA3-8

Pin Assignment of Cables

MIL-DTL-38999/3 RS232 Cable

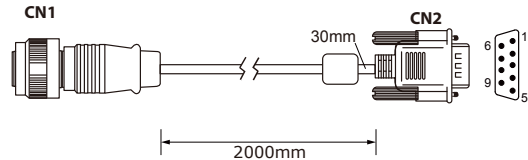


PIN NO.	SYMBOLS	COLOR
CN1-1	R	Red
CN1-2	R-GND	Black
CN1-3	G	Green
CN1-4	G-GND	Black
CN1-5	B	Blue
CN1-6	B-GND	Black
CN1-7	SDA	Yellow
CN1-8	HS	Orange
CN1-9	VS	White
CN1-10	SCL	Brown

PIN NO.	SYMBOLS	COLOR
CN2-4	R	Red
CN2-9	GND	Black
CN2-6	G	Green
CN2-9	GND	Black
CN2-8	B	Blue
CN2-10	GND	Black
CN2-1	SDA	Yellow
CN2-5	HS	Orange
CN2-7	VS	White
CN2-3	SCL	Brown

Coaxial cable
Coaxial cable
Coaxial cable

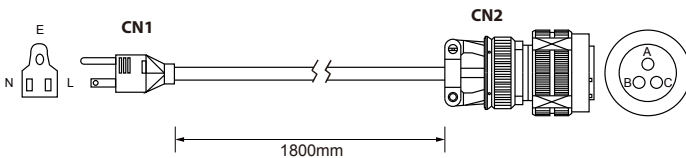
MIL-DTL-38999/3 VGA Cable



PIN NO.	SYMBOLS	COLOR
CN1-1	DCD	Green
CN1-2	DSR	Brown
CN1-3	RXD	Red
CN1-4	RTS	Orange
CN1-5	TXD	Blue
CN1-6	CTS	White
CN1-7	DTR	Purple
CN1-8	RI	Yellow
CN1-9	GND	Black
Braid		外殼

PIN NO.	SYMBOLS	COLOR
CN2-1	DCD	Green
CN2-6	DSR	Brown
CN2-2	RXD	Red
CN2-7	RTS	Orange
CN2-3	TXD	Blue
CN2-8	CTS	White
CN2-4	DTR	Purple
CN2-9	RI	Yellow
CN2-5	GND	Black
Braid		外殼

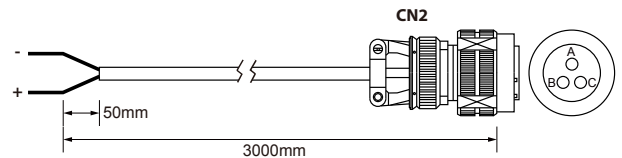
MIL-DTL-38999/1 AC Power Cable (For US)



PIN NO.	SYMBOLS	COLOR
CN1-1	N	White
CN1-2	L	Black
CN1-3	E	Green

PIN NO.	SYMBOLS	COLOR
CN2-1	A	White
CN2-2	B	Black
CN2-3	C	Green

MIL-DTL-38999/1 DC Power cable (optional)



PIN NO.	SYMBOLS	COLO
OPEN	VCC+	White
OPEN	VCC-	Black

PIN NO.	SYMBOLS	COLOR
CN2-A	VCC+	White
CN2-B	VCC-	Black

Assured Systems

Assured Systems is a leading technology company with over 1,500 regular clients in 80 countries, deploying over 85,000 systems to a diverse customer base in 12 years of business. We offer high-quality and innovative rugged computing, display, networking and data collection solutions to the embedded, industrial, and digital-out-of-home market sectors.

US

sales@assured-systems.com

Sales: +1 347 719 4508
Support: +1 347 719 4508

1309 Coffeen Ave
Ste 1200
Sheridan
WY 82801
USA

EMEA

sales@assured-systems.com

Sales: +44 (0)1785 879 050
Support: +44 (0)1785 879 050

Unit A5 Douglas Park
Stone Business Park
Stone
ST15 0YJ
United Kingdom

VAT Number: 120 9546 28
Business Registration Number: 07699660