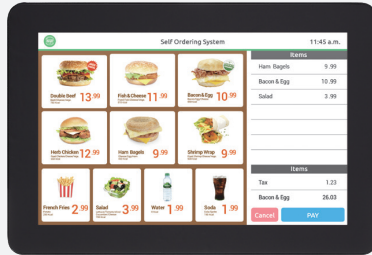


XPPC 10-200

10.1" TFT WXGA 16:10 Slim Bezel, Multi-touch Computer
Powered by 11th Generation Intel® Core™ Processor



Main Features

- 10.1" TFT WXGA 16:10 panel
- 10 points P-Cap multi-touch with slim bezel design
- IP65 protection on the front
- Support: VESA/panel/openframe mount
- 11th Generation Intel® Tiger Lake-UP3 Core™ processor SoC
- 1 x 260-pin DDR4 SO-DIMM up to 32G
- Onboard M.2 2280 Key M with PCIe x4 signal for storage module
- Onboard M.2 2230 Key E for optional Wi-Fi modules
- Support power input 12 VDC

Product Overview

The 10.1" fanless touch computer XPPC 10-200 incorporating an industrial motherboard is intended for versatile industrial applications. XPPC 10-200 has a touch screen LED backlight LCD panel with 1280 x 800 (WXGA) resolution and 400-nit brightness. The front panel which adopts flush design and complies with IP65 standard by panel mount makes it the perfect fit in industrial applications. XPPC 10-200 powered by Intel® Tiger Lake-UP3 Core™ SoC. XPPC 10-200 has slim design and weight optimization. XPPC 10-200 support multi-mounting choice based on different application. XPPC 10-200 can be applied in different situations. For example: hotel self-check in system, department store, welcome board and advertisement.

Specifications

Panel

- LCD size: AUO G-series 10.1", 16:10
- Resolution: WXGA 1280 x 800
- Luminance:
 - LCD panel: 400cd/m2
 - XPPC PCAP touch: 360cd/m2
- Contrast ratio: 800
- LCD color: 16.7M
- Viewing angle: 89 (U), 89 (D), 89 (L), 89 (R)

Touch Screen

- 10 points P-Cap (projected capacitive touch)
- Optical bonding
- Glass surface treatment: AS (anti-smudge coating for easy cleaning)

System

- Onboard 11th Generation Intel® Core™ i3-1115G4E processor, dual core, 2.2 GHz base frequency, 6M cache (formerly Tiger Lake-UP3)
- Intel® UHD graphics 630 on i3 processor
- Onboard 11th Generation Intel® Core™ i5-1145G7E processor, dual core, 1.5 GHz base frequency, 8M cache (by request)
- Intel® Iris® Xe graphics on i5 processor

Main Memory

- 1 x 260-pin DDR4 SO-DIMM, supports non-ECC, un-buffered memory up to 32G

Storage device

- 1 x M.2 2280 Key M, support PCIe x4

Expansion

- 1 x M.2 2230 Key E, support optional Wi-Fi modules

Rear I/O

- 1 x RS232/422/485
- 1 x 12V DC Jack
- 2 x RJ45 Intel® Gigabit LAN port
- 1 x HDMI 2.0
- 4 x USB 3.0
- 1 x Line out
- LED for power on/off
- Power switch

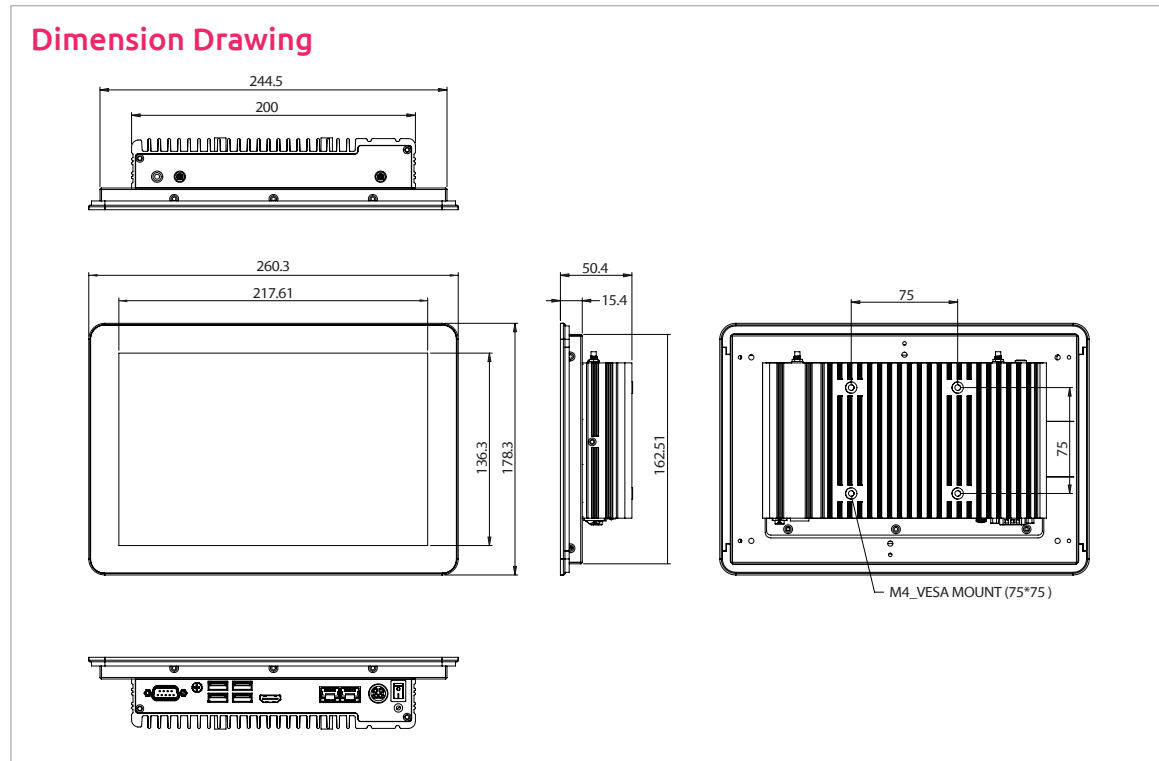
Front I/O

- 2 x Antenna hole

Mechanical & Environment

- Color/material: black silver/metal sheet
- Support
 - VESA mount 100mm x 100mm
 - Panel mount
 - Open frame

www.nexcom.com



Environment

- Vibration
 - IEC 68 2-64
 - 2Grms @ sine, 5~500Hz, 1hr/axis
 - 2.2Grms @ random condition, 5~500Hz, 0.5hr/axis (non-operating)
- Shock
 - IEC 68 2-27
 - 50g peak acceleration (11 msec. duration)
- Temperature
 - Operating temperature: 0°C~50°C
 - Storage temperature: -20°C~60°C
- Operating humidity: 10%~90% relative humidity, non-condensing limits to be at 90%

Dimensions

- System: 260.3mm x 178.3mm x 50.4mm
- System weight: 2.0 kg
- Package: 335mm x 302mm x 160mm
- Package weight: 3 kg

Power Supply

- 1 x External 60W AC/DC power adapter with lock (power adapter is included in accessory)
- Input: 100VAC to 240VAC
- Output: DC+12VDC

Certifications

- CE (EN55035 + EN55032)
- FCC Class A (EMI part 15B)
- LVD (EN62368-1)

OS Support Lists

- Win10 64-bit
- Linux

Ordering Information

Barebone

- **XPPC 10-200-i3 (P/N:10W30XPPC19X0)**
10.1" WXGA LED P-CAP touch computer, Intel® Tiger Lake Core i3-1115G4E
- **XPPC 10-200-i5 (P/N:10W30XPPC20X0)**
10.1" WXGA LED P-CAP touch computer, Intel® Tiger Lake Core i5-1145G7E
- **Panel Mount Kit (P/N: 88W30XPPC02X0)**
- **Open Frame Kit (P/N: 88W30XPPC03X0)**

Assured Systems

Assured Systems is a leading technology company with over 1,500 regular clients in 80 countries, deploying over 85,000 systems to a diverse customer base in 12 years of business. We offer high-quality and innovative rugged computing, display, networking and data collection solutions to the embedded, industrial, and digital-out-of-home market sectors.

US

sales@assured-systems.com

Sales: +1 347 719 4508
Support: +1 347 719 4508

1309 Coffeen Ave
Ste 1200
Sheridan
WY 82801
USA

EMEA

sales@assured-systems.com

Sales: +44 (0)1785 879 050
Support: +44 (0)1785 879 050

Unit A5 Douglas Park
Stone Business Park
Stone
ST15 0YJ
United Kingdom

VAT Number: 120 9546 28
Business Registration Number: 07699660