

IPPC 1211-B01

12.1" TFT WXGA 16:9 Heavy Industrial Panel PC with Intel Atom® E3845 Processor 1.91GHz, Multi-Touch Screen, 4GB DDR3L, 4 x Lan, 1 x COM



Main Features

- Intel Atom® E3845, Quad Core, 1.91GHz
- 12.1" PCAP multi-touch screen with AR coating
- 4 Gigabit Ethernet/mini DP for external monitor
- Auto dimming function can be adjust by ambient light
- DDR3L 4GB/1 swappable SSD tray for 2.5" SSD
- IP65 compliant front panel
- Built in 24VDC isolated protection power input
- Mounting support: flush/VESA 75mm x 75mm

Product Overview

The 12.1" fanless panel PC IPPC 1211-B01 incorporating an industrial motherboard is intended for versatile industrial applications. The panel PC has a touch screen LED backlight LCD panel with 1280 x 800 (WXGA) resolution. The front panel which adopts flush design and complies with IP65 standard makes it the perfect fit in industrial applications.

The IPPC 1211-B01 supports 4 Gigabit Ethernet connectors, and one M.2 slot. With support for isolated protection DC power input of 24VDC, IPPC 1211-B01 can gain a strong foothold in industrial field and machine devices. In addition, IPPC 1211-B01 can hook 2nd display via a mini DP for dual independent display. IPPC 1211-B01 has one adjustable RS232/422/485 ports.

Specifications

Panel

- LED size: 12.1", 16:9
- Resolution: WXGA 1280 x 800
- Luminance: 600cd/m2
- Contrast ratio: 1000
- LCD color: 16.7M
- Viewing angle: 85(U), 85(D), 85(L), 85(R)
- Backlight: LED

Touch Screen

- Ten points P-Cap (projected capacitive touch)
- Touch light transmission: 89%
- Anti-scratch surface: 7H hardness with AR coating
- Touch interface: USB

System

- CPU: onboard Intel Atom® processor E3845, 1.91 GHz, 2M L2 Cache
- BIOS: AMI BIOS
- System memory: 1 x 204-pin DDR3L SO-DIMM socket, 4GB DDR3L (default), support up to 4GB DDR3L-1866, non-ECC and un-buffered

Storage device:

- 1 x SATA M.2 2242 Key B connector, M.2 2242 SATA storage (optional)
- 1 x SATA connector for 1x swappable 2.5" SSD tray, support SATA 3Gb/s and SATA 6Gb/s, 2.5" SATA storage (optional)
- Watchdog timer: Watchdog timeout can be programmable by software from 1 second to 255 seconds and from 1 minute to 255 minutes (tolerance 15% under room temperature 25°C)
- H/W status monitor: monitoring system temperature, and voltage
- Front LED indicator to show operating status
- Backlight control
 - Control button: increase brightness, decrease brightness, backlight on/off
 - Auto dimming function can be adjust by ambient light sensor

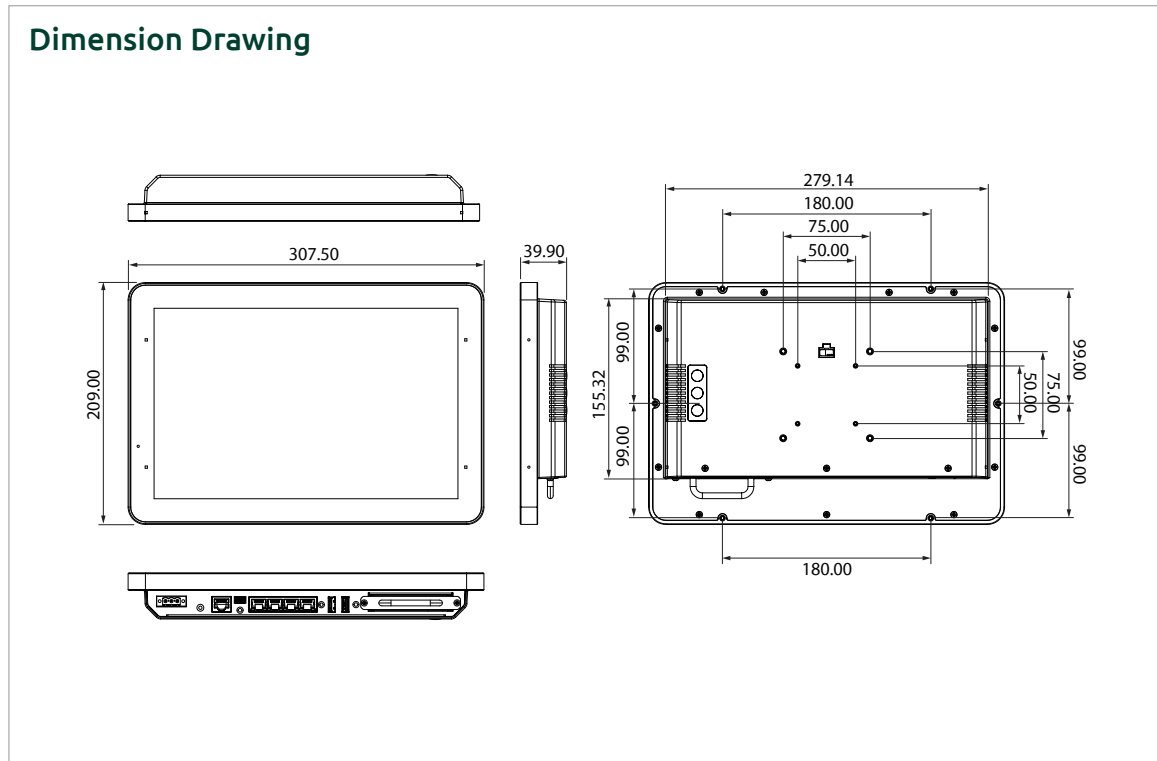
Rear I/O

- Ethernet: 4 x RJ45
- 2nd displayport: 1 x mini DP
- USB: 1 x USB 2.0, 1 x USB 3.0
- COM #1: 1 x RJ45 output for RS232/422/485

www.nexaiot.com



Dimension Drawing



- Power status LED
- DC power input connector: 3-pin phoenix terminal blocks

Ethernet

- LAN chip: 4 x Intel® I210-IT Gigabit LAN
- Ethernet interface: 10/100/1000 mbps
- Support wake up on LAN

Power Requirements

- Input voltage: 24VDC
- Reverse polarity protection
- Galvanic isolated
- Power consumption: 22W to 30W

Mechanical & Environment

- Fanless system design
- Color:
 - Pantone black RAL9005, powder painting for aluminum front bezel
 - for aluminum back cover
- IP protection:
 - IP65 front bezel
 - IP20 back system
- Mounting: VESA 75mm x 75mm/flush (optional)
- Vibration:
 - 1.15Grms @ random condition, 1~200Hz, 1.5hr/axis (operating/non-operating)
- Shock
 - IEC 68 2-27

- 20G @ wall mount, half sine, 11ms
- Operating temperature: -25°C to 60°C
- Storage temperature: -25°C to 75°C
- Operating humidity: 10%~90% relative humidity, non-condensing
- Dimension: 307.5 x 209 x 39.9 mm
- Weight: 5 kg

Certifications

- CE (including EN61000-6-2/EN61000-6-4)
- FCC class A

OS Support Lists

- Windows 10 64-bit

Ordering Information

Barebone

- **IPPC 1211-B01 (P/N: 10I10121100X0)**
12.1" TFT WXGA 16:9 Heavy Industrial Panel PC with Intel Atom® E3845 Processor 1.91GHz, multi-touch screen, 4GB DDR3L, 4 x Lan, 1 x COM, 1 x mini DP

Options

- **24V ,60W AC/DC power adapter w/o power cord (P/N: 7400060065X00)**

Assured Systems

Assured Systems is a leading technology company with over 1,500 regular clients in 80 countries, deploying over 85,000 systems to a diverse customer base in 12 years of business. We offer high-quality and innovative rugged computing, display, networking and data collection solutions to the embedded, industrial, and digital-out-of-home market sectors.

US

sales@assured-systems.com

Sales: +1 347 719 4508
Support: +1 347 719 4508

1309 Coffeen Ave
Ste 1200
Sheridan
WY 82801
USA

EMEA

sales@assured-systems.com

Sales: +44 (0)1785 879 050
Support: +44 (0)1785 879 050

Unit A5 Douglas Park
Stone Business Park
Stone
ST15 0YJ
United Kingdom

VAT Number: 120 9546 28
Business Registration Number: 07699660