

CMC 300-F0x

Cabinet Mount Fanless PC
with Intel® Xeon® E-2278GEL and 8/9th Gen Intel® Core™ i7/i5/i3 Processors



Main Features

- Fanless system design with slim type
- Intel® Xeon® E-2278GEL and 8th & 9th Gen Intel® Core™ i7/i5/i3 LGA socket type processors
- 2 x Gigabit Ethernet
- 2 x USB 2.0, 2 x USB 3.0, 1 x COM RS232/422/485
- IP65 protection on the outside heatsink
- 1 x DVI-D display output
- 2 x DDR4 up to 64GB
- 1 x mini-PCIe for storage device
- 2 x Easy-access 2.5" SSD trays
- Support power input 24 VDC

Product Overview

The CMC 300-F0x Industrial Fanless PC series has been designed with the purpose of being installed in the plate of the control cabinet or in the rear plate of a control cabinet. This Fanless PC cut-in to a suitable cut-out in the control cabinet and its heatsink is at outside the cabinet with IP65 protection. The CMC 300-F0x is up to high performance Intel Xeon grade CPU with two external 2.5" HDD trays. This product meets easy maintenance condition in the industrial such as wind power, charging station.

Specifications

CPU Support

- Support Intel® Xeon® E-2278GEL
- Support 8th & 9th generation Intel® Core™ i7/i5/i3 LGA socket type:
 - Intel® Core™ i3-8100T, i5-8500T, i7-8700T
 - Intel® Core™ i3-9100TE, i5-9500TE, i7-9700TE
- Support up to 35W CPU

PCH

- Intel® C246 PCH

Main Memory

- 2 x DDR4 2400/2666 SO-DIMM sockets, support up to 64GB with non-ECC and un-buffered
- Support ECC with Intel® Xeon® processor

I/O Interface Status LEDs

- Power
- SATA (SSD)

I/O Interface

- DC power input connector: 3-pin Phoenix Contact terminal blocks
- COM: 1 x RS232/422/485
- Display: 1 x DVI-D port
- Ethernet: 2 x RJ45
 - LAN: 1 x Intel® I219-LM PHY LAN and 1 x Intel® I210-HT Gigabit LAN
 - Ethernet interface: 10/100/1000 Mbps
 - Support wake up on LAN

- 2 x USB 2.0 ports
- 2 x USB 3.0 ports
- 2-pin remote power on/off
- 1 x Easy-access RTC battery socket

Storage Device

- 2 x Easy-access 2.5" SSD trays
- 1 x mini-PCIe slot for storage

Power Requirements

- DC power input:
 - Input voltage: 18VDC -5% to 24VDC +10%, 7.5A
 - Reverse polarity protection

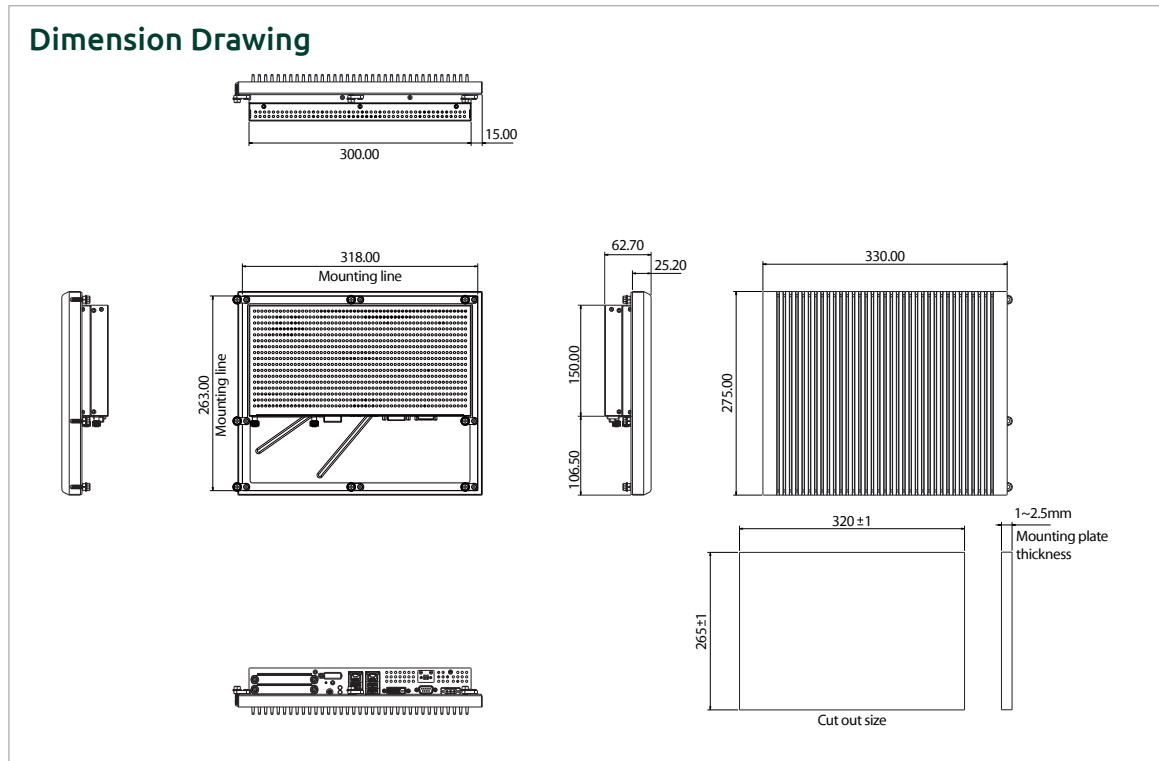
Environment

- Operating temperature:
 - 0°C to 55°C with natural convection
 - 0°C to 60°C with mild forced airflow
- Operating humidity support 10%~90% relative humidity, non-condensing
- Vibration protection w/ HDD condition:
 - Random: 0.5Grms @ 5~500 Hz, IEC60068-2-64
 - Sinusoidal: 0.5Grms @ 5~500 Hz, IEC60068-2-64

Dimensions

- Dimension: 330mm x 275mm x 62.7mm
- Weight: 5.7 KG

www.nexaiot.com



Construction

- Aluminum extrusion heat sink and iron nickel plating housing
- Back cover with reserved RAID card heatsink hole
- IP65 protection for the outside heatsink

Certifications

- CE (EN61000-6-2/EN61000-6-4)
- FCC Class A

OS Support List

- Windows 10 64-bit

Ordering Information

Barebone

- **CMC 300-F03 (P/N: 10CM0030004X0)**
Cabinet mount controller fanless PC with Intel® Core™ i5-9500TE 2.2GHz

Options

- **DDR4 DRAM 16GB (P/N: 72BGM16G07H00)**
- **DDR4 DRAM 32GB (P/N: 72BGM32G02H00)**

Assured Systems

Assured Systems is a leading technology company with over 1,500 regular clients in 80 countries, deploying over 85,000 systems to a diverse customer base in 12 years of business. We offer high-quality and innovative rugged computing, display, networking and data collection solutions to the embedded, industrial, and digital-out-of-home market sectors.

US

sales@assured-systems.com

Sales: +1 347 719 4508
Support: +1 347 719 4508

1309 Coffeen Ave
Ste 1200
Sheridan
WY 82801
USA

EMEA

sales@assured-systems.com

Sales: +44 (0)1785 879 050
Support: +44 (0)1785 879 050

Unit A5 Douglas Park
Stone Business Park
Stone
ST15 0YJ
United Kingdom

VAT Number: 120 9546 28
Business Registration Number: 07699660