

# APPD 1501T

15" IP65 Industrial 4:3 XGA LCD Flush Touch Monitor



## Main Features

- IP65 compliant plastic front bezel with flush panel by 5-wire touch screen
- Triple display input interface: analog VGA/DVI-D/DisplayPort
- Shares identical appearance with APPC series
- Dual touch screen interface: RS232 and USB
- Ultra slim in depth
- OSD multilanguage function

## Product Overview

15" 4:3 LCD display APPD 1501T is based on a 5-wire resistive touch screen. It has 400 nits brightness and can support resolutions up to 1024 x 768. APPD 1501T is ideal for space-critical environments where systems and displays are kept apart. In addition, APPD 1501T adopts a flush panel design and has IP65 front panel. APPD 1501T provides prevailing video interfaces: VGA, DVI and DisplayPort, supporting both digital and analog signals; touch screen can be connected with RS-232 or USB ports. Moreover, APPD 1501T supports 12~24VDC power input and offers panel mount and VESA mount, allowing users to choose the mounting method that meets their situation. APPD 1501T is the best solution for NEXCOM NISE fanless computer, NVIS security surveillance series and APPC panel PC when a second display is required.

## Specifications

### Panel

- LCD size: 15", 4:3
- Resolution: XGA 1024 x 768
- Luminance: 400cd/m<sup>2</sup>
- Contrast ratio: 2500
- LCD color: 16.7M
- Viewing angle: 88 (U), 88 (D), 88 (L), 88 (R)
- Backlight: LED

### Touch Screen

- 5-Wire resistive (flush panel type)
- Light transmission: 81%
- Interface: USB and RS232

### Rear I/O

- Touch screen interface port: RS-232 (1 x DB9)/USB type A
- Video port: VGA (1 x DB15)/DVI-D (1 x DVI-I connector)/DisplayPort
- DC power input connector: 3-pin Phoenix terminal blocks

### OSD Function

- OSD keypad
- Multilanguage OSD

### Mechanical & Environment

- Color: Pantone black and black silver chassis box
- IP protection: IP65 front
- Mounting: panel/wall/stand/VESA 100mm x 100mm
- Power
  - Power input: 12V~24VDC
  - Power adapter: optional AC to DC power adapter (+12V, 60W)
- Vibration
  - IEC 68 2-64
  - 2Grms @ sine, 5~500Hz, 1hr/axis (operating)
  - 2.2Grms @ random condition, 5~500Hz, 0.5hr/axis (non-operating)
- Shock
  - IEC 68 2-27
  - 20G@wall mount, half sine, 11ms
  - Operating temperature: -5°C~50°C
  - Storage temperature: -20°C~75°C
- Operating humidity: 10%~90% relative humidity, non-condensing
- Dimension: 384.37 x 309.95 x 51mm
- Weight: 3.9 kg

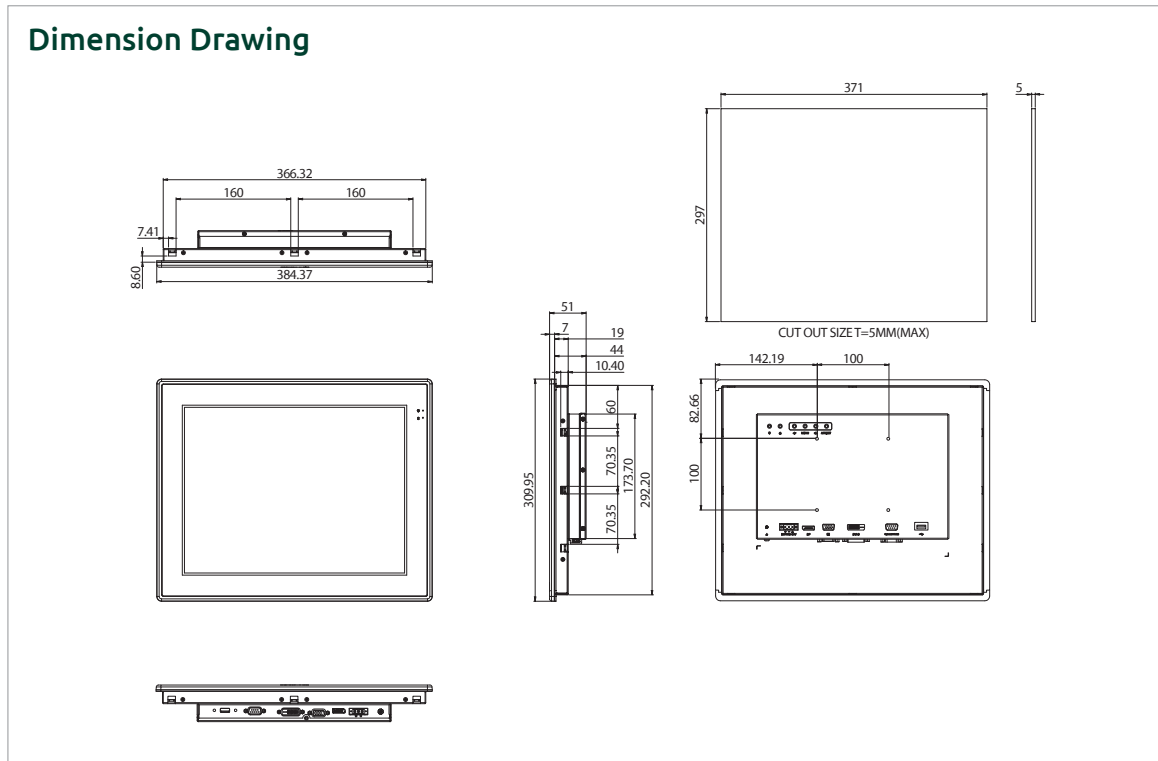
### Certifications

- CE approval
- FCC Class B

www.nexaiot.com



### Dimension Drawing



### Ordering Information

- ♦ **APPD 1501T (P/N: 10IA1501T00X0)**  
15" XGA industrial 4:3 LED backlight flush touch monitor with VGA, DVI-D and DisplayPort, 12~24VDC input, RS232 and USB touch screen interfaces

#### Options

- ♦ **12V, 60W AC/DC power adapter w/o power cord (P/N: 7400060048X00)**
- ♦ **1.8m DVI-D male to DVI-D male cable (P/N: 603DVI0007X00)**

## Assured Systems

Assured Systems is a leading technology company with over 1,500 regular clients in 80 countries, deploying over 85,000 systems to a diverse customer base in 12 years of business. We offer high-quality and innovative rugged computing, display, networking and data collection solutions to the embedded, industrial, and digital-out-of-home market sectors.

### US

[sales@assured-systems.com](mailto:sales@assured-systems.com)

Sales: +1 347 719 4508  
Support: +1 347 719 4508

1309 Coffeen Ave  
Ste 1200  
Sheridan  
WY 82801  
USA

### EMEA

[sales@assured-systems.com](mailto:sales@assured-systems.com)

Sales: +44 (0)1785 879 050  
Support: +44 (0)1785 879 050

Unit A5 Douglas Park  
Stone Business Park  
Stone  
ST15 0YJ  
United Kingdom

VAT Number: 120 9546 28  
Business Registration Number: 07699660