



W07MG3S-GS01

7" ARM A78 + A55 G-WIN GS-Series Full IP65 PCAP Panel PC



KEY FEATURES

- 7" 1024 x 600 with PCAP touchscreen
- ARM 2 x A78 2.0GHz + 4 x A55 2.0GHz
- Fanless cooling system and Ultralow power consumption
- Full IP65
- Onboard 32GB eMMC
- Onboard LPDDR4 4GB
- 1 x LAN, 1 x RS232, 1 x USB, 1 x USB Type-C, 1 x Micro SD

INTRODUCTION

Winmate G-WIN GS Series Panel PC Series is engineered for demanding industrial applications, offering sizes from 7" to 15" with a fanless cooling system and ultra-low power consumption. These robust Panel PCs feature edge-to-edge design, PCAP multi-touch screens, and full IP65 protection with waterproof M12 connectors, ensuring resistance to water, dust, and harsh conditions. With versatile I/O options, rugged durability, and sleek functionality, they are ideal for manufacturing, outdoor kiosks, and other challenging environments.

OVERVIEW



Seamless Gestures Enabled by PCAP Touch

The GS series panel PC with PCAP displays seamlessly reacts to touch input, accommodating single-touch, dual-touch, and multi-touch functionalities with ease. In contrast to resistive screens, they operate without the need for pressure, thereby improving accuracy and user comfort. These displays find extensive utilization across various sectors such as consumer electronics, medical equipment, and industrial control systems, significantly enriching user interaction across a diverse range of applications.

Enhanced Performance and Reliability

The GS series Panel PC integrating eMMC storage with DDR4 memory offers optimized performance, reliability, data integrity, space efficiency, energy efficiency, and cost-effectiveness, making it a compelling choice for a wide range of industrial applications requiring robust and efficient computing solutions.





Silence and Performance Combined

By adopting fanless cooling systems featuring heat sinks and vapor chambers, the Winmate GS Series ensures quiet and energy-efficient operation, eliminating the usual noise associated with fans. Specifically crafted for panel PCs and industrial settings, they offer smooth performance without compromising on silence. Additionally, these advanced cooling methods contribute significantly to energy conservation, enhancing their overall value.

Water Resistance (IP65)

The G-WIN GS series HMI panel PC features a front IP65 rating, providing robustness in challenging environments against water and dust. This shield defends it from water splashes, dust, and other contaminants, preserving operational reliability. With this certification, operators can confidently employ the HMI in demanding industrial conditions, without fears of damage from moisture or dust. This attribute enhances dependability and durability, facilitating effective support for critical industrial operations.



Diverse I/O Ports

Tailored to address diverse industrial requirements, the Winmate G-WIN GS Series Panel PC offers an array of I/O interfaces, such as 1 x LAN, 1 x RS232, 1 x USB, 1 x USB Type-C, 1 x Micro SD. These interfaces enable effortless connectivity and interaction with a wide array of external devices and peripherals, enhancing the versatility of the Panel PCs for various applications.

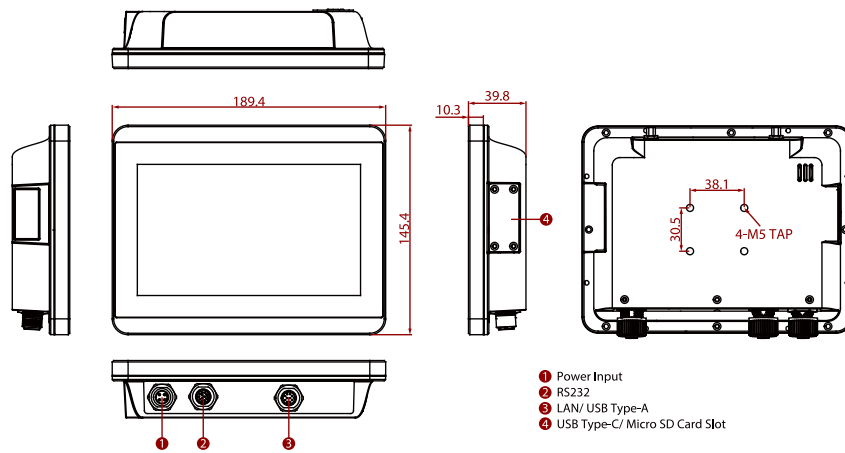
SPECIFICATIONS

Display			
Resolution	1024x600	Size	7.0 inches
Contrast Ratio	700:1	Panel Brightness	1000.0 nits
View Angles	75,75,75,70	Active Area	153.6x90 mm
Touch / Glass	Projected Capacitive Multi Touch Screen		
System Specification			
Processor	ARM 2 x A78 2.0GHz + 4 x A55 2.0GHz	Memory	4GB LPDDR4
Storage	Onboard 32 GB	Operating System	Android 13 Linux Yocto 5.10.104 with QT 5.15 (Optional) Linux Ubuntu 22.04 (Optional)
Environment			
Operating Humidity	10% to 95% RH, Non-Condensing	Operating Temperature	-15°C to 55°C
Storage Temperature	-30°C to 60°C	Shock	MIL-STD-810H Method 516.8 Procedure I
Vibration	MIL-STD-810H Method 514.8 Procedure I	IP rating	IP65
Certification			
Certification	CE, FCC		
IO Ports			
USB Port	1 X USB 2.0 (M12 type) 1 X USB Type-C	Serial Port	1 x RS232 (M12 type)(Optional 422/485)
SD Card Slot	1 x Micro SD card slot	Audio	1 x Speaker
LAN	1 x LAN 10/100/1000 Mbps (M12 type)		
Mechanical			
Dimension	189.4 x 145.4 x 39.8 mm	Mounting	Panel mount VESA mount (Optional)
Enclosure	Metal Housing with Aluminum Bezel	Cooling System	Fanless Design
Power			
Power Rating	9V~24V DC (M12 type)		
Accessory			
Accessory	Quick Start Guide (Hardcopy) M12 Power Cable M12 Serial Interface Cable M12 USB/ LAN Cable I/O Protective Cap x 3		





DIMENSIONS UNIT:MM



- ❶ Power Input
- ❷ RS232
- ❸ LAN/ USB Type-A
- ❹ USB Type-C/ Micro SD Card Slot

NOTE

- 1.This is a simplified drawing and some components are not marked in detail.
- 2.Please contact our sales representative if you need further product information.
- 3.All specifications are subject to change without prior notice.
- 4.The product shown in this datasheet is a standard model.For diagrams that contain customized or optional I/ O, please contact the Winmate Sales Team for more information.

Assured Systems

Assured Systems is a leading technology company with over 1,500 regular clients in 80 countries, deploying over 85,000 systems to a diverse customer base in 12 years of business. We offer high-quality and innovative rugged computing, display, networking and data collection solutions to the embedded, industrial, and digital-out-of-home market sectors.

US

sales@assured-systems.com

Sales: +1 347 719 4508
Support: +1 347 719 4508

1309 Coffeen Ave
Ste 1200
Sheridan
WY 82801
USA

EMEA

sales@assured-systems.com

Sales: +44 (0)1785 879 050
Support: +44 (0)1785 879 050

Unit A5 Douglas Park
Stone Business Park
Stone
ST15 0YJ
United Kingdom

VAT Number: 120 9546 28
Business Registration Number: 07699660